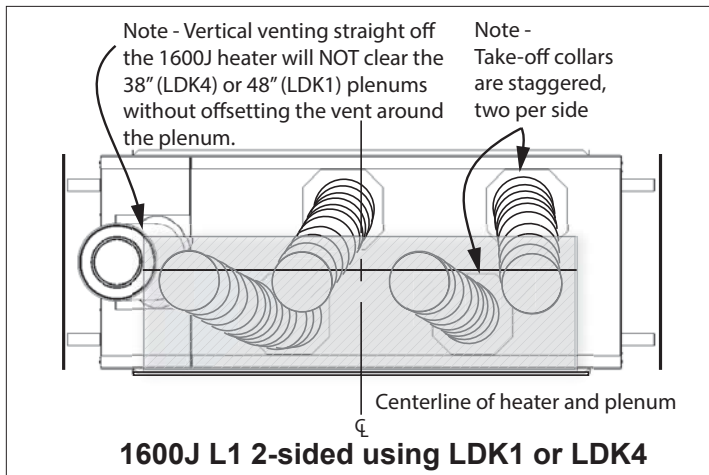
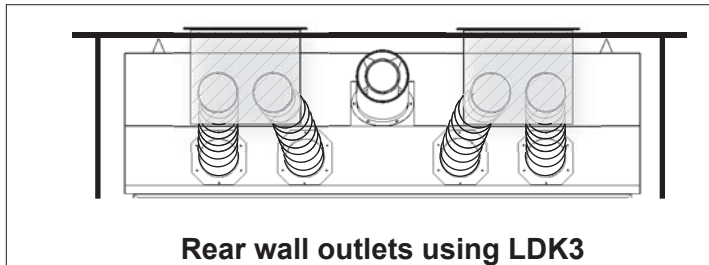
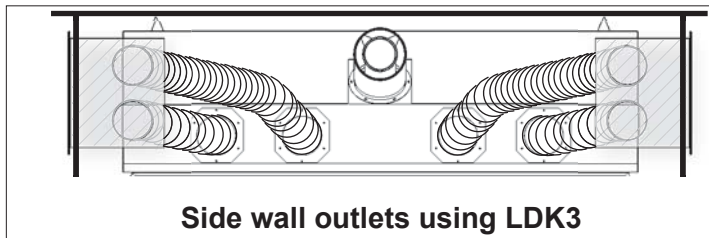
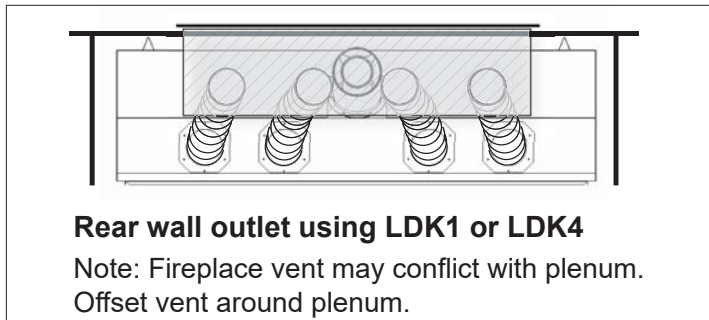
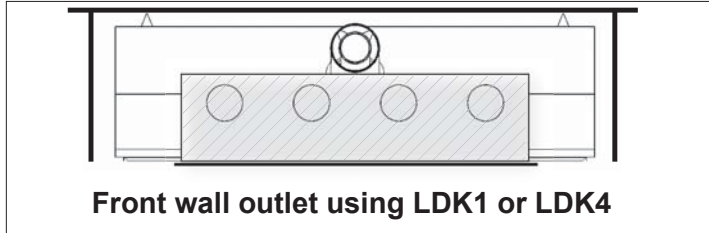


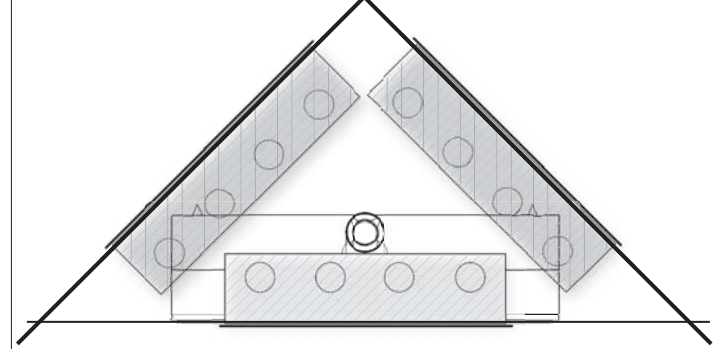
Suggested Configurations Not to scale



⚠ WARNING

This duct kit is approved for **horizontal discharge ONLY**. **DO NOT** install plenum in floor or ceiling. **DO NOT COVER OR PLACE** objects in front of air outlet(s). **AVOID** locating outlet within 7 feet of the floor level as discharge air temperatures are hot! **DO NOT DISCHARGE OUTDOORS.**

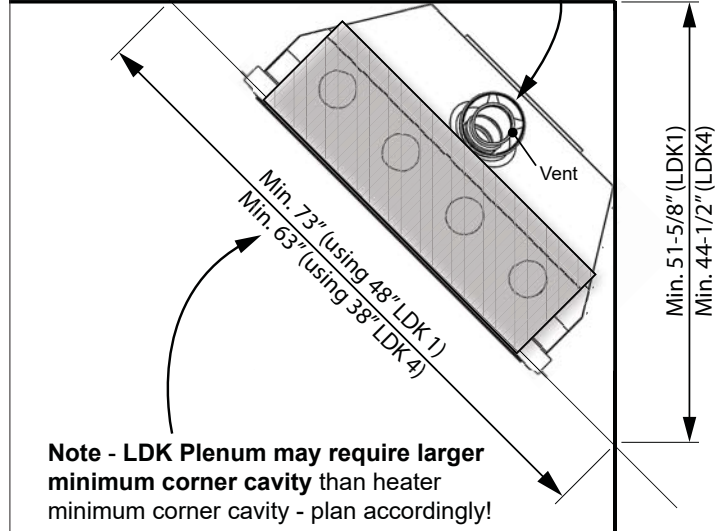
Linear Series corner installations except 1600J



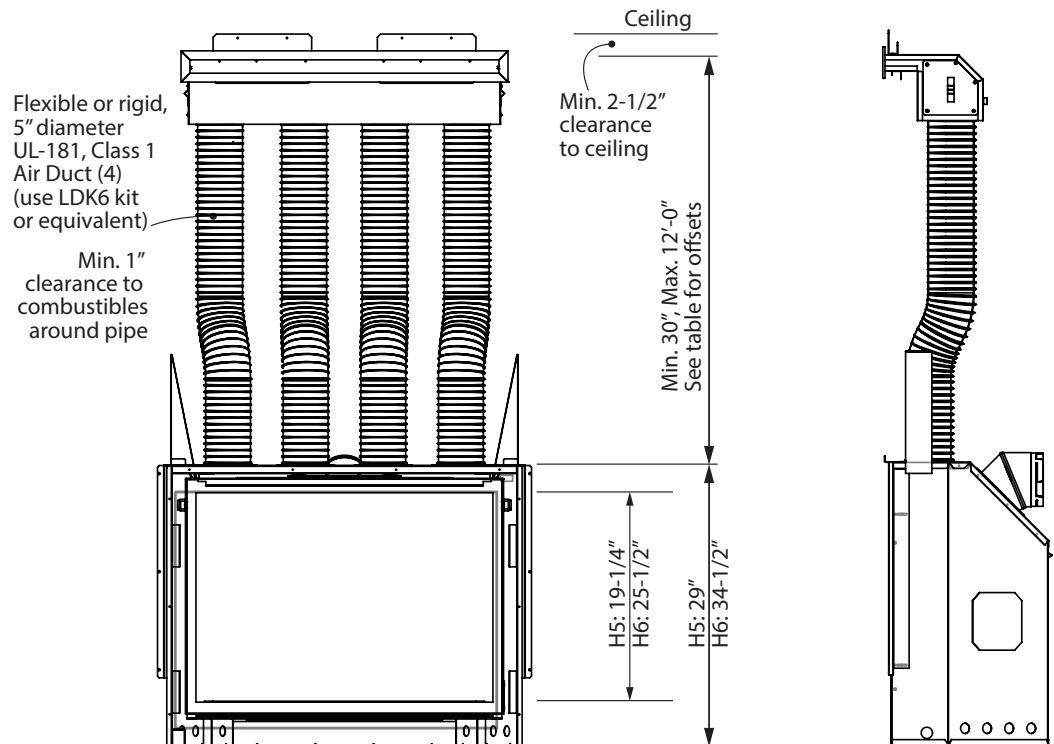
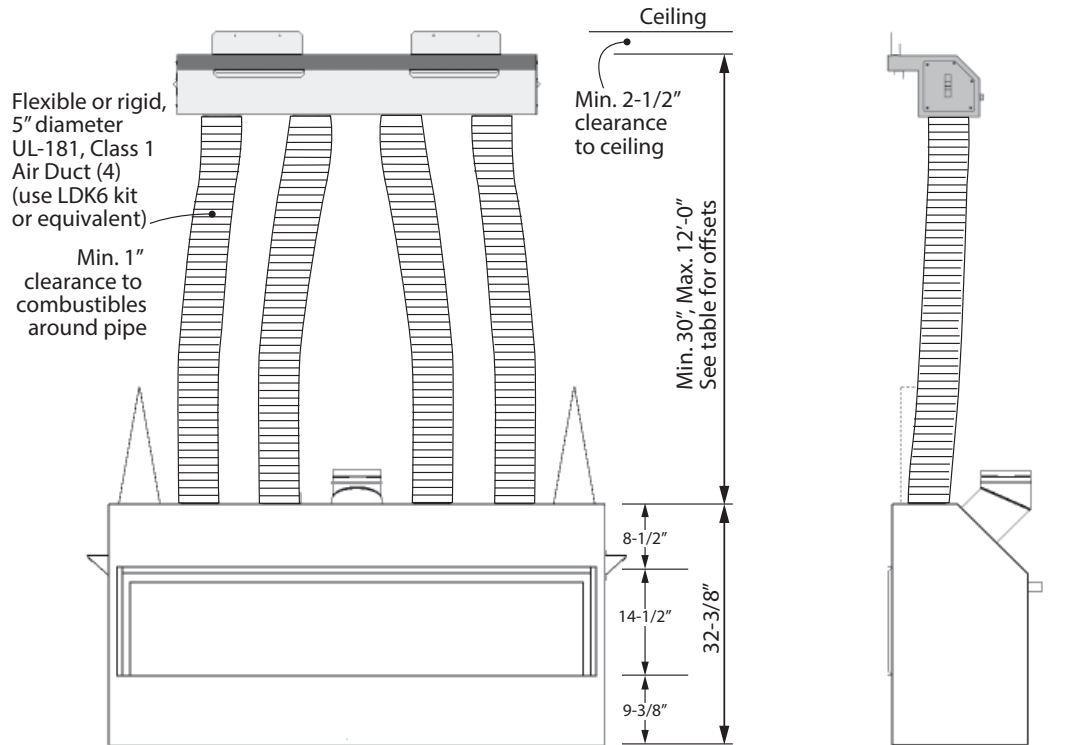
Linear* corner installations with front or rear wall outlet using LDK1, LDK3 or LDK4 (*except 1600J)

H Series corner installations

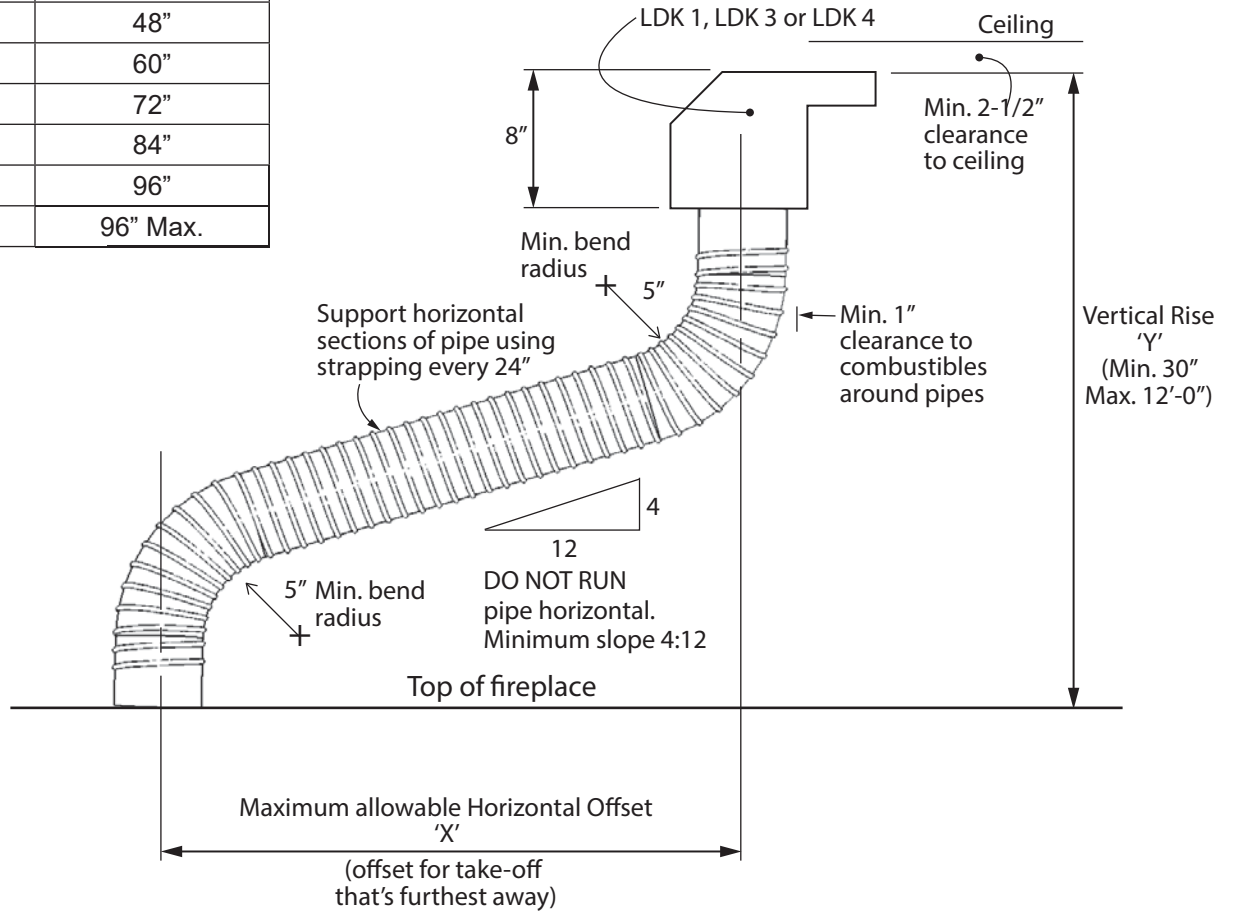
Note - Vertical venting straight off the H6 heater will clear plenum without having to offset venting. H5 heaters will require venting to offset around plenum.



Overview (applies to all kits and listed appliances)



Y Vertical Rise	X Max. Allowable Horizontal Offset
30"	24"
36"	36"
42"	48"
48"	60"
54"	72"
60"	84"
66"	96"
12'-0"	96" Max.



Plenums Dimensions

