

HeatShift™

KEEPS YOUR TV, ART,
WALLS AND FINISHES—
COOLER.



valor Radiant
Gas Fireplaces

PLANNING FOR HEATSHIFT

As the original creators of HeatShift, we pride ourselves in offering the safest, easiest and most efficient HeatShift.

THE WALL ISN'T HOT
SO WE CAN HANG
OUR NEW TV HERE.

DID YOU KNOW THAT IF
THE POWER GOES OUT,
WE STILL HAVE HEAT?



LX2 CORNER
SIDE WALL HEATSHIFT

Proudly made in North America.

Copyright Miles Industries Ltd. 2020
Designed and manufactured by Miles Industries Ltd.

Valor fireplaces create two types of heat: radiant and convective heat. **Radiant heat** warms everyone and everything in its path in the room.

Convective heat naturally rises, potentially cracking wall finishes, or damaging art or TV above the fireplace.

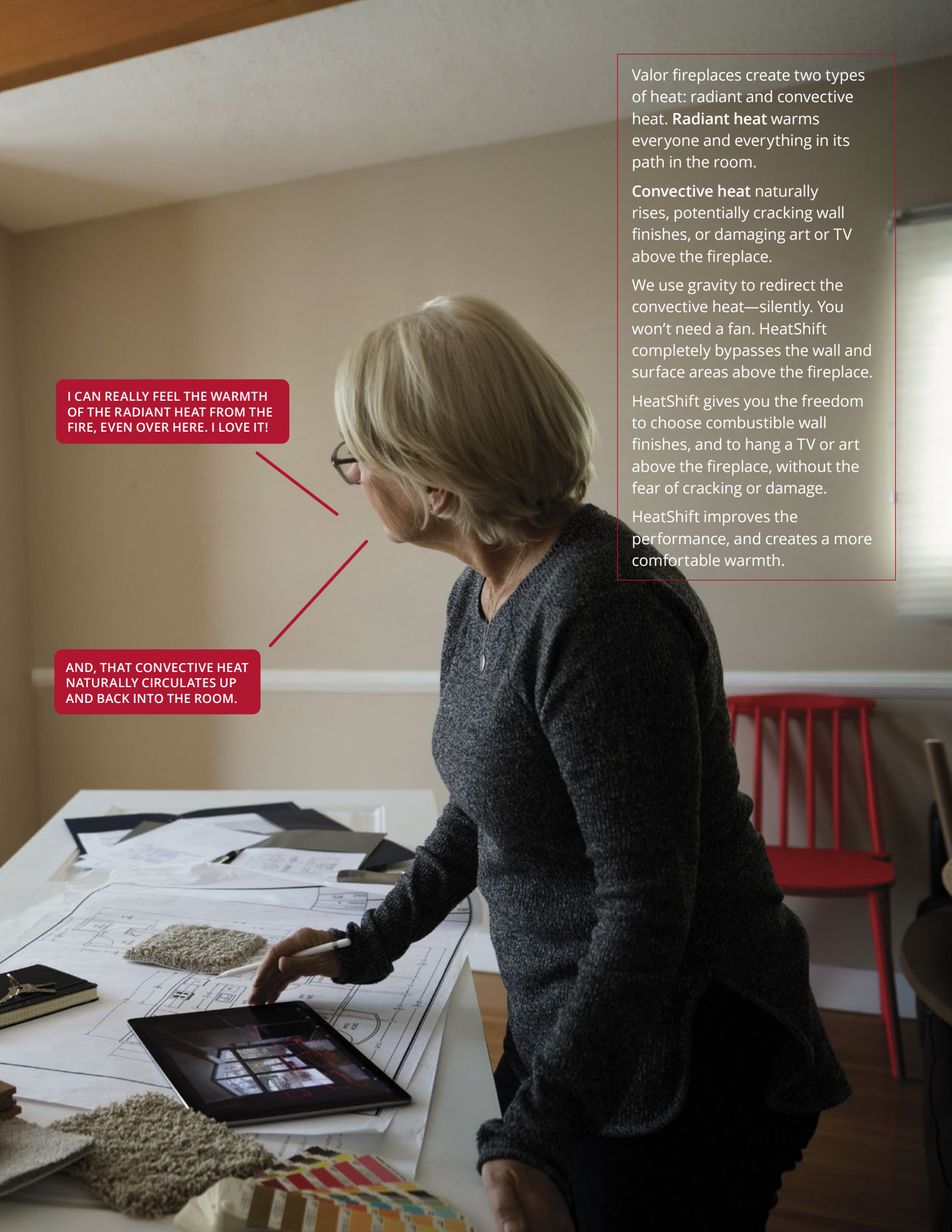
We use gravity to redirect the convective heat—silently. You won't need a fan. HeatShift completely bypasses the wall and surface areas above the fireplace.

HeatShift gives you the freedom to choose combustible wall finishes, and to hang a TV or art above the fireplace, without the fear of cracking or damage.

HeatShift improves the performance, and creates a more comfortable warmth.

I CAN REALLY FEEL THE WARMTH OF THE RADIANT HEAT FROM THE FIRE, EVEN OVER HERE. I LOVE IT!

AND, THAT CONVECTIVE HEAT NATURALLY CIRCULATES UP AND BACK INTO THE ROOM.



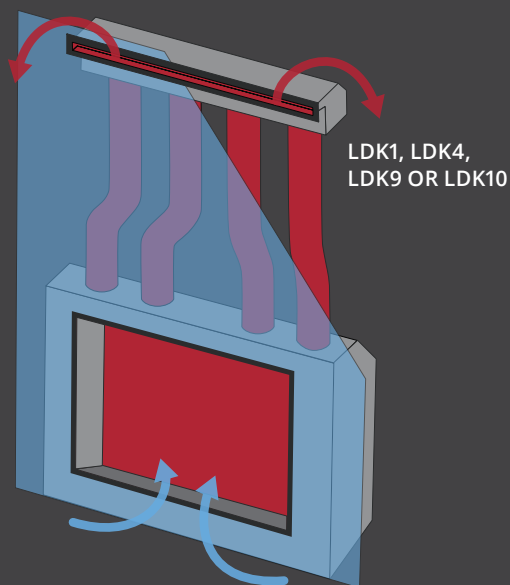
HEATSHIFT OPTIONS

Your dealer can help you select the best HeatShift option for you.



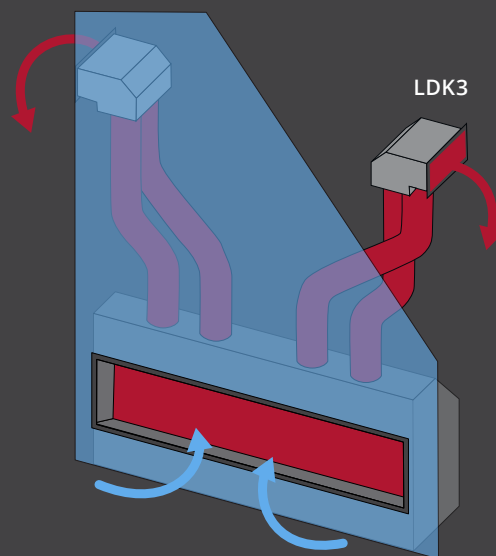
FRONT

The front plenums provide convective heat above the fireplace on the wall. You can practically see the heat circulating.



SIDE

Side grille(s) allows convective heat to circulate from the side(s), keeping a clean look above fireplace, distributing convective in a wider area.



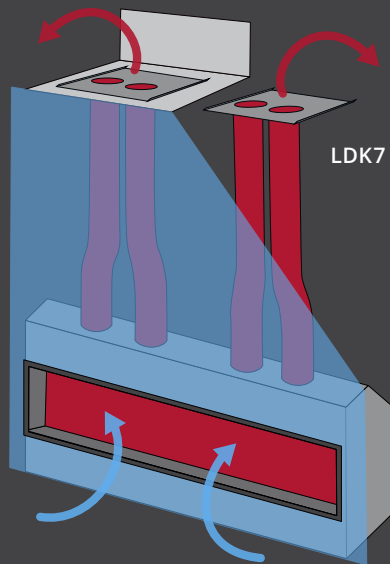
HeatShift naturally delivers up to 125 cubic feet of hot air per minute—without a fan!

Tip: paint the plenum or grille the wall color to make it "disappear".



TOP VALANCE (HIDDEN)

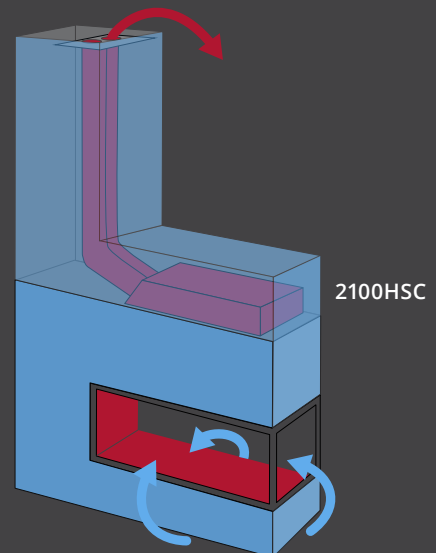
A valance allows the convective heat to circulate from the top, hiding the opening. Creates an architectural feel to the wall and clean look on front wall.



With HeatShift, you can hang a TV on the wall or inset it—your choice.

PONY WALL: LX1 ONLY

Specifically designed for the LX1 Pier, the canopy HeatShift allows you to build a pony wall, creating a more open feel in a room. Unique to Valor.



Installing the LX1 Pier but not a pony wall? Choose a front, side or valance option instead.



HEATSHIFT FRAMING FOR LX

STEEL FRAMING KIT

If you decide to install a custom LX multisided fireplace, consider our optional steel framing kit, built to accommodate both front and side HeatShift options.

Easy to set up, the kits take the guesswork out of framing your new fireplace—builders, architects and designers appreciate them too.

LX2 STEEL FRAMING KIT



NEW LX1 STEEL FRAMING KIT



REMOTE BLOWER

MULTI-ZONE HEATING

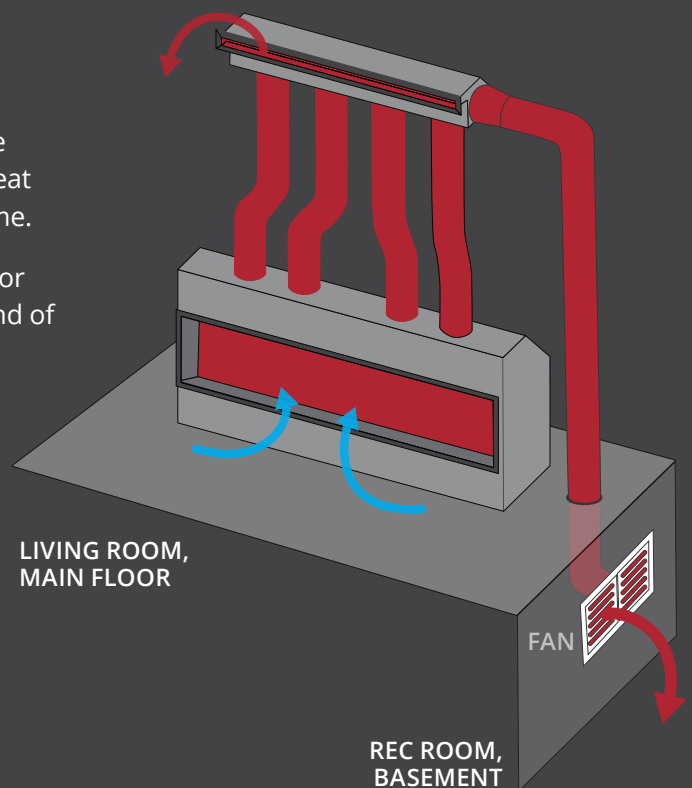
Looking to heat other areas in your home? Valor's Remote Blower option (1270RBK) provides distribution of heat, redirecting heatshift heat to other areas of your home such as bedrooms, hallways or utility rooms.

Multi-zone heating targets specific areas that you frequent the most—where you want it, when you want.

The Remote Blower fan connects directly to both 38" and 48" Front Wall Plenums,

moving heat to separate spaces for multi-zone heat management in the home.

Zone heating with a Valor delivers the perfect blend of radiant and convective warmth while being more economical and efficient.



OPTIONS

Heatshift options		HeatShift required		HeatShift recommended*		
		LX1 PIER	LX2	L1	L2, L3, H6, H5	H3
Front plenum, 30"	LDK9	✓		✓		
Front plenum, 30"	LDK10					✓
Front plenum, 48"	LDK1				✓	
Front plenum, 38"	LDK4	✓	✓	✓	✓	
Side grilles, two	LDK3	✓	✓	✓	✓	
Top hidden valance	LDK7	✓	✓	✓	✓	

*If you select the Clean Install front (CIK) with fine mesh screen on the Linear Series, HeatShift is required to keep wall cooler.

Other options

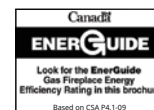
Pony Wall canopy with valance	2100HSC	Grille option available
Steel Framing kit, LX1 Pier exclusive	2100SFK	
Steel Framing kit, LX2 exclusive	2200SFK	
Remote blower	1270RBK	

⚠ WARNING

This product can expose you to chemicals including Benzene, which is known to the State of California to cause cancer and birth defects or other reproductive harm.

For more information go to www.P65Warnings.ca.gov

Note: Natural gas, in its original state, contains Benzene.



CERTIFIED TO ANSI Z21.88/CSA 2.33 VENTED GAS FIREPLACE HEATER
AMERICAN NATIONAL STANDARD. CGA-2.17-91 GAS FIRED
APPLIANCES FOR USE AT HIGH ALTITUDES.

L3
TOP VALANCE (HIDDEN) HEATSHIFT

With HeatShift, run combustible finishes right up to the fireplace—tile, drywall and even wood!



valor Radiant Gas Fireplaces