



H6 Series



DV ZC Gas Fireplaces 1400JN (natural gas) & 1400JP (propane gas)

Installation & Owner's Manual

DANGER



HOT GLASS WILL CAUSE BURNS.

DO NOT TOUCH GLASS UNTIL COOLED.

NEVER ALLOW CHILDREN TO TOUCH GLASS.

A barrier designed to reduce the risk of burns from the hot viewing glass is provided with this appliance and shall be installed for the protection of children and other at-risk individuals.

INSTALLER
Leave this manual with the appliance.

CONSUMER
Retain this manual for future reference.

Please read this manual BEFORE installing and operating this appliance.

WARNING

FIRE OR EXPLOSION HAZARD

Failure to follow safety warnings exactly could result in serious injury, death, or property damage.

- Do not store or use gasoline or other flammable vapors and liquids in the vicinity of this or any other appliance.
- **WHAT TO DO IF YOU SMELL GAS**
 - Do not try to light any appliance.
 - Do not touch any electrical switch; do not use any phone in your building.
 - Leave the building immediately.
 - Immediately call your gas supplier from a neighbor's phone. Follow the gas supplier's instructions.
 - If you cannot reach your gas supplier, call the fire department.
- Installation and service must be performed by a qualified installer, service agency or the gas supplier.

This manual contains instructions to install the **ENGINE ONLY**. A trim kit is **REQUIRED** to complete the installation. A barrier screen is provided with the trim kit. **Refer to the manual supplied with the trim for installation.**

This appliance may be installed in an after-market permanently located, manufactured (mobile) home where not prohibited by local codes.

This appliance is only for use with the type of gas indicated on the rating plate. This appliance is not convertible for use with other gases, unless a certified kit is used.

This appliance is a domestic room-heating appliance. It must not be used for any other purposes such as drying clothes, etc.

This appliance is suitable for installation in a bedroom or bed sitting room.

Ce guide est disponible en français sur demande.

Table of Contents

FOR THE OWNER

Safety Precautions	3
Safety and Your Fireplace	4
Owner's Information	5
Annual Inspection	6
Operating Your Fireplace for the First Time	7
Cleaning Your Fireplace	7
Checking Pilot and Burner Flames	9
Replacing Batteries	9
Using Handset Wall Holder.....	10
Locating Lighting, Operation and Rating Information Card.....	10
Servicing Your Fireplace.....	10
Operating Your Fireplace.....	10
How to Turn Your Fireplace OFF (including pilot)....	10
How to Ensure Your Fireplace Cannot Be Turned ON Inadvertently	11
Remote Control Operation	12
Wall Switch Operation	17
Kits & Accessories	18
Lighting Instructions	19
Warranty	73

FOR THE QUALIFIED INSTALLER

Commonwealth of Massachusetts	20
Specifications	22
Overview	23
Dimensions & Location	24
Mantel & Hearth Clearances	25
Hearth Requirements	27
Framing Requirements	30
Venting	34
Co-axial Venting	35
Co-linear Venting	39
Installation Planning	41
Appliance Height in Framing	41
Appliance Depth in Framing	41
Plan Wall Finish	42
Installation	44
Unpack Appliance	44
Fit Standoffs	44
Remove Heat Shield.....	44
Convert from Top to Rear Outlet (if required)	44
Remove Window	45
Fit optional LDK HeatShift Duct Kit's take-off collars to appliance (if used).....	45
Install Appliance for 1430 Fixed Framing Kit	46
Install Appliance for 3 and 4-Sided Surrounds	50
Install Electrical Wiring (if necessary)	53
Connect Gas Supply.....	54
Install Liners	55
Install Driftwood Kit 1400DWK	56
Install Decorative Glass Murano 1400DGM	58
Install Decorative Glass Set 1400DGS.....	59
Install Traditional Log Kit 1400LSK.....	60
Refit Window	64
Install Remote Battery and Wall Switch Kit RBWSK (required).....	65
Initialize Remote Control	67
Check Operation.....	68
Adjust Aeration if needed (Natural gas only)	68
Install Surround and Barrier Screen	69
Install Remote Control Handset Wall Holder	69
Wiring Diagram	70
Approved Venting Components	71
Warranty	73
Spare Parts	74
Index	78

Warranty Card at the back of this manual.



Massachusetts: The piping and final gas connection must be performed by a licensed plumber or gas fitter in the State of Massachusetts. Also, see Carbon Monoxide Detector requirements on page 20.



We recommend that our gas hearth products be installed and serviced by professionals who are certified in the U.S. by the National Fireplace Institute® (NFI) as NFI Gas Specialists.

The information contained in this installation manual is believed to be correct at the time of printing. Miles Industries Ltd. reserves the right to change or modify any information or specifications without notice. Miles Industries Ltd. grants no warranty, implied or stated, for the installation or maintenance of your heater, and assumes no responsibility for any consequential damage(s).

Designed and Manufactured by / for Miles Industries Ltd.
190-2255 Dollarton Highway,
North Vancouver, BC, CANADA V7H 3B1
Tel. 604-984-3496 Fax 604-984-0246
www.valorfireplaces.com



Safety Precautions

READ and **UNDERSTAND** all instructions carefully before starting the installation. **FAILURE TO FOLLOW** these installation instructions may result in possible fire hazard and will void the warranty.

Prior to the first firing of the fireplace, **READ** the Owner's Information section of this manual.

DO NOT USE this appliance if any part has been under water. Immediately, **CALL** a qualified service technician to inspect the unit and to replace any part of the control system and any gas control that has been under water.

THIS UNIT IS NOT FOR USE WITH SOLID FUEL.

Installation and repair should be **PERFORMED** by a qualified service person. The appliance and venting system should be **INSPECTED** before initial use and at least annually by a professional service person. More frequent cleaning may be required due to excessive lint from carpeting, bedding, etc. It is **IMPERATIVE** that the unit's control compartment, burner, and circulating air passageways **BE KEPT CLEAN** to provide for adequate combustion and ventilation air.

Always **KEEP** the appliance clear and free from combustible materials, gasoline, and other flammable vapors and liquids.

NEVER OBSTRUCT the flow of combustion and ventilation air. Keep the front of the appliance **CLEAR** of all obstacles and materials for servicing and proper operation.

This unit **MUST** be used with a vent system as described in this installation manual. **NO OTHER** vent system or components **MAY BE USED**.

This gas fireplace and vent assembly **MUST** be vented directly to the outside and **MUST NEVER** be attached to a chimney serving a separate solid fuel burning appliance. Each gas appliance **MUST USE** a separate vent system. Common vent systems are **PROHIBITED**.

INSPECT the external vent cap on a regular basis to make sure that no debris, plants, trees, shrubs are interfering with the air flow.

TURN OFF the gas before servicing this appliance. It is recommended that a qualified service technician perform an appliance check-up at the beginning of each heating season.

DO NOT use this heater as a temporary source of heat during construction.

State of California. Proposition 65 Warning. Fuels used in gas, wood-burning or oil fired appliances, and the products of combustion of such fuels, contain chemicals known to the State of California to cause cancer, birth defects and other reproductive harm. California Health & Safety Code Sec. 25249.6.

Due to the high temperature, the appliance should be **LOCATED** out of traffic areas and away from furniture and draperies.

Clothing or flammable material **SHOULD NOT BE PLACED** on or near the appliance.

This appliance is a **DOMESTIC ROOM-HEATING APPLIANCE**. It must not be used for any other purposes such as drying clothes, etc.

DO NOT place furniture or any other combustible household objects within 36" of the fireplace front.

BE CAREFUL not to put any decorating objects sensitive to heat to close above or around the fireplace as it gets very hot when operating.

The glass door assembly **MUST** be in place and sealed before the unit can be placed into safe operation.

DO NOT OPERATE this appliance with the glass door removed, cracked, or broken. Replacement of the glass door should be performed by a licensed or qualified service person. **DO NOT** strike or slam the glass door.

The glass door assembly **SHALL ONLY** be replaced as a complete unit, as supplied by the fireplace manufacturer. **NO SUBSTITUTE** material may be used.

DO NOT USE abrasive cleaners on the glass door assembly. **DO NOT ATTEMPT** to clean the glass door when it is hot.

A BARRIER DESIGNED TO REDUCE THE RISK OF BURNS from the hot viewing glass is provided with this appliance and **SHALL BE INSTALLED** for the **PROTECTION OF CHILDREN** and other **AT-RISK INDIVIDUALS**.

If the barrier becomes damaged, the barrier **SHALL BE REPLACED** with the **MANUFACTURER'S BARRIER** for this appliance.

Any safety screen, guard or barrier removed for servicing the appliance, **MUST BE REPLACED** prior to operating the appliance.

Children and adults should be **ALERTED** to the hazards of high surface temperature and should **STAY AWAY** to avoid burns or clothing ignition.

YOUNG CHILDREN should be **CAREFULLY SUPERVISED** when they are in the same room as the appliance. Toddlers, young children and others may be susceptible to **ACCIDENTAL CONTACT BURNS**. A physical barrier is recommended if there are at-risk individuals in the house. To restrict access to a fireplace or stove, **INSTALL AN ADJUSTABLE SAFETY GATE** to keep toddlers, young children and other at-risk individuals out of the room and away from hot surfaces.

! Safety and Your Fireplace

Please Read and Carefully Follow all Safety Warnings and Operating Instructions Contained in Your Owner's Manual

(Replacement Manuals are available by contacting our service department at 1-800-468-2567 or visit www.valorfireplaces.com).

Please Follow These Important Child Safety Precautions and Recommendations,

- Parts of your Valor Fireplace become **extremely hot** while in operation.
- The glass viewing **window temperature can exceed 500 F** at full capacity. Momentary contact with a hot glass surface can **cause a severe burn**, even if the fireplace is operating at reduced heating capacity.
- **The glass window will remain hot** for an extended period of time after the fireplace has been turned off. Ensure that children are prevented from touching the fireplace during the cool down period.
- **Toddlers and Young Children must be closely supervised at all times** when they are in the same room as the operating fireplace. They lack full awareness of danger and rely on your protection. Toddlers, in particular, do not have the motor



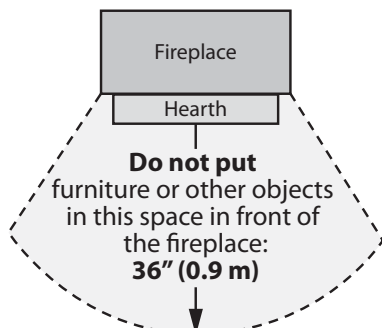
skills and response reflexes to withdraw in the event of accidental contact with a hot surface.

- **A physical barrier is strongly recommended** if there are young children, or at-risk individuals in the house. Install an approved after-market safety gate to keep toddlers, young children and other at-risk individuals a safe distance from the fireplace.
- **Keep the remote control handset out of reach of children at all times.** A wall mount storage holster is provided with your remote control handset.
- **Ensure that the fireplace, including the pilot light, is completely turned off** when children are present and close supervision and safety barriers are not available—see pages 10–11 of *Owner's Information* section.
- If the fireplace is not going to be used for the summer or any extended period of time, **remove the batteries from the remote control handset and receiver.** It is recommended that batteries are replaced annually in any event—see pages 9–10.

⚠ WARNING

EXTREMELY HOT!!!

- **READ the SAFETY information on pages 3 and 4 of this manual BEFORE operating your gas heater.**
- Some parts of your fireplace are **EXTREMELY HOT**, particularly the **GLASS** window.
- **DO NOT LET CHILDREN** touch the glass or any parts of your fireplace **even after it is turned off** as it is still hot.
- **USE THE BARRIER SCREEN** provided with the trim or a **GATE** to reduce the risk of severe burns.
- Keep the remote control handset **OUT OF REACH** of children.
- **HOT WALL SURFACES!** The wall directly above the fireplace is **VERY HOT** when the fireplace heats. It is constructed of non-combustible materials and although safe, it may reach temperatures **in excess of 200° F** depending on choice of trims or optional accessories. **DO NOT TOUCH! We recommend installing the optional LDK HeatShift Duct Kit when hot walls are a concern.**
- **HOT HEARTH/FLOOR SURFACE!** The hearth or floor directly in front of the fireplace is **VERY HOT** when the fireplace heats. Even if constructed of non-combustible materials, and although safe, it may reach temperatures **in excess of 200° F** depending on choice of materials. **DO NOT STEP ON IT!**
- Some materials or items, although safe, may discolor, shrink, warp, crack, peel, and so on because of the heat produced by the fireplace. **AVOID PLACING** candles, paintings, photos, and other items **SENSITIVE TO HEAT** within 36 inches (0.9 m) around the fireplace.
- Solid wood flooring in front of the fireplace (if allowed) may shrink during the heating season due to heat.



Thank You ...

For purchasing a Valor by Miles Industries. Your new radiant gas heater is a technical appliance that must be installed by a qualified dealer. Each Valor fireplace is fully tested during the production process for your safety and comfort.

Your unit has been professionally installed by:

Dealer Name: _____

Phone Number : _____

Should you encounter an operational problem, call your dealer immediately.

Do not try to repair the unit as you may cause an injury or damage the fireplace.

This manual and particularly the preceding and following pages contain very important information regarding the safe operation of your fireplace as well as maintenance instructions.

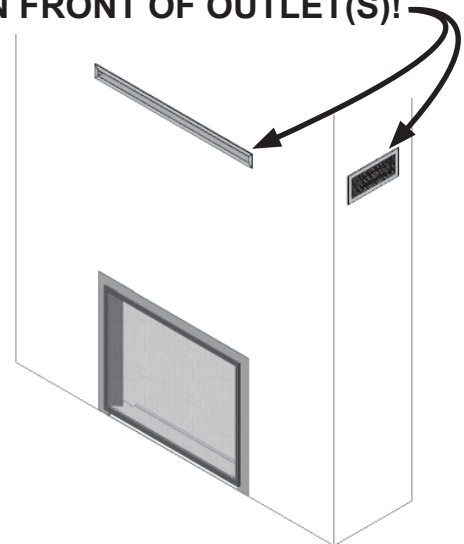
Read carefully BEFORE operating your fireplace and pay special attention to the SAFETY WARNINGS.

A heating gas appliance does require safe handling and for this reason, we very strongly recommend that no children be allowed to touch the fireplace and its controls at all times. **Do install a screen or barrier in front of the fireplace to protect your children against severe burns.**

This appliance is designed and approved as a supplemental heater and provides the potential for most energy conservation when used while attended. The use of an alternate primary heat source is advisable.

⚠ WARNING

If fitted with optional LDK HeatShift Duct Kit, **DO NOT COVER OR PLACE ITEMS IN FRONT OF OUTLET(S)!**



Annual Inspection

In order to maintain the safe operation of your fireplace, contact your dealer to have a qualified technician go over the list below and make the necessary verifications at least once every year.

Annual Inspection List for a Safe Operation—to be performed by a qualified technician only

	1. Inspect and operate the pressure relief mechanism to verify relief mechanisms are free from obstruction to operate—see <i>Cleaning Your Fireplace: To refit the window</i> section of this manual.
	2. Clean glass window with a suitable fireplace glass cleaner. Abrasive cleaners must not be used. Be careful not to scratch the glass when cleaning—see <i>Cleaning Your Fireplace</i> section of this manual.
	3. Inspect the operation of the flame safety system Pilot or Flame rectification device.
	4. Inspect and ensure the lighting of the main burner occurs within 4 seconds of the main gas valve opening. Visual inspection should match that outlined in the appliance instruction manual. Inspect primary air openings for blockage—see <i>Checking Pilot and Burner Flame</i> section of this manual.
	5. Inspect condition of vent and vent terminal for sooting or obstruction and correct if present.
	6. Vacuum and clean any debris in the firebox that is not supposed to be there.
	7. Test and measure the flame failure response time of the flame safety system. It must de-energize the safety shutoff in no more than 30 seconds.
	8. Check all accessible gas-carrying tubes, connections, pipes and other components for leaks—see <i>Set up Gas Supply</i> section of this manual.

Operating Your Fireplace for the First Time

When operating your new fireplace for the first time, some vapors may be released due to the burning of curing compounds used in the manufacture of the appliance. They may cause a slight odor and could cause the flames to be the full height of the firebox, or even slightly higher, for the first few hours of operation.

It is also possible that these vapors could set off any smoke detection alarms in the immediate vicinity. These vapors are quite normal on new appliances. We recommend opening a window to vent the room. After a few hours use, the vapors will have disappeared and the flames will be at their normal height.

Performance of propane gas appliances may be affected by the quality of commercial gas supplied in your area.

Flame Supervision Device

For your safety, this appliance is fitted with a flame supervision device which will shut-off the gas supply if, for any reason, the pilot flame goes out. This device incorporates a fixed probe, which senses the heat from the pilot flame. If the probe is cool, the device will prevent any gas flow unless manually lighting the pilot. See full lighting instructions on page 19 of this manual.

Cleaning Your Fireplace

⚠ WARNING

DO NOT TOUCH THE GLASS WHILE IT IS HOT!
Let the fireplace cool first before cleaning it.

Important - Glass cleaning - Mineral deposits

One of the by-products of the combustion process in a gas appliance is a mineral which can show up as a white film on the ceramic glass of the viewing door. The composition of the deposit varies with location and time. It is believed to be associated with the varying sulfur content of the gas. You may have the problem intermittently.

We have consulted with ceramic glass manufacturers and they cannot offer a definitive solution to this problem. Dealers have tried various cleaning products with varying results. The following are recommendations only and are not meant to guarantee results.

NOTE: This is a problem beyond Miles Industries' control and is not covered under warranty.

- Clean the glass regularly as soon as you notice the buildup (white film). If the film is left for a longer period of time, it will etch into the glass. It is then much harder, if not impossible, to remove.

- **NEVER use an abrasive cleaner or a ammonia-based cleaner on the ceramic glass.** Any abrasion of the surface has the immediate effect of compromising the strength of the glass. An emulsion type cleaner is recommended.
- Use a soft damp cloth to apply the cleaner. Dry the glass with a soft, dry, preferably cotton cloth. Most paper towels and synthetic materials are abrasive to ceramic glass and should be avoided.
- Our dealers have had good results from the products listed below. We cannot, however, guarantee the results of these products.
 - Brasso, Polish Plus by Kelkem, Cook Top Clean Creme by Elco, White Off by Rutland, Turtle Wax

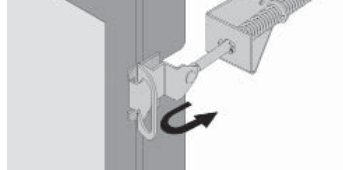

Do not clean the glass while it is hot!

Always securely replace the window and the barrier screen before lighting.

If broken, the glass pane may only be replaced as a complete window unit as supplied by the manufacturer.

If the barrier becomes damaged, the barrier shall be replaced with the manufacturer's barrier for this appliance.

To remove the window for cleaning:

1. Remove the barrier screen.
2. Remove the side panels by lifting them up slightly and pulling them sideways towards the center, sliding them out of their slots behind the trim face.
 
3. Find the levers on each side of the window towards the top. Using your finger, pull the levers towards you and unhook them from the window frame brackets.
 
4. Gently pull the top of the window outward.
5. Lift the window out of its bottom railing and set it aside in a safe place to avoid damage.

Clean the window following the guidelines in this section.

Clean the steel trims with mild soap and warm water. *Any alcohol/solvent base cleaner will weaken the coating and damage it.*

Clean the barrier screens dusting with a soft brush.

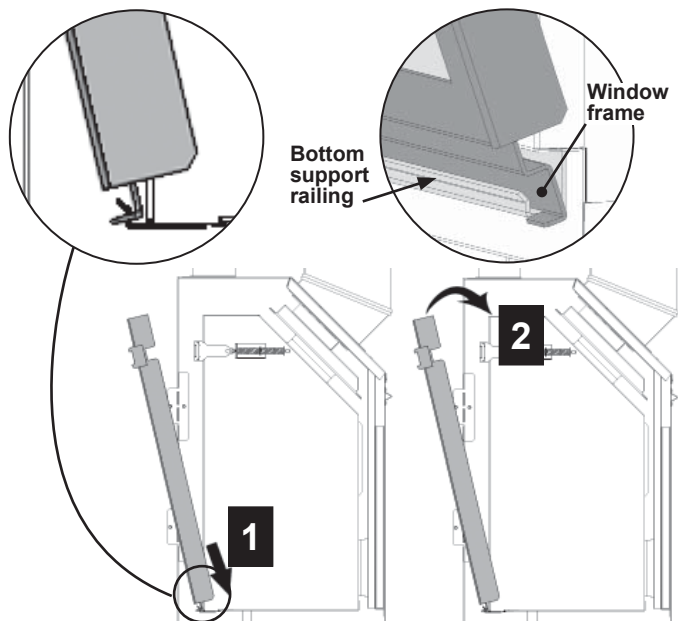
Clean the firebox ceramic logs/rocks and walls dusting them with a soft brush. Dust can also be removed from the burner using a soft brush after removing the ceramic logs. **When cleaning, make sure that no particles are brushed into the slots of the burner.**

⚠ WARNING

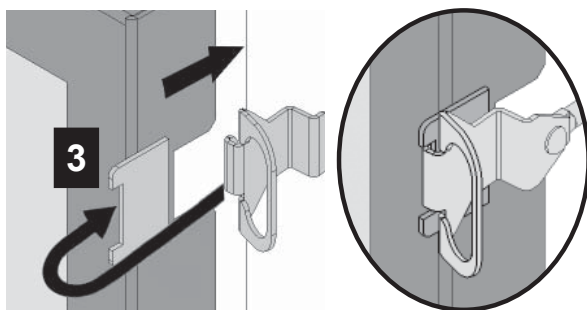
CHOKING HAZARD! Ensure that the fireplace area is clear of fireglass or shale particles as these could be ingested by small children. Vacuum thoroughly around the fireplace area after cleaning.

To refit the window:

1. Place the window in its bottom support railing. **Ensure to remove any shale or glass particles in the railing before installing the window.**
2. Push the top of the window frame against the firebox.



3. While you hold it, pull the side levers back into the window brackets on each side.



4. Apply firm hand pressure around the window frame to ensure the window is sealed tight against the firebox.

⚠ DANGER

The window unit must be correctly installed, fastened and sealed after servicing or serious bodily injury and/or damage to the appliance may result.

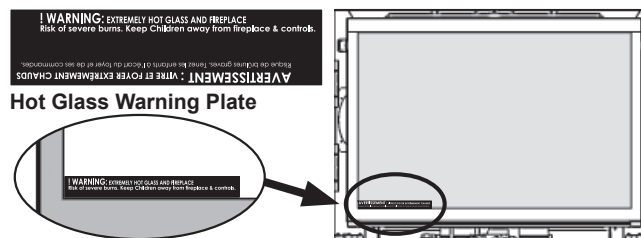
To ensure a safe operation:

- Double-check that the bottom of the window frame is correctly installed in the bottom support railing;
- Verify that the levers are hooked properly to the window tabs then;
- Pull out the top of the window and release it to insure the springs return it;
- Ensure the window is sealed before operation.

⚠ WARNING

Failure to install the window correctly can leak carbon monoxide, affect the performance of the fireplace, damage components, cause overheating resulting in dangerous conditions. Damage caused by incorrect window installation is not covered by the Valor warranty.

5. If the Hot Glass Warning plate has been removed from the front lower corner of the window, reinstall it by sliding it between the glass and the frame as indicated.



6. Reinstall the side doors sliding them sideways to insert their tabs behind the front face of the trim.
7. **Reinstall the barrier screen on the trim.** Rest the tabs on the edge of the bottom panel and push the screen against the steel front panel so the magnets contact the surface.

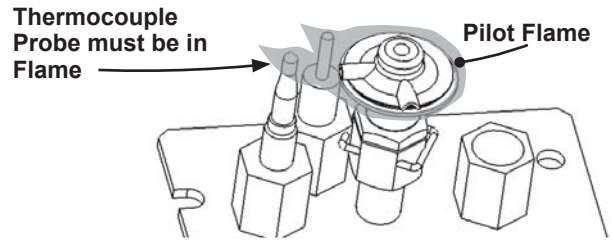
⚠ WARNING

FOR SAFETY PURPOSE, ensure the barrier screen is re-installed on the fireplace front after maintenance.

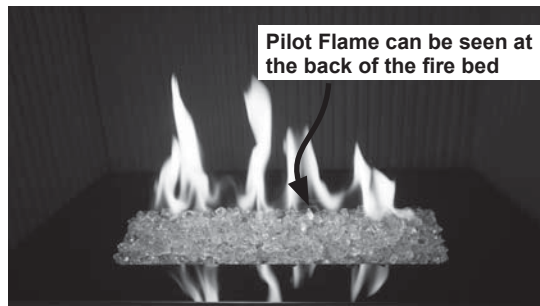
8. Verify that the screen is properly hooked and secure.

Checking Pilot and Burner Flames

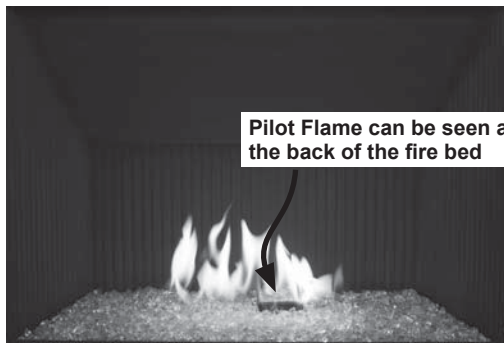
A periodic check of the pilot and burner flames should be made. Check after the fire has been on for at least 30 minutes. The pilot flame must cover the tip of the thermocouple probe. The main burner flame pattern will vary from appliance to appliance depending on the type of installation and climatic conditions.



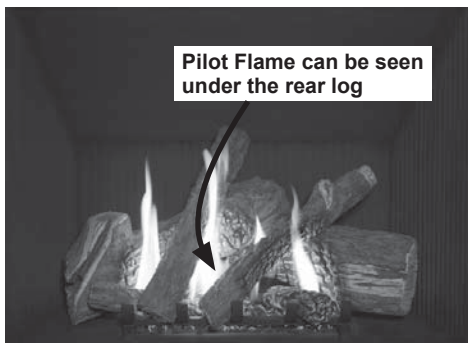
1400 Driftwood Kit—Correct Flame Picture



1400 Decorative Glass Murano—Correct Flame Picture



1400 Decorative Glass Set—Correct Flame Picture



1400 Traditional Log Set—Correct Flame Picture

The appliance area must always be kept clear and free from combustible materials, gasoline and other flammable vapors and liquids.

Inspect the vent terminal outdoors regularly to make sure that snow, trees, bushes, leaves, or other objects do not obstruct it.

Examine the vent system and terminal regularly. We recommend annually.

Replacing Batteries

⚠ WARNING

DO NOT ATTEMPT TO CHANGE THE BATTERIES WHILE THE FIREPLACE IS STILL HOT! Let the fireplace cool first before touching it.

CAUTION

DO NOT USE a screwdriver or other metallic object to remove the batteries from the receiver or the handset! This could cause a short circuit.

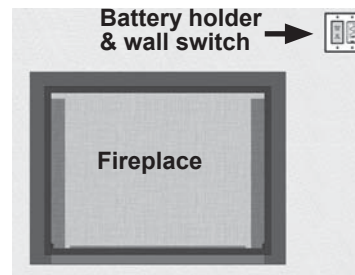
Low batteries signal: see page 17.

BEFORE changing the batteries, turn the fireplace off (including pilot).

The appliance uses four 1.5 V AA **alkaline** batteries located next to the wall switch and one 9 V **alkaline** battery in its handset. Batteries should last one to two seasons, depending on usage. Removing the batteries in the off-season will extend the battery life.

To replace the batteries:

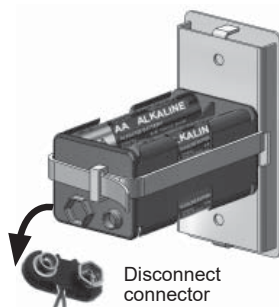
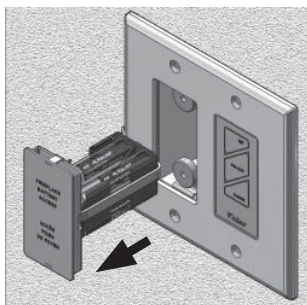
The battery compartment is located next to the wall switch in the vicinity of the fireplace. Its front plate is attached with magnets to the wall switch box.



The battery holder is located beside the wall switch.

Owner's Information

1. Pull on the plate next to the wall switch to access the batteries.
2. Disconnect the snap connector from the battery holder. **Do not pull the connector by the wire!**
3. Replace the batteries with 4 AA **alkaline** batteries orienting them as indicated inside the holder.
4. Reconnect the snap connector to the battery holder.
5. Put the battery holder back in its place beside the wall switch and snap it in place.



Using Handset Wall Holder

Your fireplace equipment includes a wall holder to store the handset. If it hasn't been installed, refer to the instructions further on in this manual for the installation.

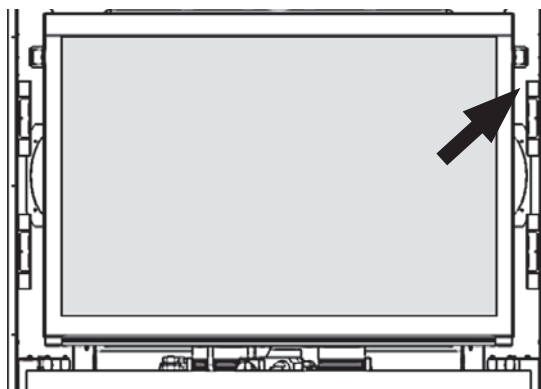


Locating Lighting, Operation and Rating Information Card

WARNING

DO NOT ATTEMPT TO TOUCH THE INFORMATION CARD WHILE THE FIREPLACE IS STILL HOT! Let the fireplace cool first before touching it.

The Lighting, Operation and Rating Information card is located at the right-hand side of the firebox.



To access the information card, remove the barrier screen and the right-hand side door. Pull it out and read the important information on both sides.

Servicing Your Fireplace

Have your fireplace serviced every year—see page 6. Contact your supplier quoting the model number. It will be helpful if the appliance's serial number can also be quoted. This number is on the rating card. The replacement parts are shown at the end of this manual. Please always quote the part number and description when requesting spare parts.

Operating Your Fireplace

There are two ways to control your fireplace.

1. Thermostatic Remote Control;
2. Wall Switch.

The Thermostatic Remote Control can be programmed to function automatically—see pages 12–17.

The Wall Switch can be used to turn on, off and to increase or decrease the flame height—see page 17.



Thermostatic Remote Control

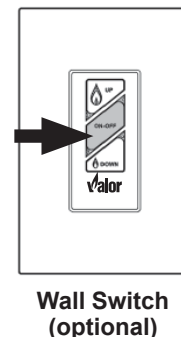
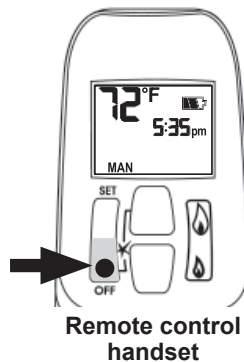


Wall Switch

How to Turn Your Fireplace OFF (including pilot)

Familiarize yourself with each of the following methods before operating your fireplace.

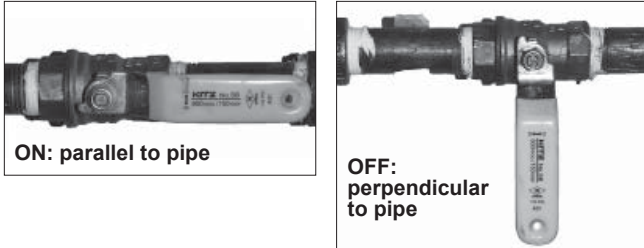
Press and hold the OFF button for a second (either on the handset or the wall switch).



If the flames are on, they go down and you hear the valve motor wind down. You hear a clunk and a beep indicating that the valve has received the signal from the remote control.

Owner's Information

As well, familiarize yourself with the gas shut-off valve location in your house. As indicated below, the gas is running when the handle is parallel with the pipe. The gas is off when the handle is perpendicular with the pipe.



- Alternately, remove all batteries from the battery holder next to the wall switch as well as the battery from the handset.

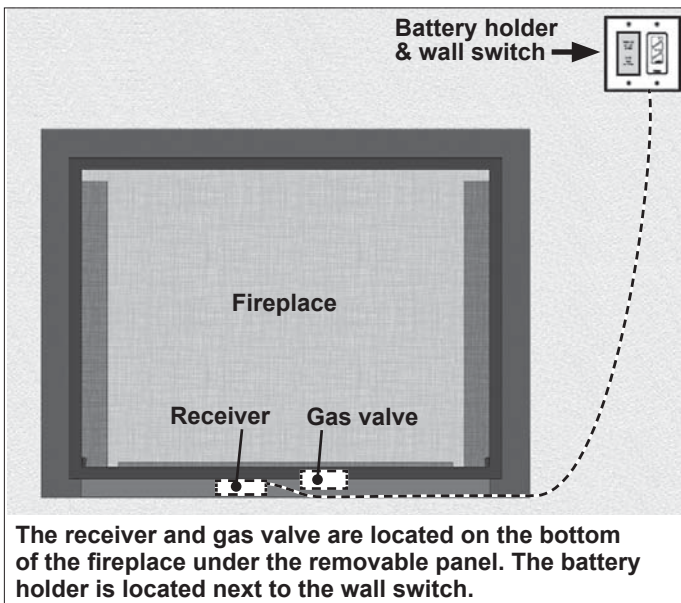
Automatic Shut-Off (in certain conditions)

Your fireplace's remote control is equipped with an automatic shut-off mechanism which is activated in certain conditions. See page 16 in the *Remote Control Operation* section for a description of this feature.

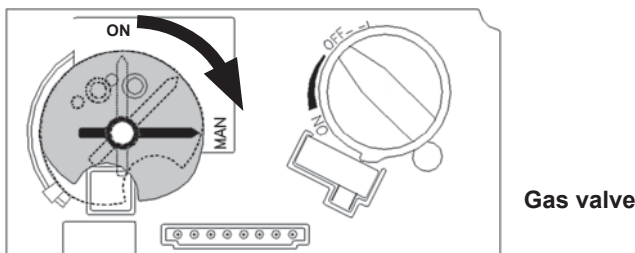
How to Ensure Your Fireplace Cannot Be Turned ON Inadvertently

You can use one of the two following methods to ensure that your fireplace will not turn on when you don't want it on.

First, ensure your fireplace is turned off—including the pilot—and cold BEFORE going ahead.



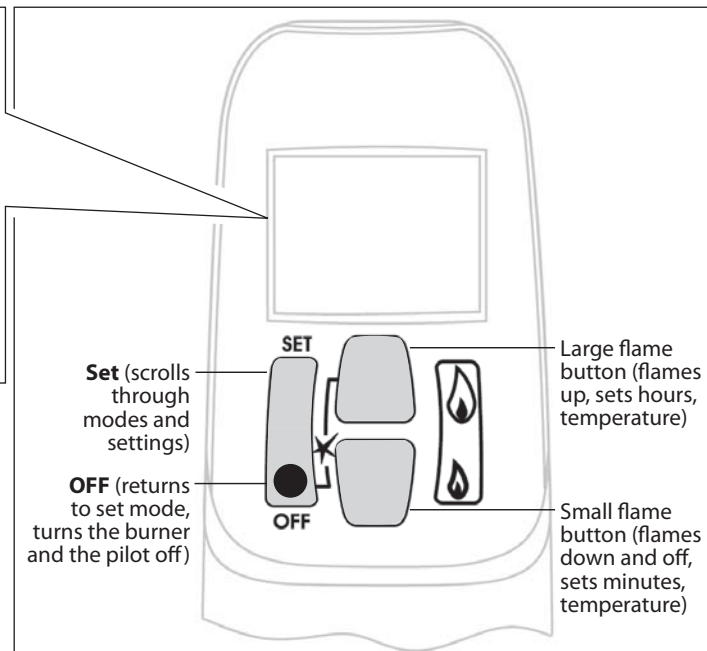
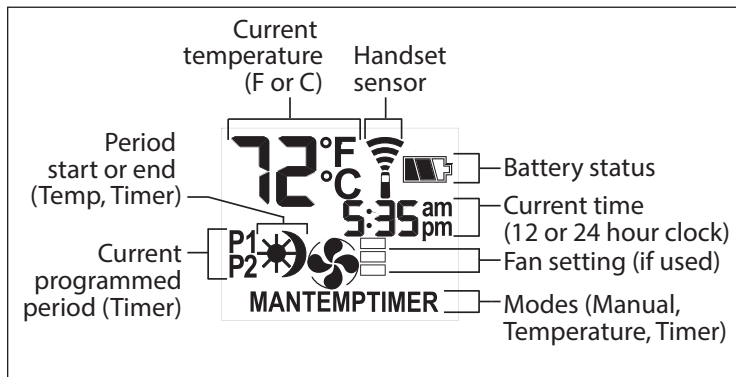
- Turn the dial on the gas valve from the ON position to the MAN position as shown. Turning the dial to MAN (arrow up) will ensure that the main burner can not come on. The pilot will remain on if it is lit.



Remote Control Operation

NOTE: Before using the remote control system for the first time, the receiver and the handset must be synchronized. See the section *Initialize Remote Control* on page 67 of this manual.

IMPORTANT: BEFORE YOU BEGIN, please note that on this system, the settings of time, temperature and automatic ON/OFF can only be programmed when the function display is flashing. Be patient when programming as it can take a few seconds to set.



Display Overview

Handset Overview

Note: In the TEMP or TIMER modes, the remote handset senses the room temperature and adjusts the flame accordingly.

To communicate, the handset should be within 15 feet (4.5 meters) of the fireplace.

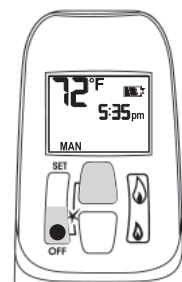
Do not leave the handset on the mantel or hearth.

TO TURN ON APPLIANCE

CAUTION

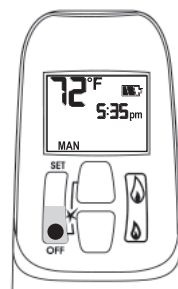
When pilot ignition is confirmed, motor turns automatically to maximum flame height.

- On the valve, turn MAN knob on the ON, full counterclockwise ↺ position.
- Place ON/OFF switch (if equipped) in I (ON position).



- Simultaneously press the OFF and 🔥 (large flame) buttons until a short beep confirms the start sequence has begun; release buttons.
- Continuing beeps confirm the ignition is in process.
- Once pilot ignition is confirmed, there is main gas flow.
- After main burner ignition the handset will automatically go into manual (MAN) control mode.

TO TURN OFF APPLIANCE



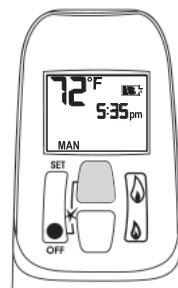
- Press OFF button.

When the pilot is off, it will take 2 minutes before it can be lit again.

STANDBY MODE (Pilot Flame)

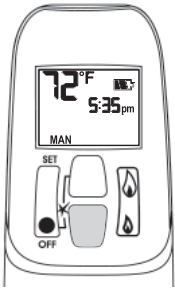
- Press and hold 🔥 (small flame) to set appliance at pilot flame.




FLAME HEIGHT ADJUSTMENT



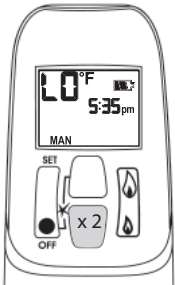
- In standby mode: Press and hold 🔥 (large flame) button to increase flame height.


Remote Control Operation

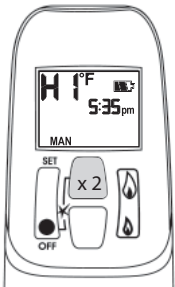



- Press and hold  (small flame) button to decrease flame height or to set the appliance at pilot flame.
- For fine adjustment tap the  (large flame) or  (small flame) buttons.

Express Low and High Fire

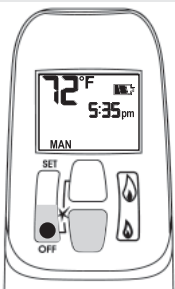



- Double-click  (small flame) button. "LO" will be displayed.
NOTE: Flame goes to high fire first before going to designated low fire.



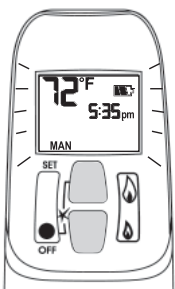
- Double-click  (large flame) button. Flame automatically goes to high fire. "HI" will be displayed.





SETTING °C/24-HOUR OR °F/12-HOUR CLOCK



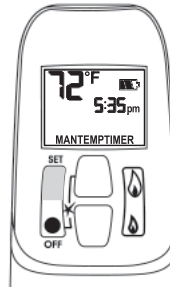
- In MAN mode, press OFF and  (small flame) buttons until display changes from Fahrenheit/12-hour clock to Celsius/24-hour clock and vice versa.

SETTING THE TIME

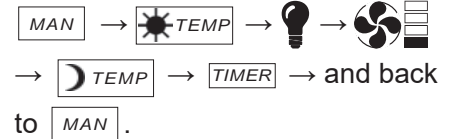




- The time display will flash after either:
 - Installing the battery or
 - Simultaneously pressing the  (large flame) and  (small flame) buttons.
- Press  (large flame) button to set the hour.
- Press  (small flame) button to set the minute.
- Press OFF or simply wait to return to MAN mode.

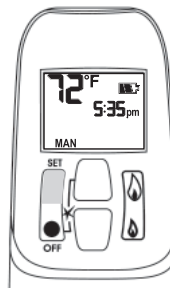
MODES OF OPERATION




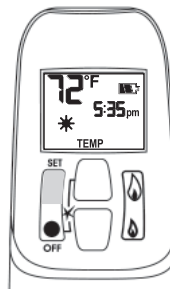
- Briefly pressing the SET button changes the mode of operation in the following order:




NOTE: Manual mode can also be reached by pressing either the  (large flame) or the  (small flame) buttons.




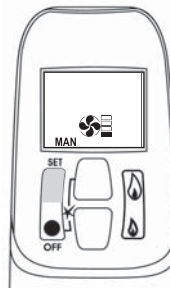
-  - **Manual Mode** - Manual Flame Height Adjustment.





-  - **Daytime Temperature Mode** (Appliance must be in standby mode; pilot ignited) - The room temperature is measured and compared to the set temperature. The flame height is then automatically adjusted to achieve the Daytime Set Temperature.



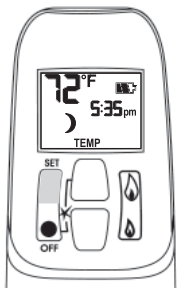
-  - **Light/Dimmer Setting Mode**
Not available on this fireplace.




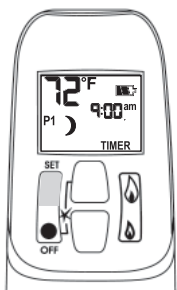
-  - **Fan Mode** - Turns fan ON and OFF and adjusts fan speed.


NOTE: To turn OFF fan press  (small flame) until all 4 speed level bars disappear.

Remote Control Operation



-  **TEMP** - **Nighttime Setback Temperature Mode** (Appliance must be in standby mode; pilot ignited) - The room temperature is measured and compared to the Nighttime Setback temperature. The flame height is then automatically adjusted to achieve the Nighttime Setback Temperature.




-  - **Timer Mode** (Appliance must be in standby mode; pilot ignited) - The timers P1 and P2 (Program 1, Program 2) each can be programmed to go ON and OFF at specific times. For instructions see Timer Programming Mode.





NOTE: The display shows the set temperature every 30 seconds.

CIRCULATING FAN OPERATION

(if equipped)

 - **Circulating Fan** - The circulating fan has 4 speed levels from low (1 bar) to high (4 bars).



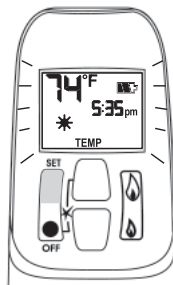
- Briefly press SET button to scroll to  (fan) mode. Fan and Level icons flash.
- Press  (large flame) button to switch ON and increase fan speed.
- Press  (small flame) button to decrease fan speed. To turn OFF fan, press  (small flame) button until all 4 speed level bars disappear.


NOTE: 8 seconds after the fan has been set, the handset will automatically go into temperature control mode. The fan starts 4 minutes after the gas opens (from OFF or from pilot) at maximum speed and goes to the displayed level after 10 seconds. The fan stops 10 minutes after the gas is OFF or at pilot.

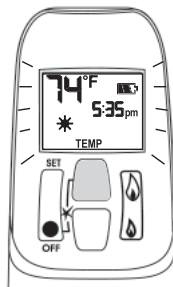
SETTING THE ON / OFF TEMPERATURES



SETTING THE “DAYTIME” TEMPERATURE

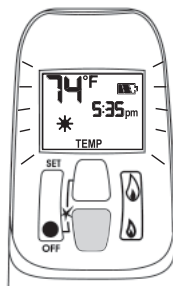
Default Settings:  **TEMP** (sun), 23°C / 74°F





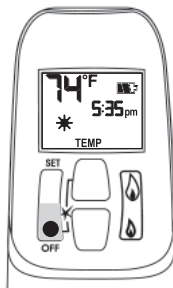
- Briefly press SET button to scroll to **TEMP**  (sun) mode. Hold the SET button until the TEMP flashes.



- Press  (large flame) button to increase the  Daytime Set Temperature.



- Press  (small flame) button to decrease  Daytime Set Temperature.



- Press OFF or simply wait to complete programming.

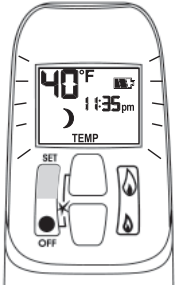
Tip


Set the different parameters when they are flashing.

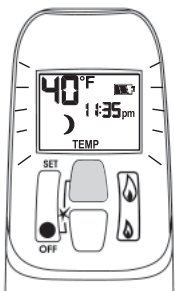
Remote Control Operation



SETTING THE "NIGHTTIME SETBACK" TEMPERATURE

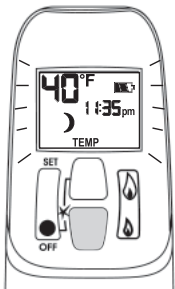
Default Settings:  TEMP (moon), "--" (OFF)





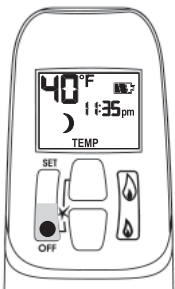
- Briefly press SET button to scroll to TEMP  (moon) mode. Hold the SET button until the TEMP flashes.



- Press  (large flame) button to increase  Nighttime Setback Temperature.






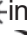
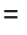







- Press  (small flame) button to decrease  Nighttime Setback Temperature.




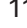


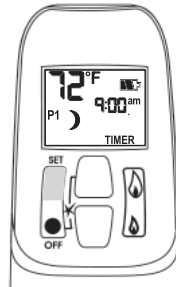
- Press OFF or simply wait to complete programming.

SETTING PROGRAM TIMERS

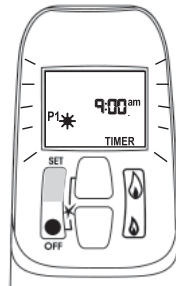
- You can program two periods of time between 12:00 am and 11:50 pm in each 24-hour cycle.
- The Programs P1 and P2 must be set in the following order during a 24-hour cycle: **P1** , **P1** , **P2**  and **P2** .
- The icon  indicates the beginning of the period (ON) and the icon  indicates the end of the period (OFF).
- If **P1**  = **P1**  or **P2**  = **P2** , the programming is cancelled.
- To keep the fireplace ON all night, set **P2**  at 11:50 am and **P1**  at 12:00 am.

Default settings:


Program 1: **P1**  6:00 am **P1**  8:00 am
 Program 2: **P2**  11:50 pm **P2**  11:50 pm

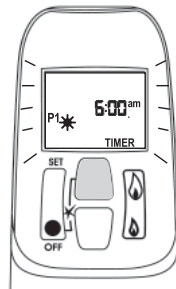



- Briefly press SET button to scroll to TIMER mode.

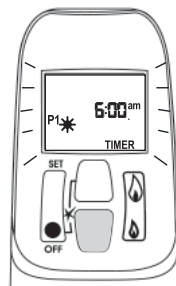



SETTING P1 ON TIME

- Hold the SET button until **P1**  (sun) is displayed and the time flashes.



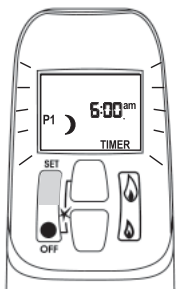
- Press  (large flame) button to set the hour.



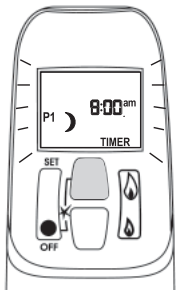
- Press  (small flame) button to set the minutes.

Remote Control Operation

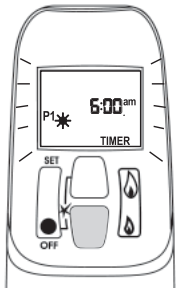
SETTING P1 OFF TIME



- Briefly press SET button to scroll to TIMER P1 ☾ (moon) while the time flashes.



- Press ☾ (large flame) button to set the hour.



- Press ☹ (small flame) button to set the minutes.

SETTING P2 ON TIME

- Briefly press SET to scroll to TIMER mode P2 ☀ (sun) while the time flashes.
- Follow the instructions given to set P1 ON time.

SETTING P2 OFF TIME

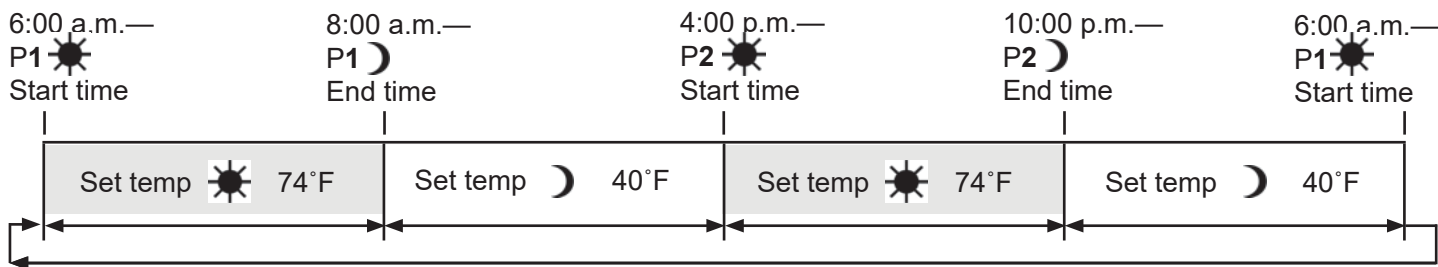
- Briefly press SET to scroll to TIMER mode P2 ☾ (moon) while the time flashes.
- Follow the instructions given to set P1 OFF time.

Press OFF button to save these settings. The timers are programmed. See the diagram on programming sequences on the following page.

Tip

If you want to program only one period, program P1 ☀ and P1 ☾ with desired times and program P2 ☀ and P2 ☾ with the same time as P1 ☾.

Timer Programming Example (default temperatures shown)



AUTOMATIC TURN DOWN

- **No communication.** If there is no communication between the receiver and the handset for a period of 6 hours, the appliance goes into pilot mode.
- **No change in flame height.** If there is no change in flame height for a period of 6 hours, the appliance goes into pilot mode.
NOTE: In **TEMP** or **TIMER** modes, the flame height will vary according to room temperature. The appliance will continue to work normally. However, if the room temperature remains the same for 6 hours, the appliance will go into pilot mode.

AUTOMATIC SHUT OFF


- **Low batteries in the receiver.** With low battery power in the receiver the system shuts off completely.
NOTE: This does not apply when the power supply is interrupted.
- **No change in pilot.** The appliance shuts off completely when it is continually in pilot position—without any change—for a period of 5 days.

Remote Control Operation

LOW BATTERY INDICATION

CAUTION

DO NOT USE a screwdriver or other metallic object to remove the batteries from the battery box or the handset! This could cause a short circuit.

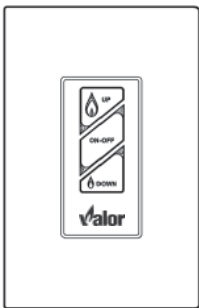
Remote handset: The battery icon  will show when the battery needs to be replaced. Replace with one 9 V **alkaline** battery.

Receiver: Frequent 'beeps' for 3 seconds when the valve motor turns indicate the batteries need to be replaced. Replace with four 1.5 V **alkaline** batteries.

HANDSET / RECEIVER MATCH

The remote control handset and receiver are programmed to function together. In case of a replacement of the handset or the receiver, you will need to reset the receiver to allow them to function together. Contact your dealer for details.

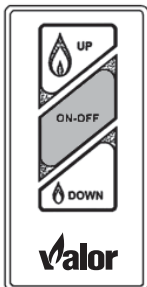
Wall Switch Operation



The Wall Switch can be used to control your fireplace. You can turn the pilot on or off and you can increase or decrease the flame height.

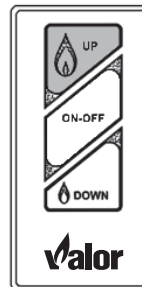
Note that the thermostat and programming functions are not available with the wall switch.


TO TURN APPLIANCE ON and OFF

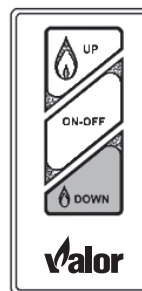



- Press ON-OFF button once to light pilot. Press again to shut of pilot.

TO ADJUST FLAME HEIGHT



- Press and hold large flame  button to gradually increase flame height.



- Press and hold small flame  button to gradually decrease flame height.

Kits & Accessories

Required Kits*		
Fuel Beds (choose one)		
1400DWK	Driftwood Kit	
1400DGM	Murano Glass Kit	
1400DGS	Decorative Glass Set	
1400LSK	Traditional Log Kit	
Liners (choose one)		
1410VRL	Valor Red Brick Liners	
1415LSL	Ledgestone Liners	
1425FBL	Fluted Black Liners	
1460PBL	Plain Black Liners	
1470RGL	Reflective Glass Liners	
1475HBL	Herringbone Liners	
Surrounds (choose one)		Barrier Screen
1430FFK	Fixed Framing Kit	4005630
1435TSB	Three-Sided Surround Black	
1440FS	Four-Sided Surrounds	
1440FS 2	Four-Sided Surrounds	4006337

Optional Accessories*	
Gas Conversion Kits	
1400JPGK	Conversion to propane gas
1400JNGK	Conversion to natural gas
Other Accessories	
GV60CKO	Outdoor Fireplace Conversion Kit
1405RGP	Reflective Glass Panel (for 1425FBL or 1460PBL)
1156CLA	Co-Linear Adapter
1195CFK	Circulating Fan Kit
1270RBK	Remote Blower Kit
LDK	LDK HeatShift Duct Kits (gravity flow)
GV60PAK	Power Kit
Hearth Gate	Hearth gates such as Cardinal's VersaGates are available at retail stores carrying safety products for children.

*Information accurate at the time of printing and subject to change without notice.

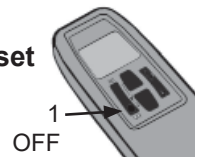
FOR YOUR SAFETY, READ BEFORE LIGHTING

WARNING: If you do not follow these instructions exactly, a fire or explosion may result causing property damage, personal injury or loss of life.

- A. This appliance has a pilot which must be lighted by hand, remote control, or wall switch. Follow these instructions exactly. To save gas, turn the pilot off when not using the appliance for a prolonged period of time.
- B. **BEFORE LIGHTING**, smell all around the appliance area for gas. Be sure to smell next to the floor because some gases are heavier than air and will settle on the floor.
- WHAT TO DO IF YOU SMELL GAS**
- Do not try to light any appliance.
 - Do not touch any electric switch; do not use any phone in your building.
 - Immediately call your gas supplier from a neighbor's phone. Follow the gas supplier's instructions.
 - If you cannot reach your gas supplier, call the fire department.
- C. Use only your hand to push in or turn the control knobs. Never use tools. If the knobs will not push in or turn by hand, don't try to repair them; call a qualified service technician. Force or attempted repair may result in a fire or explosion.
- D. Do not use this appliance if any part has been under water. Immediately call a qualified service technician to inspect the appliance and to replace any part of the control system and any gas control, which has been under water.

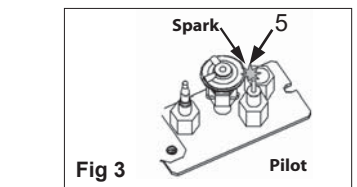
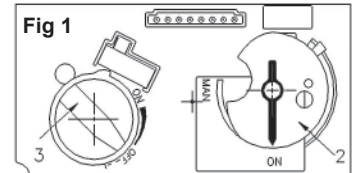
LIGHTING INSTRUCTIONS

1. **STOP!** Read the safety information above.
2. **TO CLEAR ANY GAS, turn main valve off by pressing OFF (red dot) button on remote handset (1).**



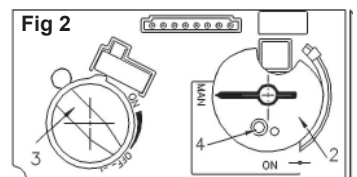
- Wait five (5) minutes to clear out any gas, then smell for gas, including near the floor. **If you smell gas, STOP!** Follow "B" in the safety information above on this label. If you don't smell gas, go to the next step.

3. **AUTOMATIC IGNITION:** MAN-knob (2) in ON position. Ensure Flame Adjustment knob (3) is set to lowest setting (U) (Fig. 1). Locate the pilot (Fig. 3.) inside of firebox at left hand side.



- On the remote control handset, press the OFF button (red dot) and large flame button (🔥) simultaneously; a short acoustic signal confirms the start has begun.
- Further short acoustic signals indicate the ignition process is in progress.
- When the pilot is lit, the Flame Adjustment knob (3) will automatically rotate to the highest setting.
- Press the small flame button (🔥) on the remote control handset to reduce the flame height.

4. **MANUAL IGNITION:** MAN-knob (2) in MAN position (Fig. 2). With the window off, locate the pilot (Fig. 3) inside of firebox at left hand side.
- Set Flame Adjustment knob (3) to the lowest setting (U).
 - Push down the metallic core (4) with a pen or similar instrument; this will establish the pilot gas flow.
 - Light gas at the pilot (5) with a match.
 - Continue holding down metal core (4) for about 10 seconds; after release, pilot should remain lit.



- If the pilot will not stay lit after several tries, turn the gas control knob (3) to OFF (U) and call your local service technician or gas supplier.
- Reinstall the window and set the MAN-knob (2) to ON; turn Flame Adjustment knob (3) up (U) or down (U) manually or use the flame buttons (🔥)(🔥) on the remote control handset to adjust the flame height.

TO TURN OFF GAS TO APPLIANCE

AUTOMATIC SHUT-OFF (using the remote control handset):

- Press and hold the small flame button (🔥) on the remote control handset to shut-off the main burner gas flow.
- Press OFF button (red dot) on remote handset to shut-off the appliance, including pilot flame.

**State of Massachusetts Carbon Monoxide
Detector/Vent Terminal Signage
Requirements**

For all side wall horizontally vented gas fueled equipment installed in every dwelling, building or structure used in whole or in part for residential purposes, including those owned or operated by the Commonwealth and where the side wall exhaust vent termination is less than seven (7) feet above finished grade in the area of the venting, including but not limited to decks and porches, the following requirements shall be satisfied:

1. INSTALLATION OF CARBON MONOXIDE DETECTORS. At the time of installation of the side wall horizontal vented gas fueled equipment, the installing plumber or gas fitter shall observe that a hard wired carbon monoxide detector with an alarm and battery back-up is installed on the floor level where the gas equipment is to be installed. In addition, the installing plumber or gas fitter shall observe that a battery operated or hard wired carbon monoxide detector with an alarm is installed on each additional level of the dwelling, building or structure served by the side wall horizontal vented gas fueled equipment. It shall be the responsibility of the property owner to secure the services of qualified licensed professionals for the installation of hard wired carbon monoxide detectors.

a. In the event that the side wall horizontally vented gas fueled equipment is installed in a crawl space or an attic, the hard wired carbon monoxide detector with alarm and battery back-up may be installed on the next adjacent floor level.

b. In the event that the requirements of this subdivision can not be met at the time of completion of installation, the owner shall have a period of thirty (30) days to comply with the above requirements; provided, however, that during said thirty (30) day period, a battery operated carbon monoxide detector with an alarm shall be installed.

2. APPROVED CARBON MONOXIDE DETECTORS. Each carbon monoxide detector as required in accordance with the above provisions shall comply with NFPA 720 and be ANSI/UL 2034 listed and IAS certified.

3. SIGNAGE. A metal or plastic identification plate shall be permanently mounted to the exterior of the building at a minimum height of eight (8) feet above grade directly in line with the exhaust vent terminal for the horizontally vented gas fueled heating appliance or equipment. The sign shall read, in print size no less than one-half (1/2) inch in size, "GAS VENT DIRECTLY BELOW. KEEP CLEAR OF ALL OBSTRUCTIONS".

4. INSPECTION. The state or local gas inspector of the side wall horizontally vented gas fueled equipment shall not approve the installation unless, upon inspection, the inspector observes carbon monoxide detectors and signage installed in accordance with the provisions of 248 CMR 5.08(2)(a)1 through 4.

(b) **EXEMPTIONS:** The following equipment is exempt from 248 CMR 5.08(2)(a)1 through 4:

1. The equipment listed in Chapter 10 entitled "Equipment Not Required To Be Vented" in the most current edition of NFPA 54 as adopted by the Board; and
2. Product Approved side wall horizontally vented gas fueled equipment installed in a room or structure separate from the dwelling, building or structure used in whole or in part for residential purposes.

(c) **MANUFACTURER REQUIREMENTS - GAS EQUIPMENT VENTING SYSTEM PROVIDED.** When the manufacturer of Product Approved side wall horizontally vented gas equipment provides a venting system design or venting system components with the equipment, the instructions provided by the manufacturer for installation of the equipment and the venting system shall include:

1. Detailed instructions for the installation of the venting system design or the venting system components; and
2. A complete parts list for the venting system design or venting system.

(d) MANUFACTURER REQUIREMENTS - GAS EQUIPMENT VENTING SYSTEM NOT PROVIDED.

When the manufacturer of a Product Approved side wall horizontally vented gas fueled equipment does not provide the parts for venting the flue gases, but identifies “special venting systems”, the following requirements shall be satisfied by the manufacturer:

1. The referenced “special venting system” instructions shall be included with the appliance or equipment installation instructions; and
2. The “special venting systems” shall be Product Approved by the Board, and the instructions for that system shall include a parts list and detailed installation instructions.

(e) A copy of all installation instructions for all Product Approved side wall horizontally vented gas fueled equipment, all venting instructions, all parts lists for venting instructions, and/or all venting design instructions shall remain with the appliance or equipment at the completion of the installation.

Specifications

Approval & Codes

This appliance is certified to ANSI Z21.88-2014/CSA 2.33-2014 American National Standard / CSA Standard for *Vented Gas Fireplace Heaters* for use in Canada and USA, and to CGA 2.17-91 *High Altitude Standard in Canada*. This appliance is for direct vent installations.

This appliance complies with CSA P.4.1-15 *Testing method for measuring annual fireplace efficiencies*.

The installation must conform to local codes or, in the absence of local codes, with the *National Fuel Gas Code, ANSI Z223.1/NFPA 54* or the *Natural Gas and Propane Installation Code CAN/CGA-B149.1*. Only qualified licensed or trained personnel should install this appliance.

This appliance must be electrically grounded in accordance with local codes, or, in the absence of local codes, with the *National Electrical Code, ANSI/NFPA 70* or the *Canadian Electrical Code, CSA C22.1*.

Ratings

Model	1400JN	1400JP
Gas	Natural	Propane
Altitude (Ft.)*	0-4,500 feet*	
Input Maximum (Btu/h)	36,000	36,000
Input Minimum (Btu/h)	19,000	15,000
Manifold Pressure (in w.c.)	4.0"	9.0"
Minimum Supply Pressure (in w.c.)	5.0"	11.0
Maximum Supply Pressure (in w.c.)	10.0"	14.0
Main Burner Injector Marking	1000	DMS#49
Pilot Injector Marking	51	30
Min. Rate By-Pass Screw	220	125

*High Altitude Installations

Input ratings are shown in BTU per hour and are certified without deration for elevations up to 4,500 feet (1,370 m) above sea level.

For elevations above 4,500 feet (1,370 m) in USA, installations must be in accordance with the current ANSI Z223.1 and/or local codes having jurisdiction. Heating value of gas in some areas is reduced to compensate for elevation—consult your local gas utility to confirm.

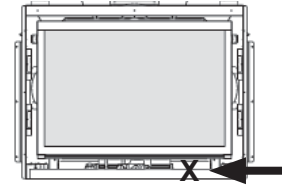
For installations at elevations above 4,500 feet (1,370 m) in Canada, please consult provincial and/or local authorities having jurisdiction.

Supply Gas

Heater engine 1400JN is used with natural gas.
Heater engine 1400JP is used with propane gas.

The supply pressure must be between the limits shown in the *Ratings* section.

The supply connection is 3/8" NPT male and located on the right hand side of the firebox. A shut-off valve (not supplied) is required on the supply line to isolate the unit during service. See *Supply Gas Installation* section for details.



Conversion Kits

The 1400J is supplied as natural gas or propane gas and is field convertible between fuels. See instructions packaged with the conversion kits for further information.

Electrical

The 1400J is designed to run on battery power and does not require an electrical power source to operate as a heater. However, it requires electrical power to operate optional 1195CFK Circulating Fan Kit, 1270RBK Remote Blower Kit or GV60PAK Power Adapter.

LDK HeatShift Duct Kit

The 1400J is designed to allow the installation of the optional LDK HeatShift Duct Kit, a convection system that redistributes the warm air flow away from the fireplace opening to a more desirable location using natural convection, without use of a fan.

The warm air flow may be relocated to a position higher up the wall, out the sidewalls, or even to another room. The result is much cooler wall temperatures above the fireplace opening for locating televisions, artwork, etc.

Please note that the framing and mantel clearances are affected by the installation of the LDK. Refer to the installation manual packed with the kit for more information.

Outdoor Conversion Kit

The 1400J models are supplied standard for indoor applications and may be adapted for installation in specific "outdoor" applications protected from weather as defined in the GV60CKO outdoor conversion kit manual.

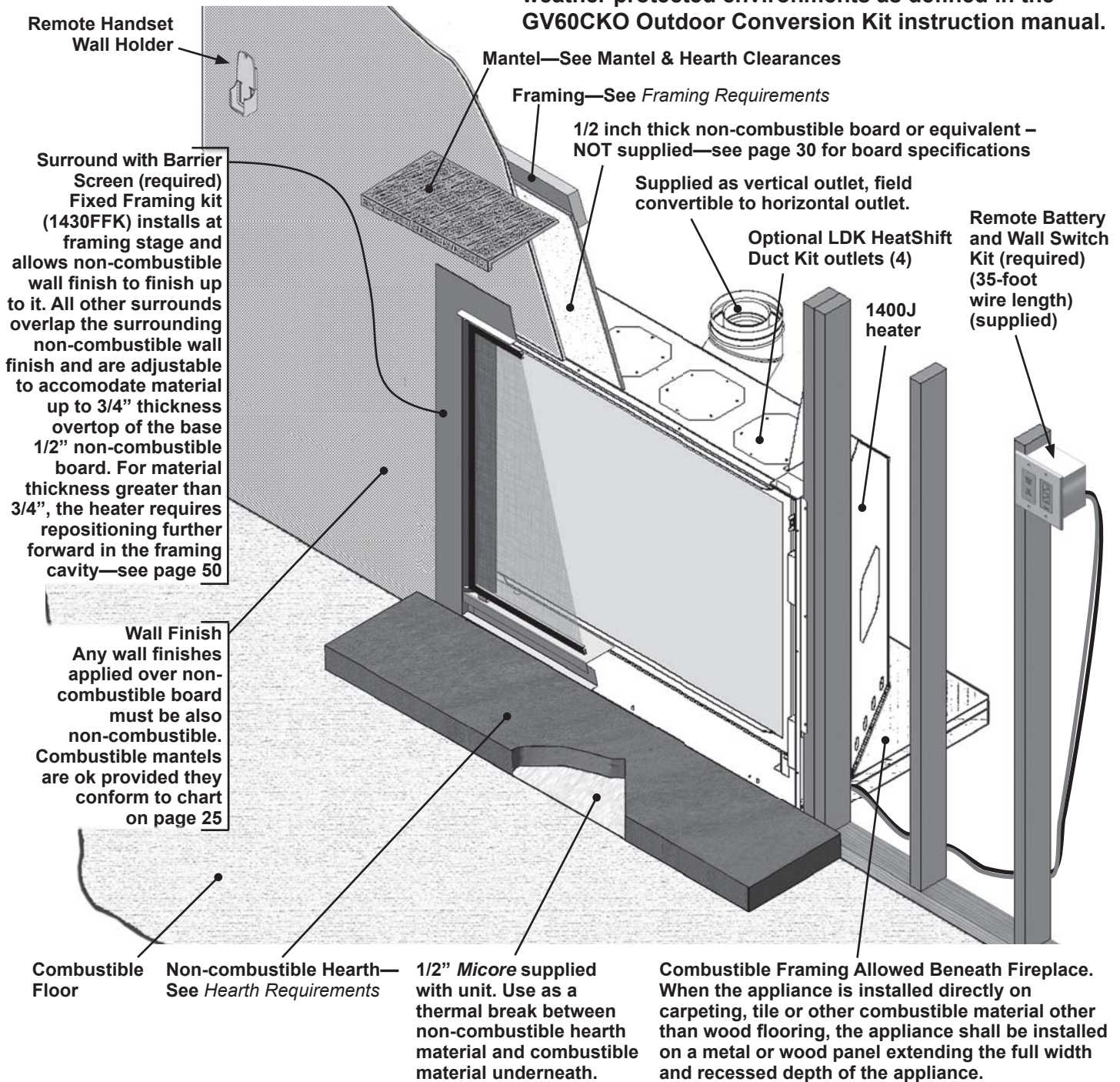
⚠ WARNING

Optional electrical accessories ARE NOT ALLOWED when adapting appliance for outdoor use.

This appliance is designed and approved as a supplemental heater and provides the potential for most energy conservation when used while attended. The use of an alternate primary heat source is advisable.

Overview

Note: This appliance may be installed in outdoor, weather protected environments as defined in the **GV60CKO Outdoor Conversion Kit instruction manual.**

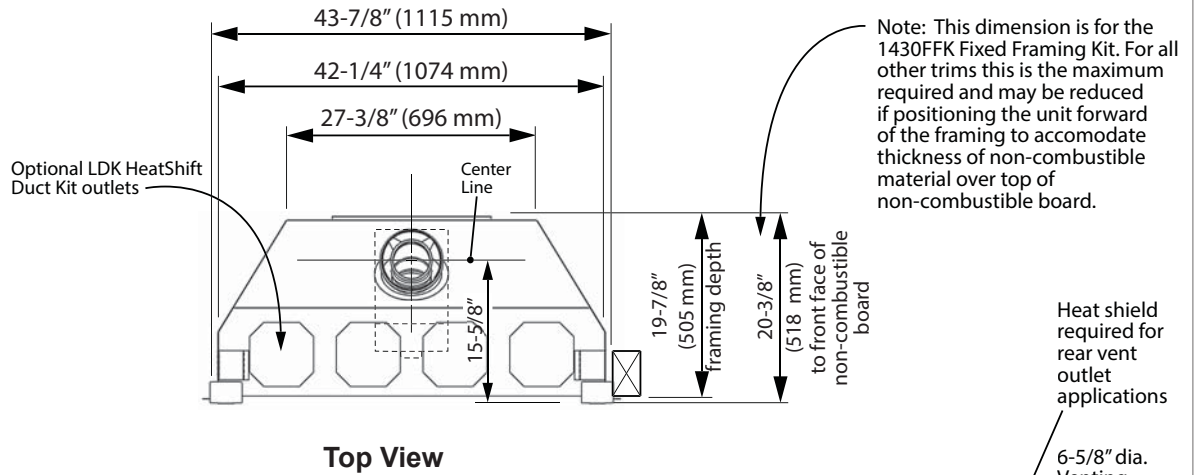


⚠ WARNING
Some materials or items, although safe, may discolor, shrink, warp, crack, peel, and so on because of the heat produced by the fireplace. Avoid placing candles, paintings, photos, and other items sensitive to heat around the fireplace.

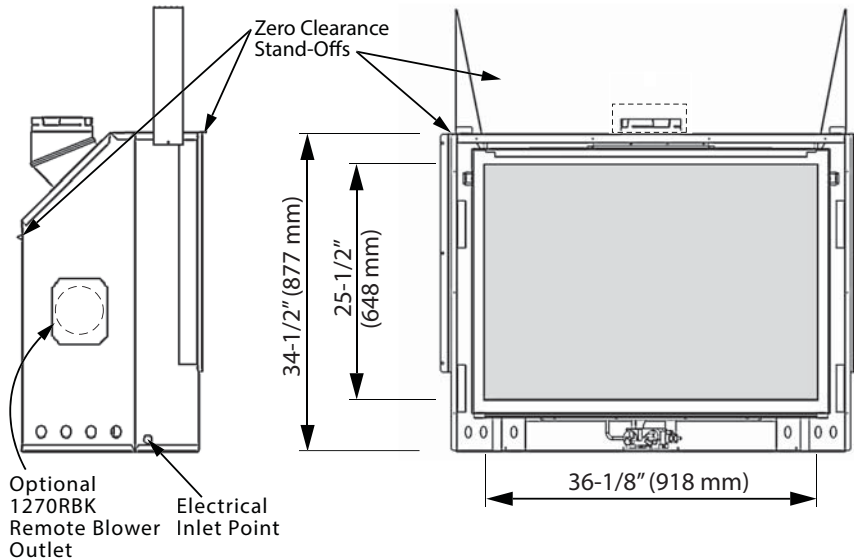
⚠ WARNING
HOT WALL SURFACES! The wall directly above the fireplace is constructed of non-combustible materials and, although safe, it may reach temperatures in excess of 200° F depending on choice of trims. Do not touch. Finish the wall using materials suitable for these temperatures.

Dimensions & Location

Dimensions

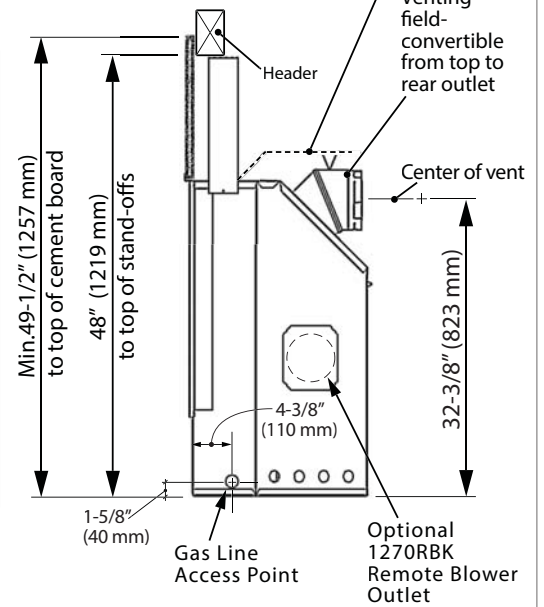


Top View



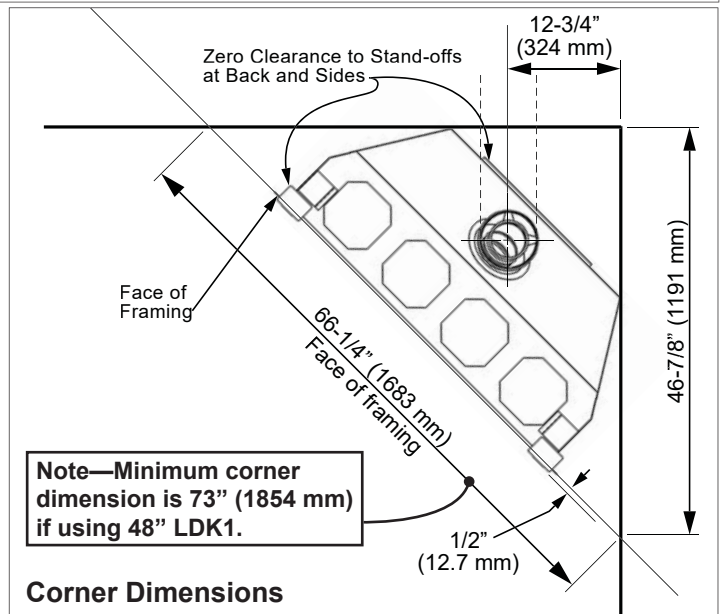
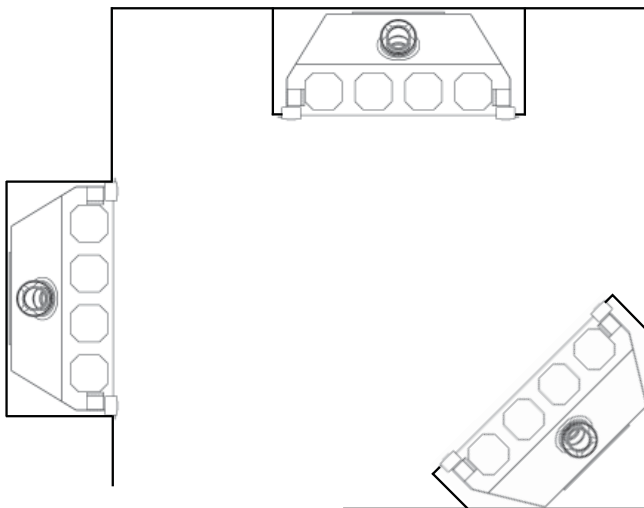
Left Side View

Front View



Right Side View

Location

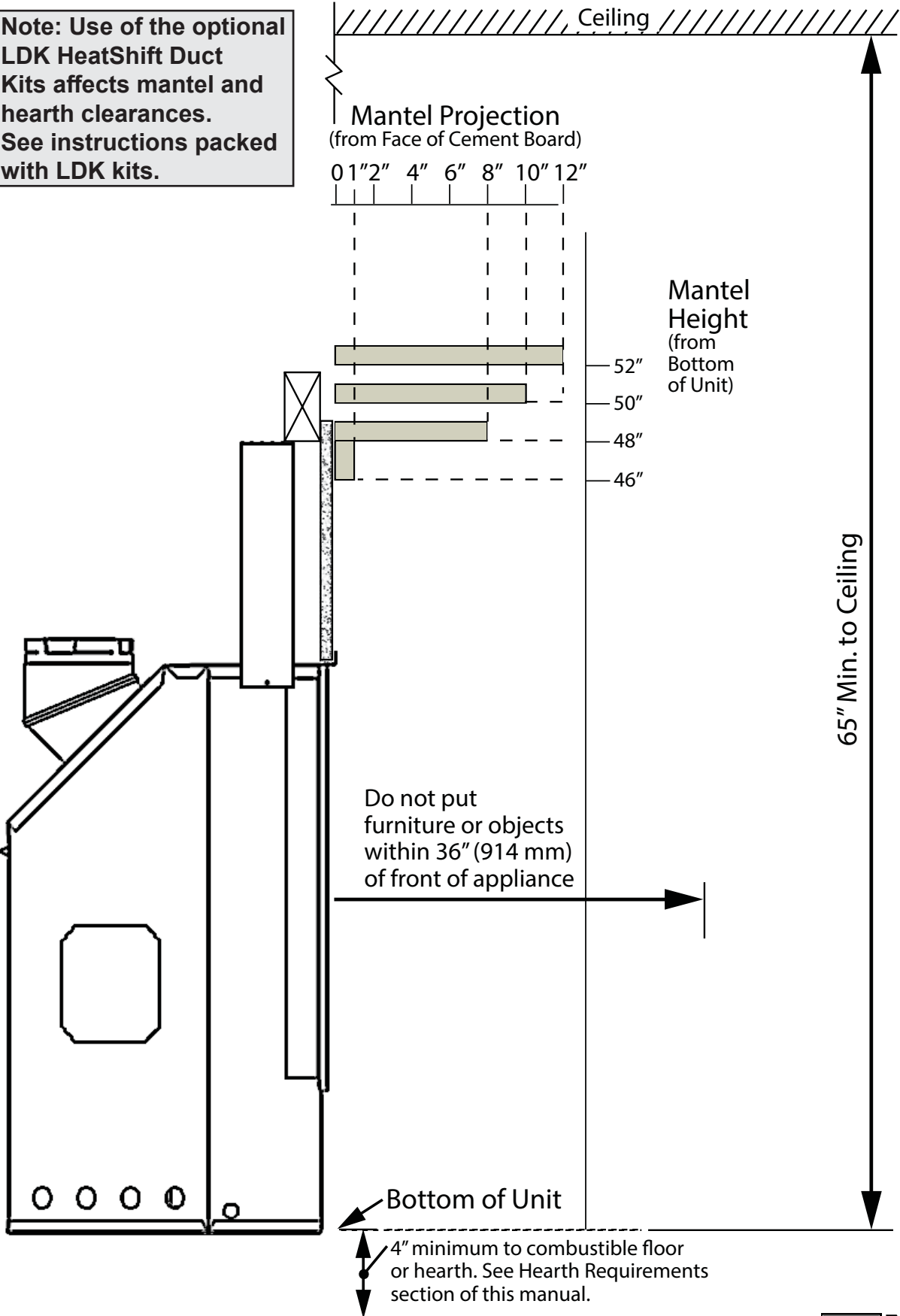


Corner Dimensions

Mantel & Hearth Clearances

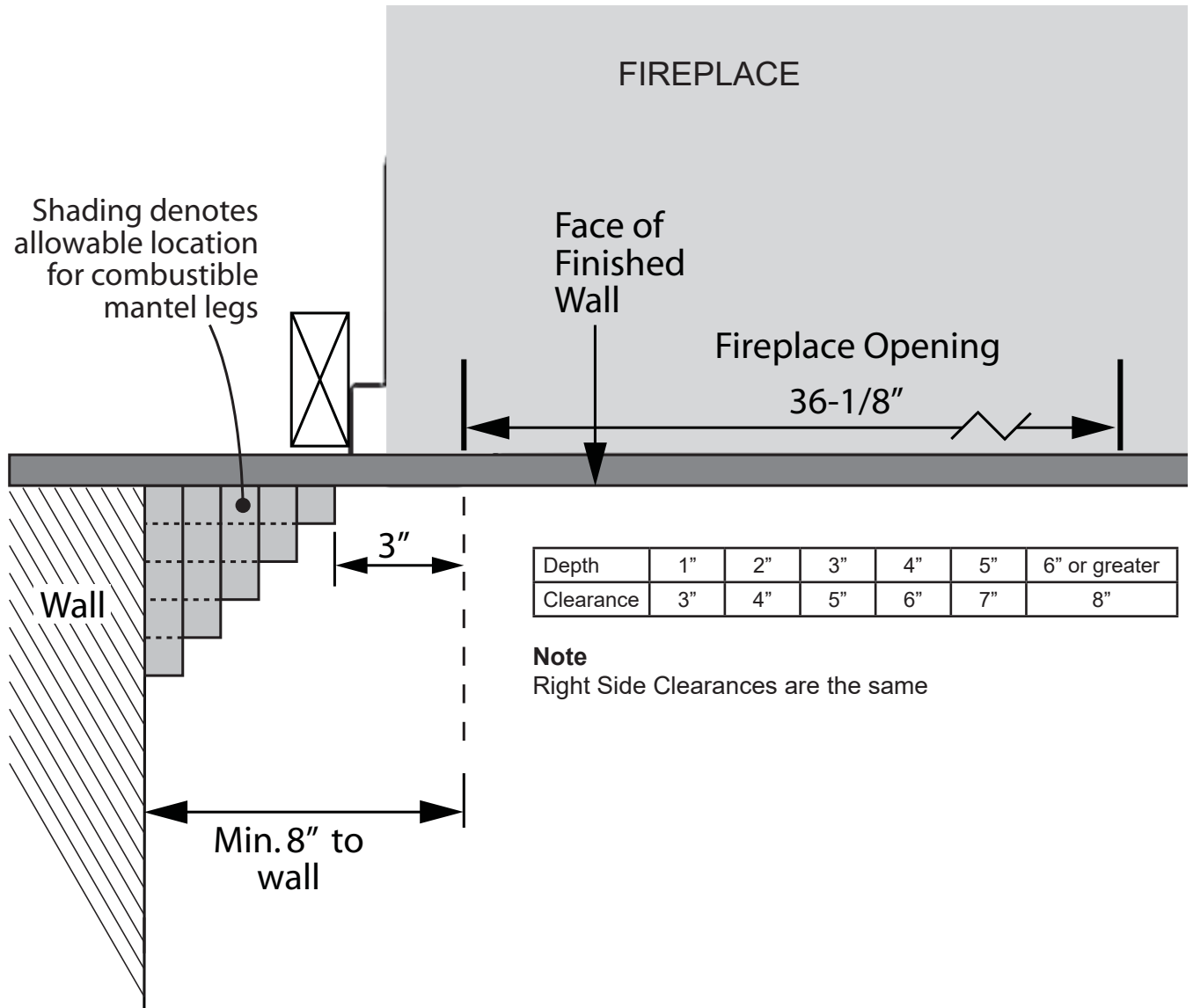
Combustible Mantel—Left Side View

Note: Use of the optional LDK HeatShift Duct Kits affects mantel and hearth clearances. See instructions packed with LDK kits.



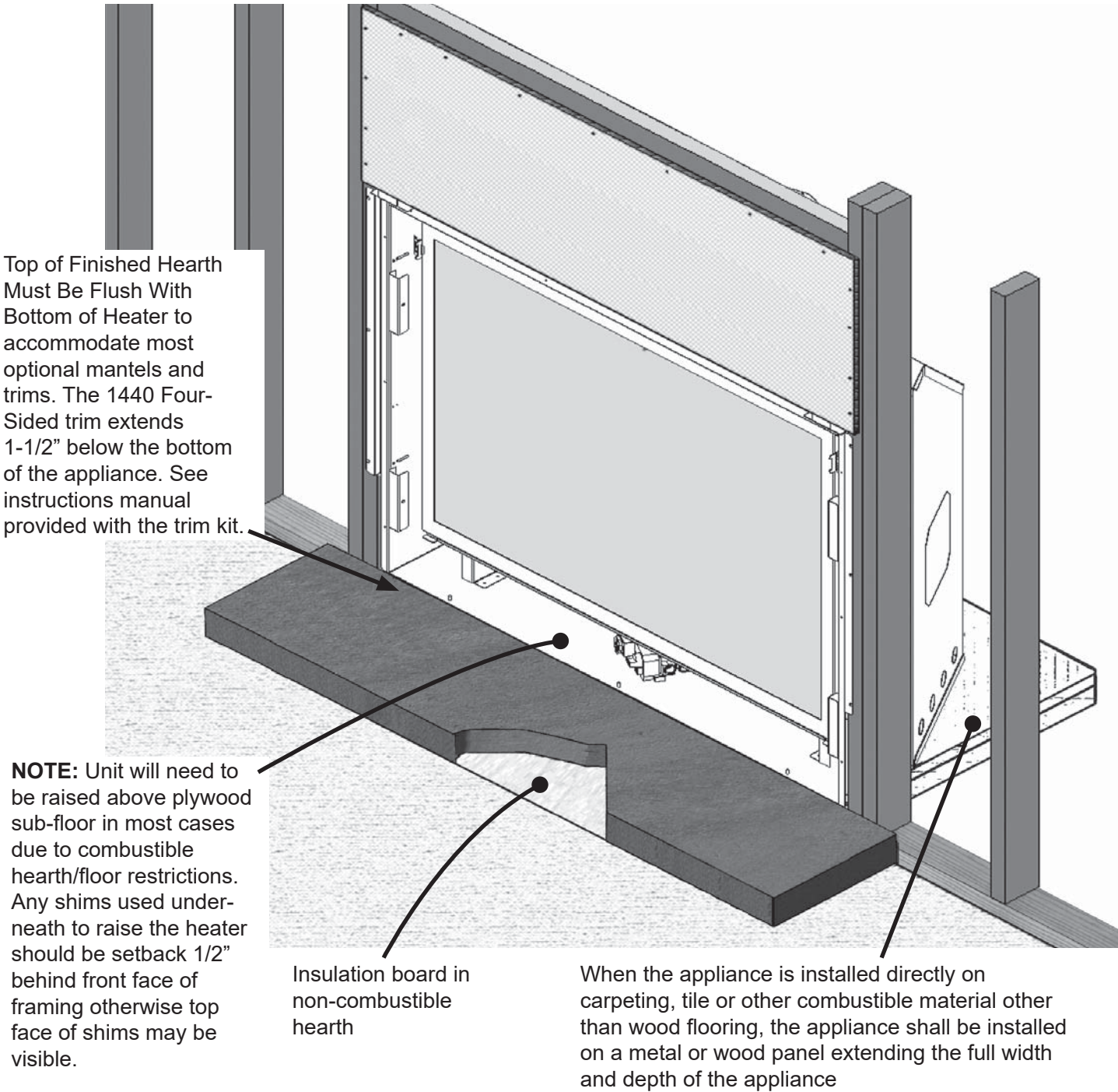
Mantel & Hearth Clearances

Combustible Sidewall / Mantel Leg—Top View



⚠ WARNING

SAFETY WARNING! The H6 is a very effective radiant heater. The hearth/floor in front of the heater can get very hot (in excess of 200°F). Locating the unit raised above the hearth/floor and using the screen front will greatly reduce hearth temperatures. Any hearth within 4 inches of the base of the heater must be constructed of non-combustible materials and utilise the insulation board supplied as a thermal break between the non-combustible hearth finish and the combustible construction below (see diagrams in the following pages). Note that some materials, although safe can degrade due to heat—take this into consideration when choosing materials.



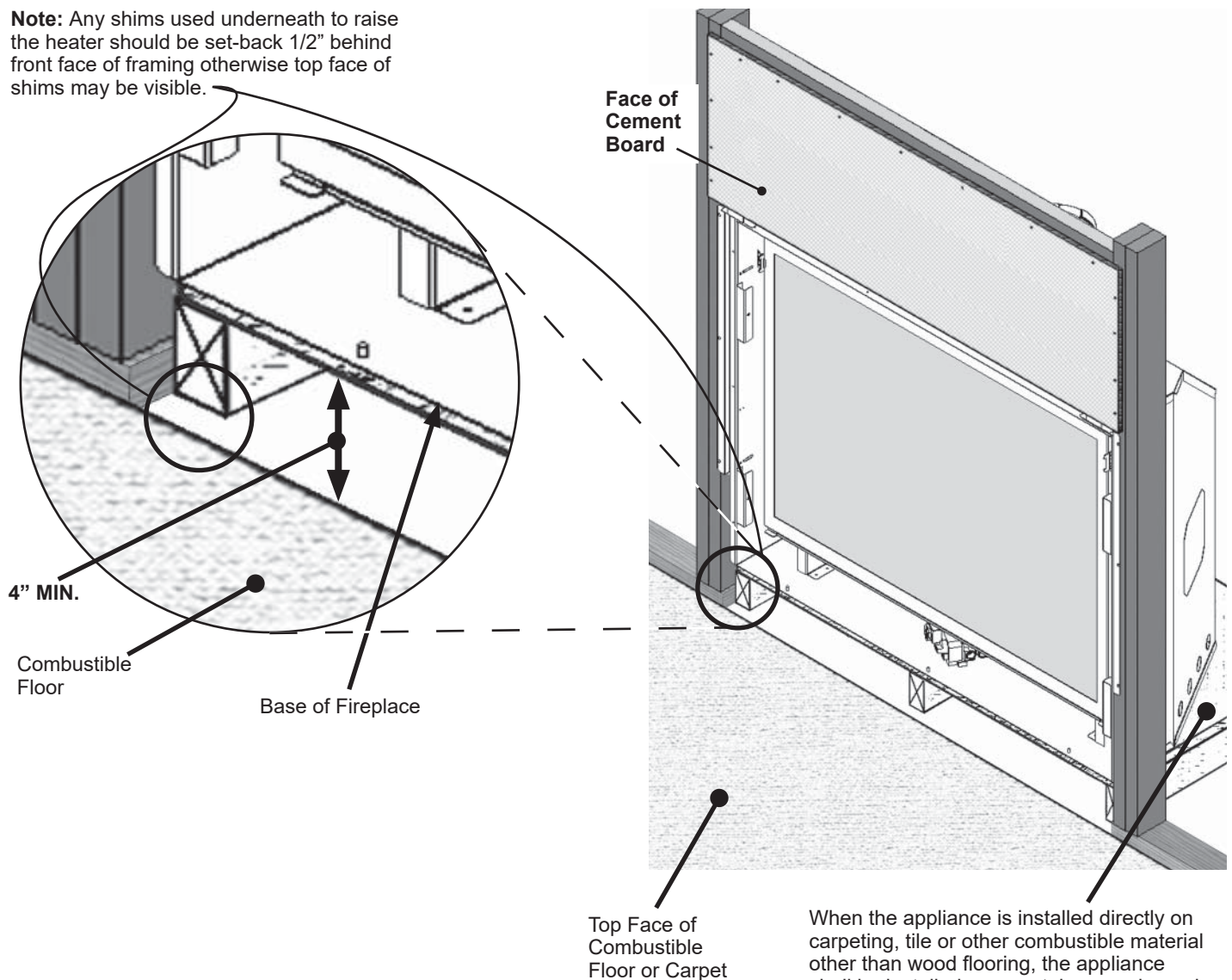
Hearth Requirements

Rules

1. A hearth is not required. However, any hearth/floor in front of fireplace within 4 inches vertically of the bottom of the unit must be non-combustible and project a minimum distance as shown on page 29. Hearth/floors within 4 inches must have a non-combustible finish **applied over the 1/2 inch insulation board** provided with the engine. This insulation board acts as a thermal break.
2. Minimum hearth projection is determined by a combination of the height of the hearth above the surface of combustible floor or carpet and the distance between the hearth and the bottom of the fireplace.
3. Combustible baseboards (1 inch thick or less) located on the wall are acceptable provided they are located below the base of the raised fireplace.

Unit Raised Above Combustible Hearth or Floor

Note: Any shims used underneath to raise the heater should be set-back 1/2" behind front face of framing otherwise top face of shims may be visible.



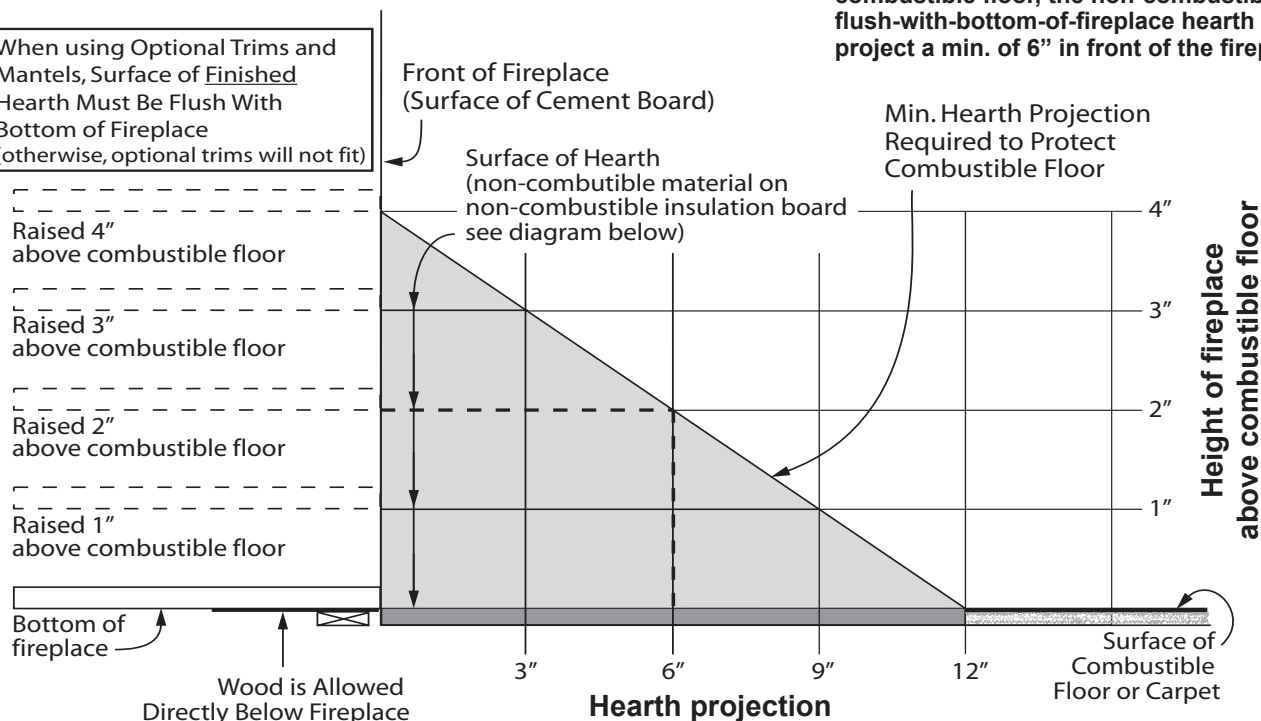
When the appliance is installed directly on carpeting, tile or other combustible material other than wood flooring, the appliance shall be installed on a metal or wood panel extending the full width and depth of the appliance

Hearth Requirements

Unit With Site-Built Non-Combustible Hearth Extending

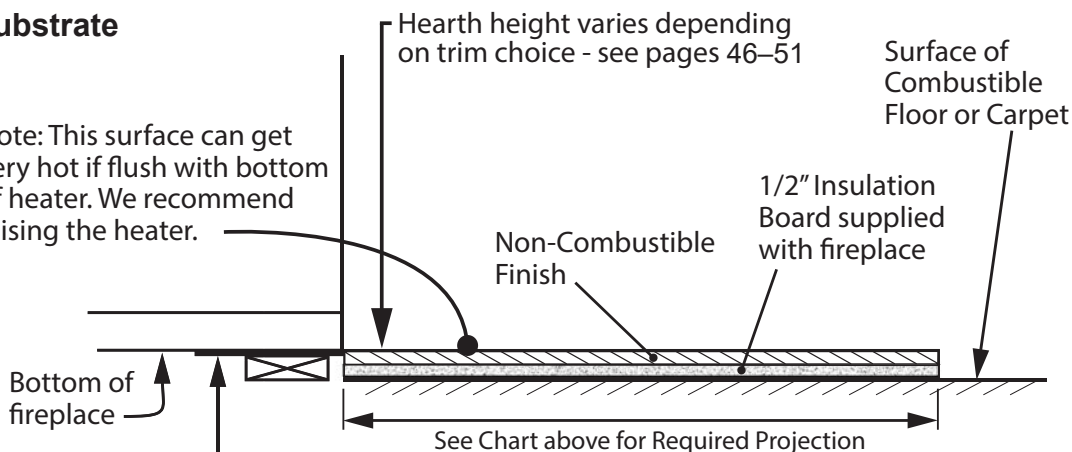
Example: If the fireplace is raised 2" above combustible floor, the non-combustible-flush-with-bottom-of-fireplace hearth must project a min. of 6" in front of the fireplace.

When using Optional Trims and Mantels, Surface of Finished Hearth Must Be Flush With Bottom of Fireplace (otherwise, optional trims will not fit)



Non-combustible substrate construction detail

Note: This surface can get very hot if flush with bottom of heater. We recommend raising the heater.



Wood is Allowed directly below fireplace
 Note: Any shims used underneath to raise the heater should be set back 1/2" behind front face of framing otherwise topface of shims may be visible

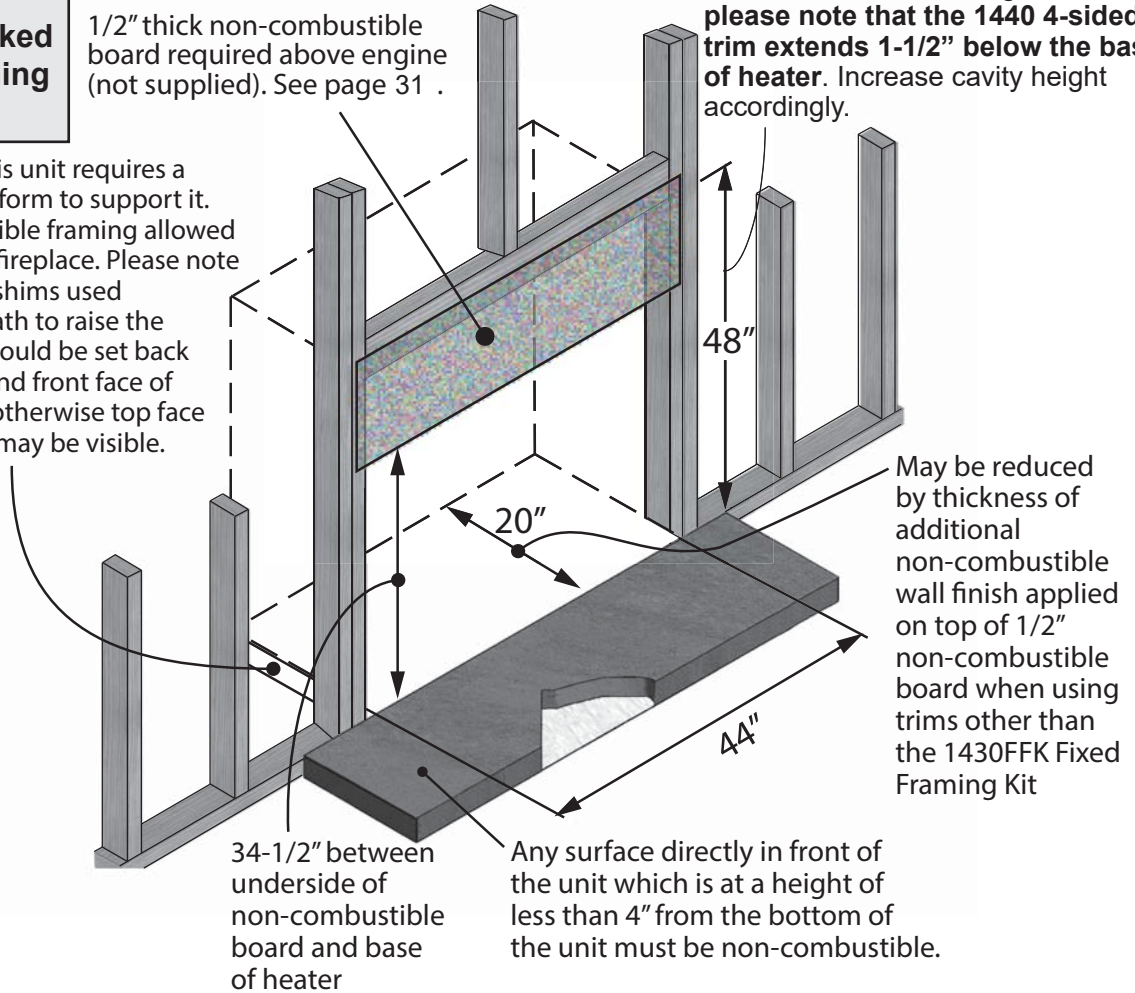
Framing Requirements

Note: If using optional LDK HeatShift Duct Kit, refer to LDK instructions packed with kits as framing is affected.

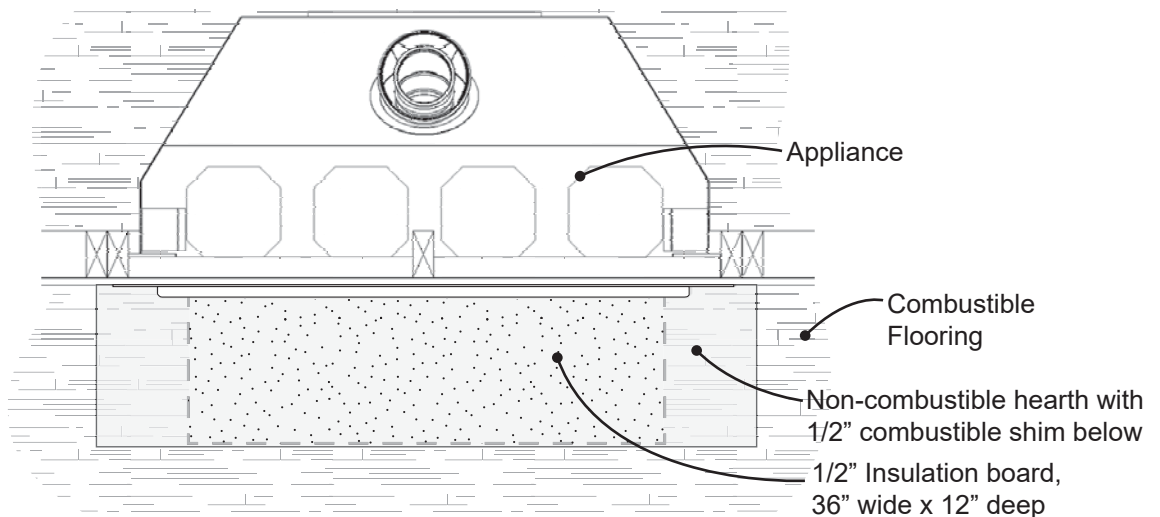
NOTE: This unit requires a solid platform to support it. Combustible framing allowed beneath fireplace. Please note that any shims used underneath to raise the heater should be set back 1/2" behind front face of framing otherwise top face of shims may be visible.

1/2" thick non-combustible board required above engine (not supplied). See page 31 .

Between underside of header and base of heater. Base of heater must be at finished hearth height. However, **please note that the 1440 4-sided trim extends 1-1/2" below the base of heater.** Increase cavity height accordingly.



Insulation Board Under Hearth

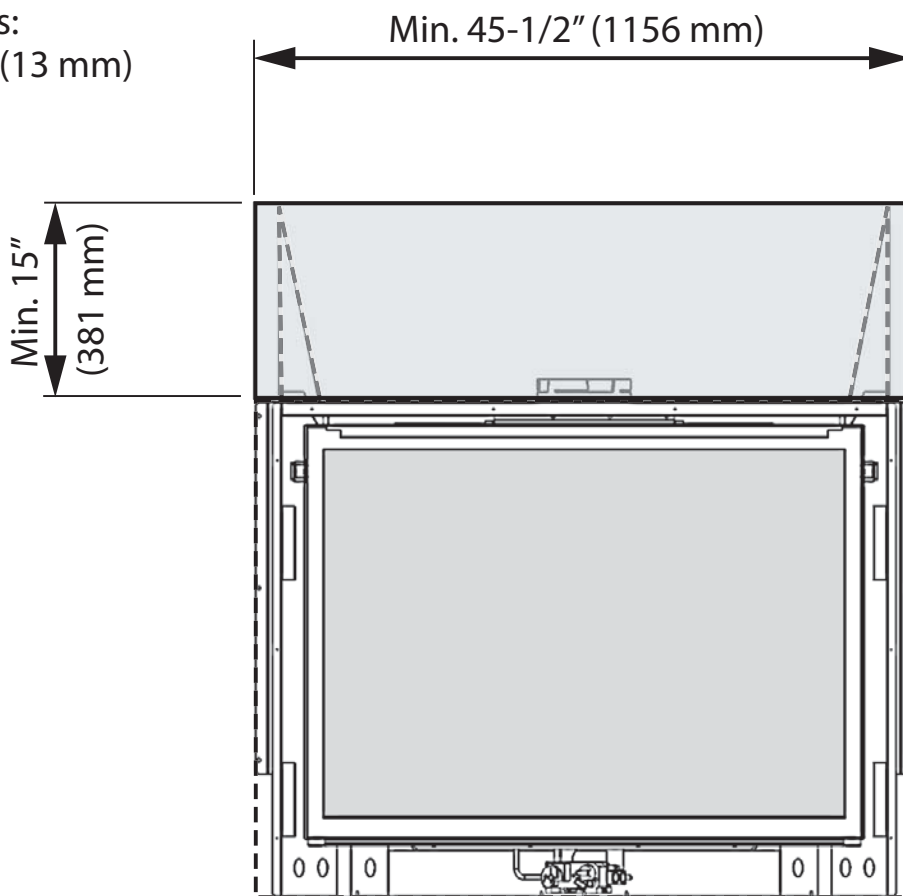


Framing Requirements

Minimum Non-Combustible Board Dimensions

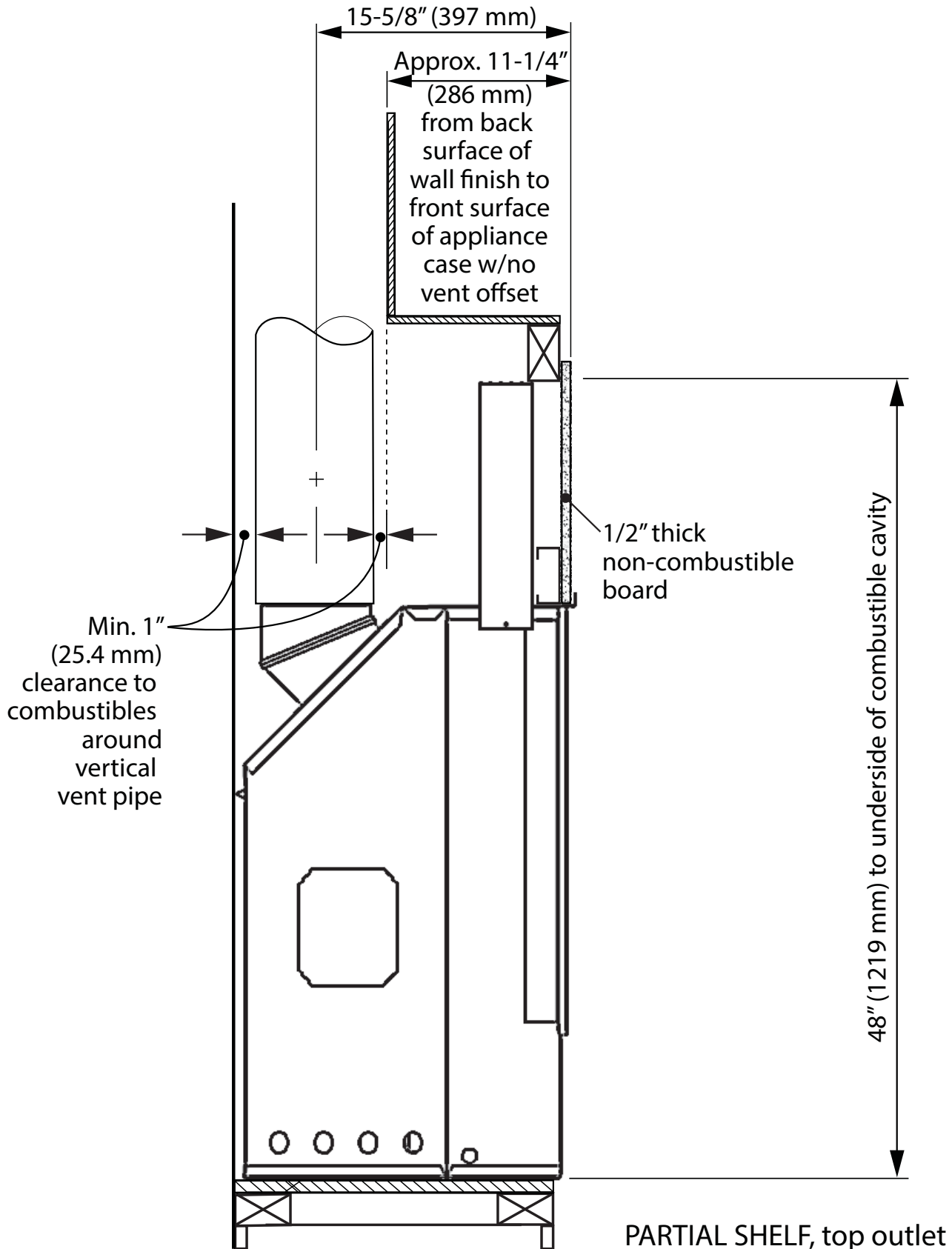
Minimum coverage area of non-combustible board.
Any wall finish applied to shaded area must be non-combustible. We recommend extending the non-combustible board well beyond the size shown to avoid cracking due to differential shrinkage —see page 43.

Non-combustible board required thickness:
1/2 inch (13 mm)



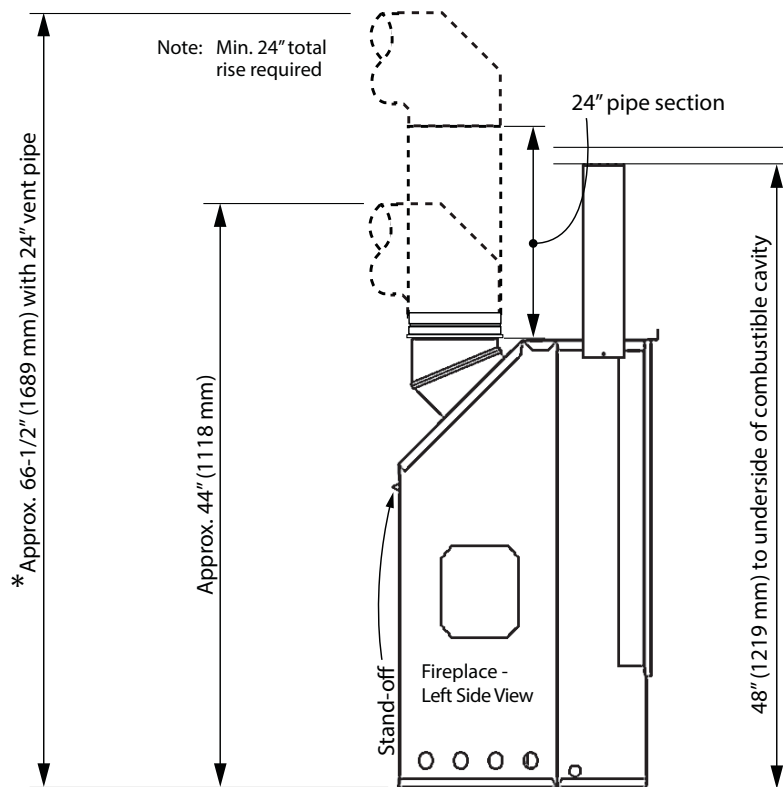
Framing Requirements

Framing with Partial Shelf—Top Outlet



Framing Requirements

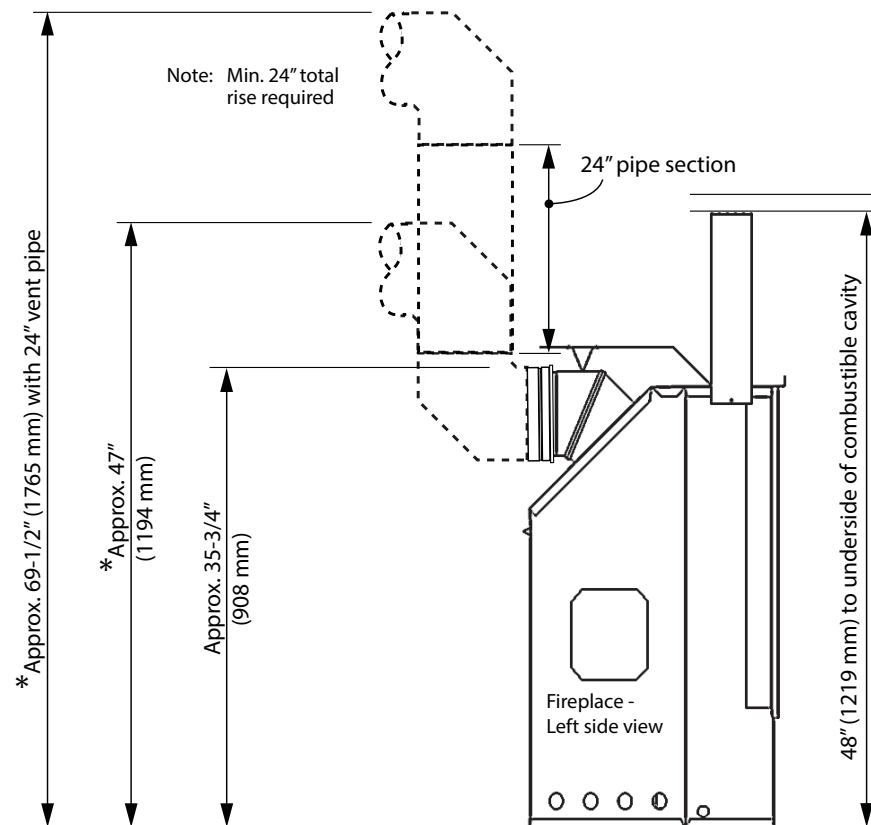
Venting Considerations—Vertical Takeoff



*Notes—ALL venting considerations

- Dimensions of venting are based on using Dura-Vent elbows. Elbow curve radius dimensions will vary when using other brands. In general, other brands have slightly bigger radius.
- 3 inches clearance to combustibles required above horizontal pipe. Slope horizontal pipe upwards 1/4 inch per foot. 1 inch clearance required around sides and bottom of horizontal pipe and around vertical pipe.
- When calculating effective pipe lengths subtract approximately 1-1/2 inch for pipe joint - for example, a 12 inches pipe section will add approximately 10-1/2 inches overall.

Venting Considerations—Horizontal Takeoff



Venting

Top or Rear Outlet

This unit is supplied with a 45 degrees top vent outlet which can be field-converted to a rear vent outlet. See *Installation* section for more information.

Vent Material

This unit is approved for installation using 4 x 6-5/8 inches co-axial direct vent pipe and accessories as listed in the *Approved Venting Components* section on pages 71–72 of this manual. Follow the installation instructions supplied with the individual venting accessories.

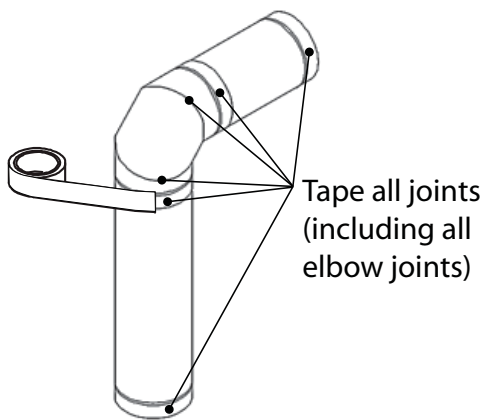
This unit may also be converted to co-linear (3 x 4 in) venting for use in solid-fuel burning fireplaces and chimneys using adapters and accessories—see list in the *Approved Venting Components* section on pages 71–72 of this manual.

Vent Sealing

Seal all outer coaxial pipe and elbow joints, including sectioned elbow joints, using high quality, high temperature 2 inch wide self-adhesive aluminum foil tape (Nashua-322-2 brand or similar). Wrap the tape completely around all joints and press firmly to seal.

A high temperature silicone sealant may be used in the outer joints as a substitute to foil tape.

Ensure all the pipe joints have a minimum of 1 ¼ inch overlap.

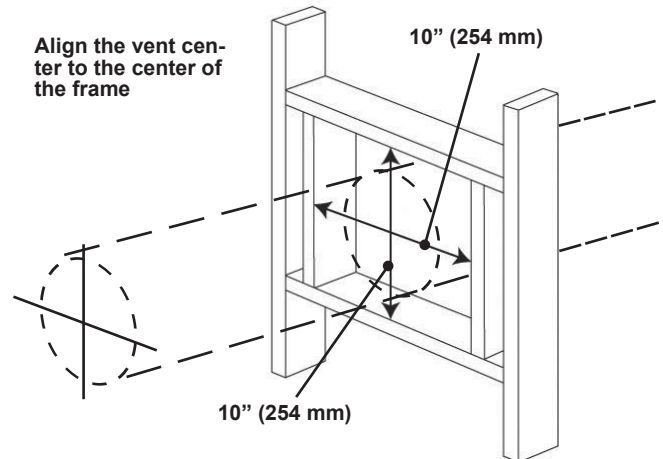


Wall Thickness

The appliance vent is suitable for penetrating a combustible wall assembly up to 8 inches in thickness. A non-combustible wall can be of any thickness up to the maximum horizontal run of vent pipe allowed for the particular installation.

Framing Vent in Combustible Walls & Ceilings

When penetrating through combustible walls and ceilings, frame a minimum of 10 in x 10 in opening and ensure that the insulation is kept clear of the vent pipe using either a wall thimble or an attic insulation shield. Follow the installation instructions supplied with the individual venting components.



Important Installer Notice – Weather Sealing & Vapor Barriers

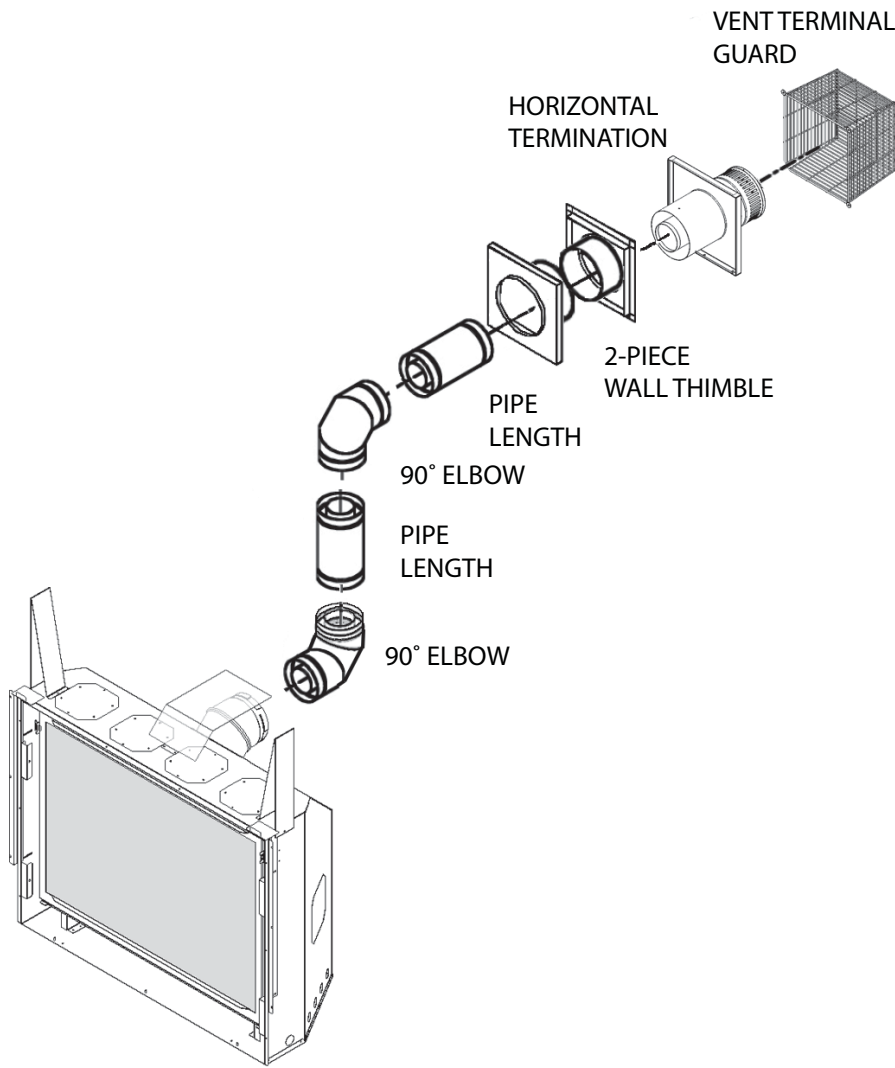
It is the installer's responsibility to ensure that vent installations through exterior walls are caulked and weatherproofed in such a manner as to:

- Prevent rain water from entering the wall from the weather side by adequately caulking the outer vent plate to the exterior wall surface.
- Prevent moisture inside the home from penetrating into the wall structure by ensuring the inside wall plate is adequately sealed to the inside vapor barrier.
- Prevent rain water and moisture from entering the walls by sealing the joints between the outer vent tube and the inner and outer wall plates.

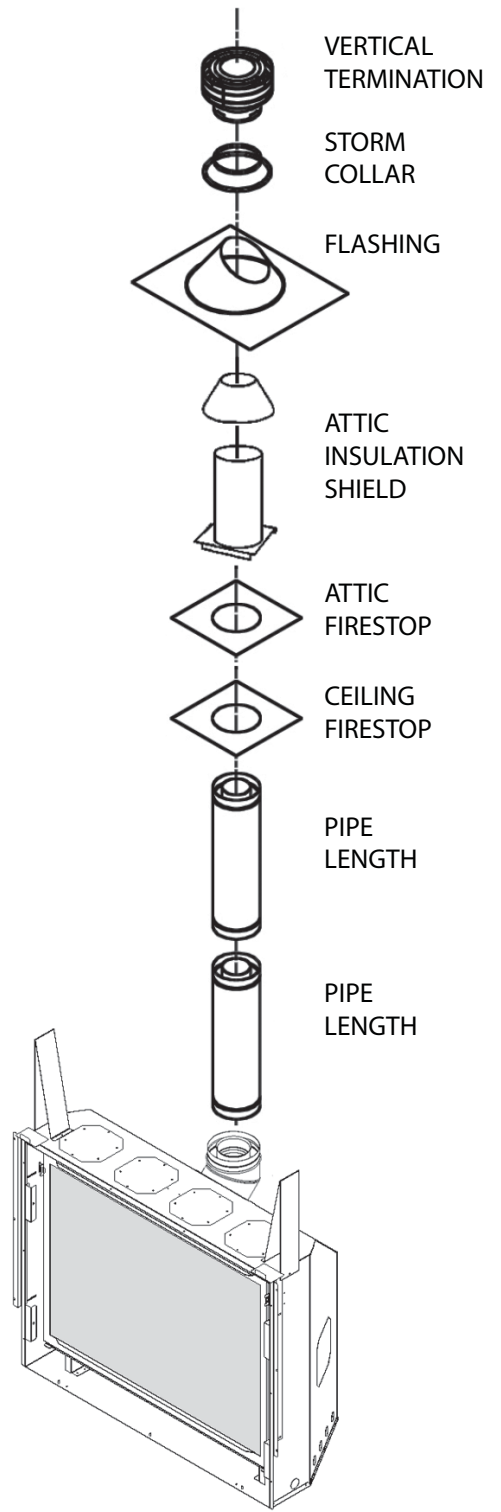
We recommend the use of a high quality polyurethane sealant.

All horizontal pipe runs must be graded 1/4 inch per foot upwards in the direction of the exhaust flow. The final pipe length, when terminating through the wall may be graded downwards slightly to prevent water migration.

Typical Co-axial Venting Components



Rear Outlet



Top Outlet

Co-axial Venting

How to Read the Venting Chart

The chart below applies to co-axial roof or wall termination.

1. A minimum vertical rise of 24 inches is required in the vent system.
2. The total length of the vent pipe cannot exceed 40 feet.
3. The minimum vertical height with roof termination is 6 feet.
4. Any combination of rise and run can be used as long as they are within the allowable limits shown on the chart below.
5. A maximum of 4 x 90 degrees elbows—or equivalent (2 x 45 degrees = 90 degrees)—can

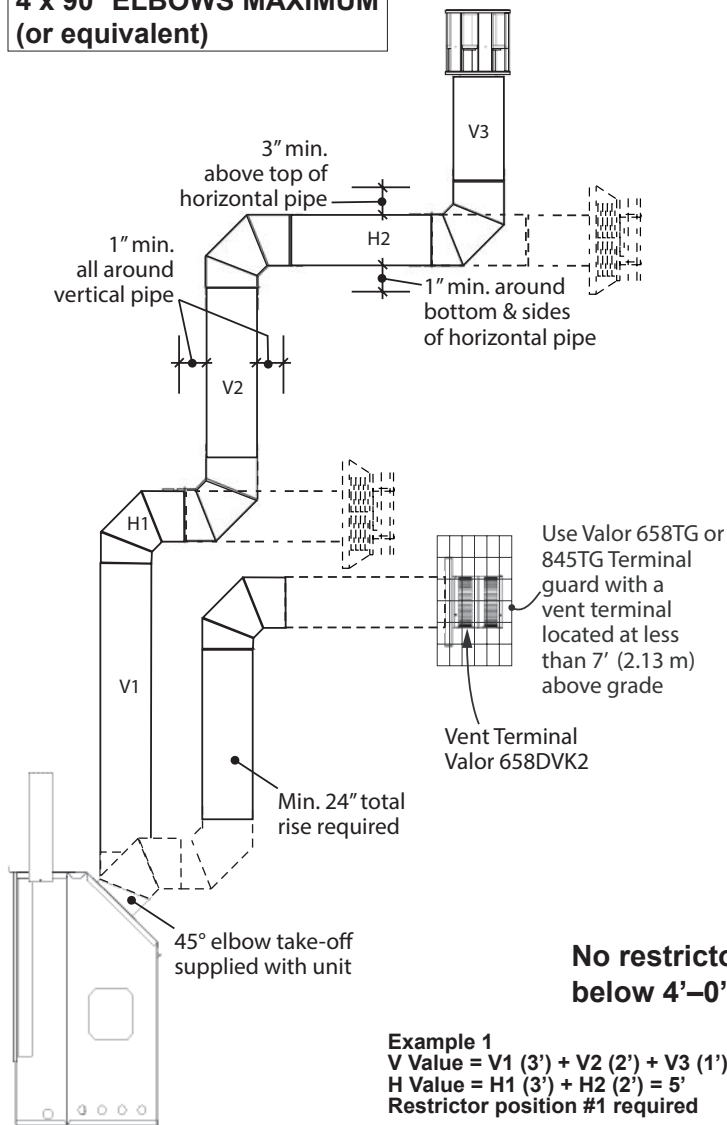
be used. Excludes the 45 degrees take-off elbow shipped with the appliance.

6. Each 90 degrees elbow installed on the horizontal plane is equivalent to a 3 feet horizontal pipe; therefore, 3 feet must be subtracted from allowable horizontal run. (45 degrees elbow is equivalent to 18 inches horizontal pipe.)
7. All horizontal pipe runs must be graded 1/4 inch per foot upwards in the direction of the exhaust flow. The final pipe length, when terminating through the wall may be graded downwards slightly to prevent water migration.
8. A restrictor adjustment is required for most installations having a vertical rise—see next section.

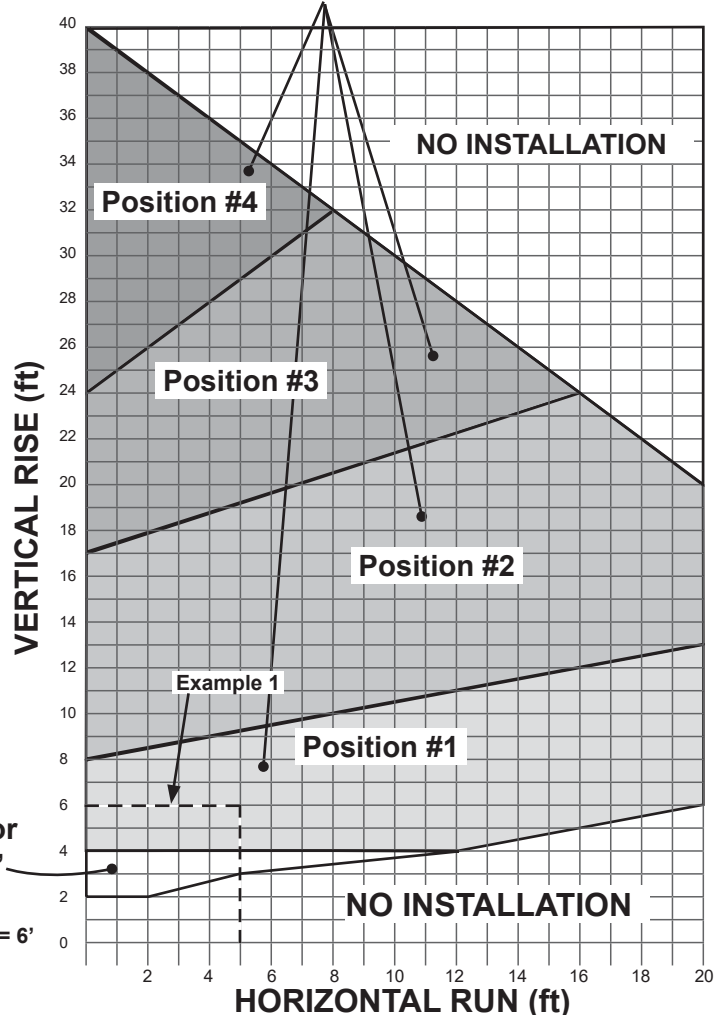
Note: The restrictors are shipped loose with the appliance.

Venting Chart

**4 x 90° ELBOWS MAXIMUM
(or equivalent)**



Allowable Co-Axial Vent Configurations with restrictor positions



Restrictors

The restrictors are not required when less than 4'-0" vertical rise in vent system.

Install the restrictors in the roof of the firebox behind the top liner panel. Adjust the restrictors before installation of the top liner panel. Should subsequent adjustment be required, you will need to remove the top liner panel—see page 55.

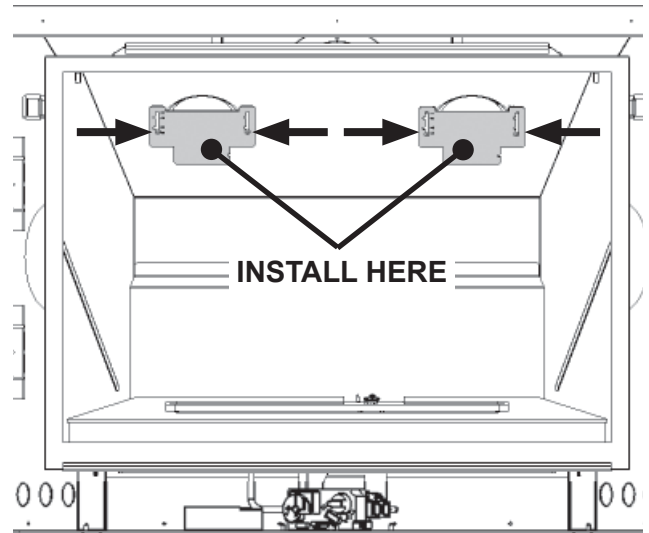
MOST INSTALLATIONS REQUIRE RESTRICTORS for improved flame picture and performance. This unit is supplied with restrictors having four different positions or settings. The level of restriction required depends on the vertical rise in the venting system and, to a lesser degree, the horizontal run and number of elbows.

The amount of restriction is based on laboratory tests. The ideal restrictor position may vary slightly, especially when the vent pipe length is near the limits of the acceptable configurations for each type of restrictor.

The chart on the previous page shows the vent restrictor positions required relative to the length of the vent pipe.

To set the restrictors position:

1. Establish the required position of the restrictors looking up the venting table on the previous page.
2. Fasten the restrictors using the screws (2) already installed on each side of **the firebox roof ports**.
3. Slide the restrictors in the required position.
4. Tighten the screws.



Position #1



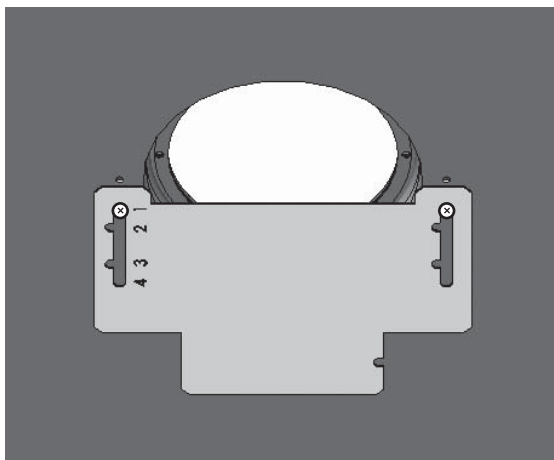
Position #2



Position #3



Position #4



Detail—Position #1

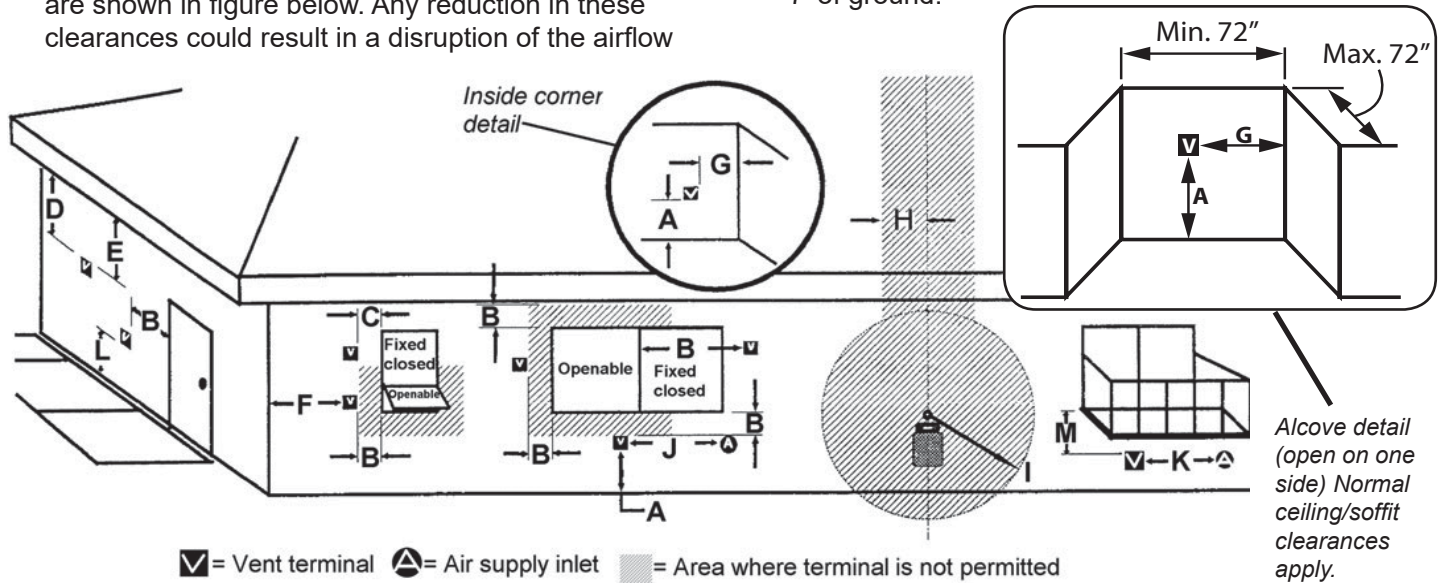
Co-axial Venting

Horizontal Vent Termination Location

- The vent terminal must be located on an outside wall or through the roof.
- This direct vent appliance is designed to operate when an undisturbed airflow hits the outside vent terminal from any direction.
- The minimum clearances from this terminal that must be maintained when located on an outside wall are shown in figure below. Any reduction in these clearances could result in a disruption of the airflow

or a safety hazard. Local codes or regulations may require greater clearances.

- The vent terminal must not be recessed into a wall or siding.
- The vent terminal should be positioned where any snowdrifts will not cover it.
- Sidewall vent terminations require a terminal guard such as 658TG or 845TG when accessible—within 7' of ground.



☑ = Vent terminal Ⓐ = Air supply inlet ▨ = Area where terminal is not permitted

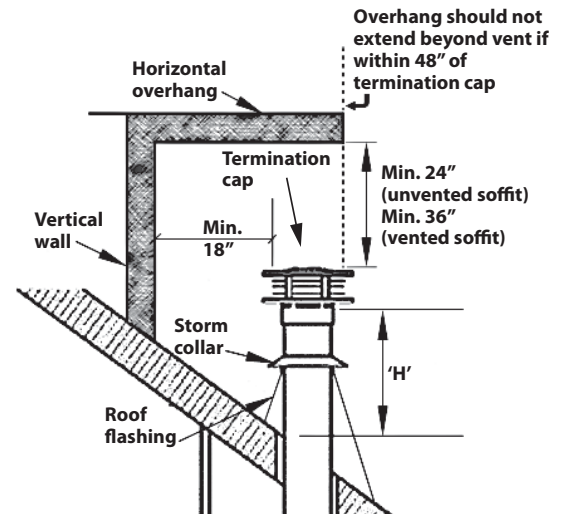
KEY	VENT TERMINAL LOCATIONS - MINIMUM DISTANCES	MINIMUM CLEARANCE	
		Inches	Cm
A	Clearance above grade, verandah, porch, deck or balcony	12	30
B	Clearance to window or door that may be opened	12	30
C	Clearance to permanently closed window (recommended to prevent condensation on window)	12	30
D	Vertical clearance to ventilated soffit located above the terminal within a horizontal distance of 2 feet (60 cm) from the center-line of the terminal	18	46
E	Clearance to unventilated soffit	12	30
F	Clearance to outside corner	12	30
G	Clearance to inside corner	12	30
H	Horizontal clearance to center-line of meter/regulator assembly located within 15 feet (4.6 m) below the terminal	36	90
I	Clearance to service regulator vent outlet	36	90
J	Clearance to non-mechanical air supply inlet to the building or the combustion air inlet to any other appliance	12	30
K	Clearance to a mechanical air supply inlet	72	180
L	Clearance above paved sidewalk or a paved driveway located on public property Note: A vent must not terminate directly above a sidewalk or paved driveway, which is located between two single-family dwellings and serves both dwellings. THIS DOES NOT APPLY to direct vent, non-condensing appliances in the Province of Ontario.	84	210
M	Clearance under a verandah, porch, deck or balcony <i>Only permitted if veranda, porch, deck or balcony is fully open on a minimum of 2 sides beneath the floor</i>	12	30

Note: Local codes and regulations may require different clearances.

Co-axial Venting

Vertical Vent Termination

Roof Pitch	Minimum "H" (feet)
Flat to 7/12	1'
Over 7/12 to 8/12	1.5'
Over 8/12 to 9/12	2'
Over 9/12 to 10/12	2.5'
Over 10/12 to 11/12	3.25'
Over 11/12 to 12/12	4'
Over 12/12 to 14/12	5'



Co-linear Venting

Conversion to Co-Linear Liners using Valor 1156CLA Co-Linear Adapter

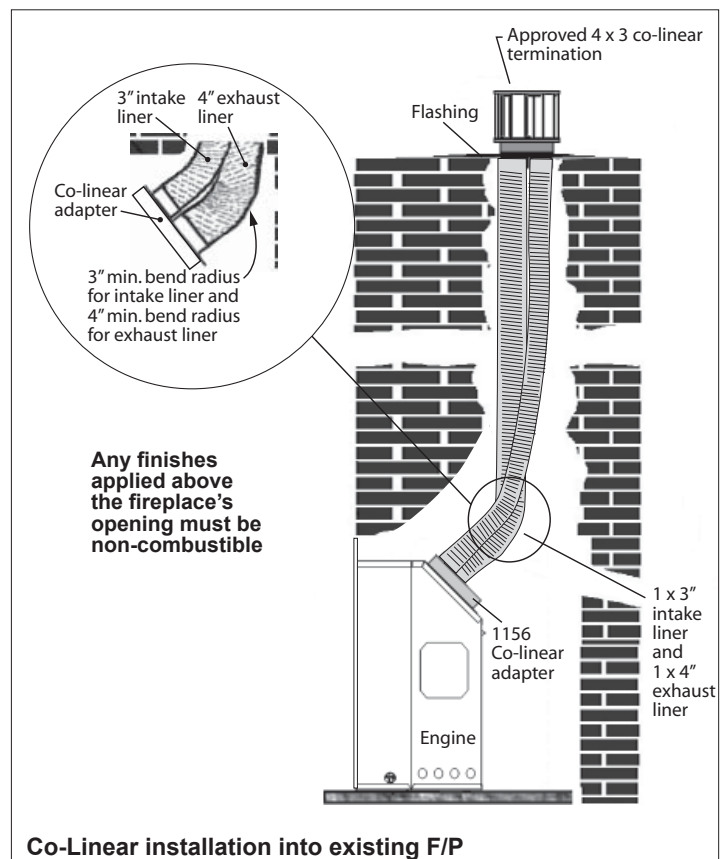
Co-linear portion of vent system may only be installed within a solid-fuel burning fireplace and chimney.
 The appliance must not be connected to a chimney flue serving a separate solid-fuel burning appliance. Requires the Valor Co-Axial to Co-Linear appliance Adapter 1156CLA, two lengths of 2-ply, one 3" and one 4" diameter flexible chimney liner approved for venting gas appliances, a co-linear termination kit and flashing or a co-linear to co-axial adapter and either a high wind vertical vent terminal cap or a low profile vertical termination.

Note: A 3" diameter exhaust liner may be used if conditions will not allow for the 4" exhaust liner. Cold start-up problems may be experienced however when using a 3" exhaust liner.

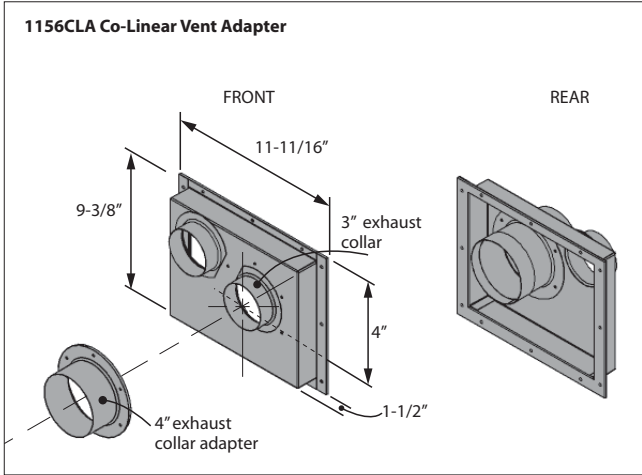
Firebox zero clearance standoffs supplied with the heater are not required for this application.

Rules for Co-Linear Venting

- Maximum 40 feet vertical pipe
- Minimum 10 feet vertical
- Maximum offset 8 feet with liners at minimum 45 degrees from horizontal plane
- Restrictor: Use #4 position for all co-linear installations—refer to page 37 for restrictor



Co-linear Venting

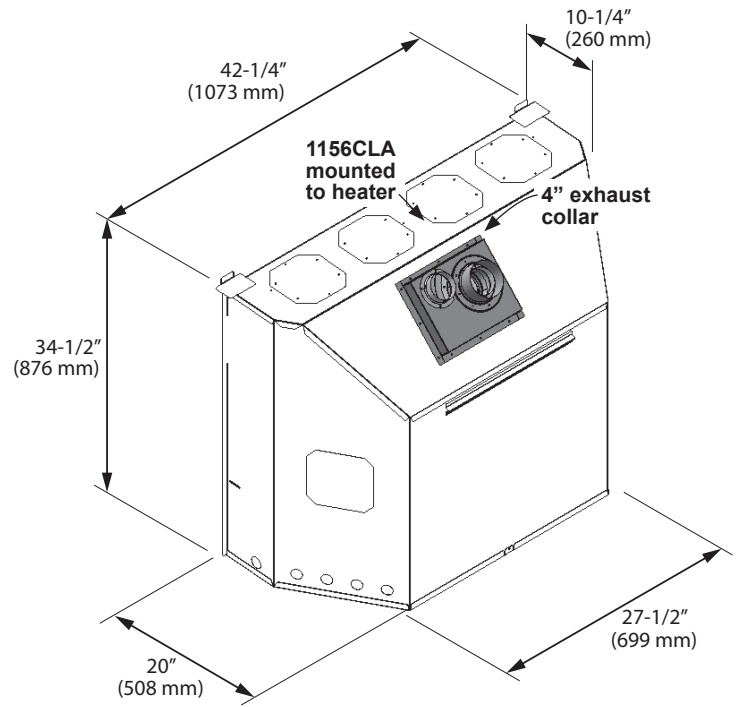


Dimensions with co-linear adapter

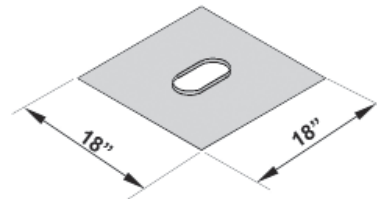
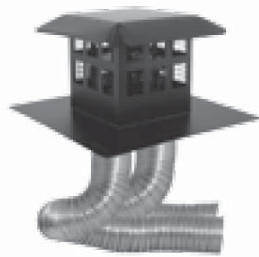
Dimensions shown are with Valor 1156 co-linear adapter.

Installation

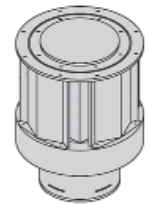
For installation of the adapter to the appliance, see the instructions supplied with the 1156CLA.



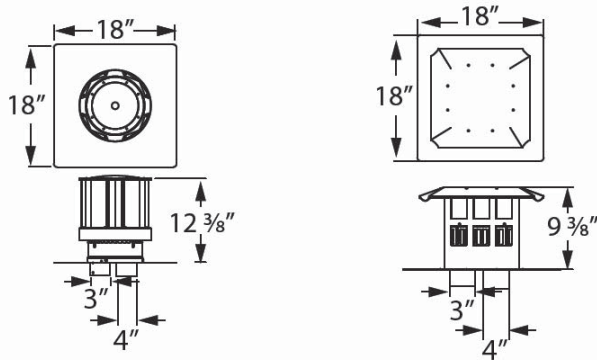
Example of co-linear terminal configurations



Flashing Kit



Terminal Cap



Co-linear terminal kits

Installer—READ THIS FIRST

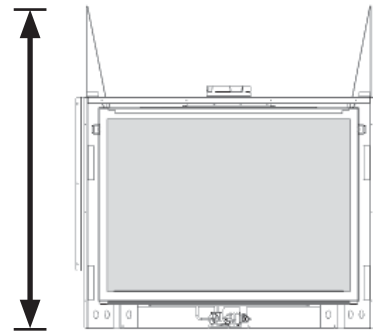
Only qualified licensed or trained personnel should install this appliance.

BEFORE YOU START—YOU NEED TO KNOW FROM THE HOMEOWNER:

- Will the optional LDK Duct Kit be used;
- The height of the unit and hearth if used;
- The thickness and type of the wall finish around the firebox opening;
- What accessories (trim, fan, etc.) will be installed with this fireplace;
- The venting configuration.

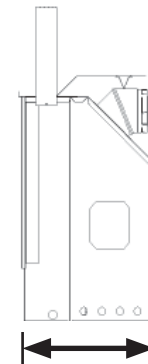
1. Unpack the appliance, removing all items packed inside and around the appliance.
2. Check that you have everything, using the Pack Content sheet. Also, check that you have:
 - a fuel bed (packed separately)
 - a set of liners (packed separately)
3. Finish the framing.
4. Fit the appliance into framing and fix it to the framing.
5. Remove the window of the appliance.
6. Install the optional LDK HeatShift Duct Kit if used.
7. Install the venting system and tape vent pipe joints.
8. Position the restrictor.
9. Connect the electrical wiring for optional electric accessories if used.
10. Install the optional electric accessories if used.
11. Connect and test the gas supply.
12. Install the liners.
13. Install the fuel bed.
14. Refit the window and the hot glass safety plate if removed.
15. Install the wall switch (recommended).
16. Initialize the remote control system.
17. Verify the operation and adjust aeration settings.
18. Install the remote control handset wall holder.
- 19. Instruct the homeowner on the operation and maintenance of the fireplace.**
20. Finish the wall around the fireplace.
21. Install the surround trim **and barrier screen.**

Appliance Height in Framing



Hearth considerations

- Only a non-combustible hearth can be installed in front of the appliance if within 4" of the bottom of the appliance.
- The top surface of the non-combustible hearth must be at the same level as appliance bottom panel when using certain trims and accessories—see page 51.
- The non-combustible hearth in front of the appliance, if within 4" of the bottom of the appliance, must include the 1/2" *Micore* insulation board provided to be used as thermal break between non-combustible and combustible material underneath.



Appliance Depth in Framing

- 1430 Fixed Framing Kit installs at framing stage and the appliance position is fixed in the framing. Wall finishes butt up to the frame of the 1430 Fixed Framing Kit.
- All other trims install after the wall finish is applied. The perimeter of the trims overlap the wall finish; therefore the thickness of any wall finish materials must be taken into consideration. The trims have enough adjustability to allow up to 3/4" thick material applied over top of the 1/2" thick non-combustible board. Otherwise the appliance position within the framing must be adjusted to allow the additional thickness—see pages 50-51.

Installation Planning

Plan Wall Finish

Non-combustible cement board

The H6 fireplace requires a 1/2" (13 mm) thick non-combustible cement board or equivalent, to be used as a wall surface immediately above the unit—see diagram for minimum coverage.

Extending the cement board well beyond the minimum shown will help avoid cracking due to differential expansion of materials. Pre-drill cement board with oversized holes and do not over-tighten screws to avoid cracking due to heat expansion.

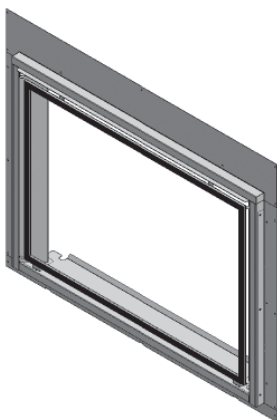
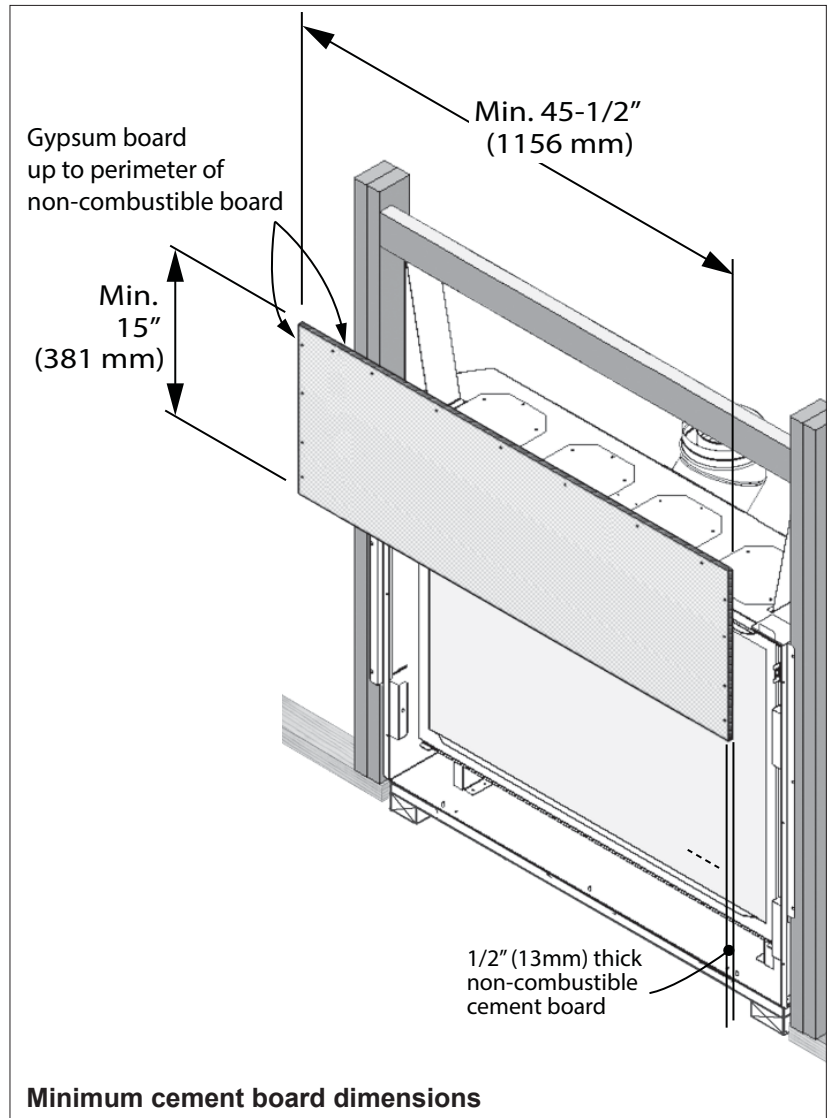
Standard gypsum wall board may be used beyond the perimeter of the cement board although it is preferable not to change materials to help avoid cracking.

Non-combustible finishing over cement board

Additional non-combustible material such as tile, etc., may be applied over top of the cement board or you may choose to leave it finished clean with no tile, etc.—see page 43.

Be aware that a surround is always required and that the wall finish thickness must be taken into account for all installations other than the Fixed Framing Kit 1430.

All the other surrounds, 1435 and 1440, will accept wall finish tucked under their edge up to approximately 2" thick.



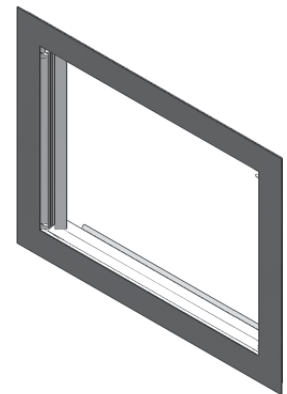
1430FFK Fixed Framing Kit

- Installs at framing stage
- Wall finish butts up to the frame
- Does not accept other optional surrounds



1435TSB 3-sided Surround and 1440FSB 4-sided Surround

- Install **after** wall finish applied
- Surround overlaps wall finish



Installation Planning

Cracking Wall Finishes

We recommend installing the optional LDK HeatShift Duct Kit to reduce the wall temperatures and minimize the possibility of cracking wall finishes.

If a clean finish with no tile, etc. is desired, joints in the non-combustible board and the transition to gypsum board will require special attention if future cracking is to be controlled.

Shrinkage and differential movement of the framing and non-combustible wall board can transmit cracking through to tiles, etc.

Be aware that temperatures on the non-combustible wall surface above the appliance can exceed 200°F.

Below are some tips on how to best avoid any cracking:

- Allow materials to dry thoroughly before finishing the wall. Cement board has the ability to absorb up to 30 percent of its weight in water and may shrink as much as 1/8" over a 48" length when drying from a saturated condition. Running the fireplace for an extended period before final finishing will help drive out moisture.
- Always pre-drill screw holes through cement board and use screws with self-milling head.
- Always use mesh tape over joints.
- Always stagger joints in wall board.
- Behind joints, double up studs or use studs "on the flat" to add extra support to the joint. Adhesive on the backside of wall board behind any joints can help control differential movement.
- Use multiple, thinner coats of joint compound and allow to dry thoroughly between coats.
- Ensure framing materials are dry.
- After finishing the wall, introduce heat gradually to slowly dry any excess moisture rather than drying too fast.
- Avoid notching cement board or tiles around corners of window opening and instead provide a joint that intersects the corner.

Installation

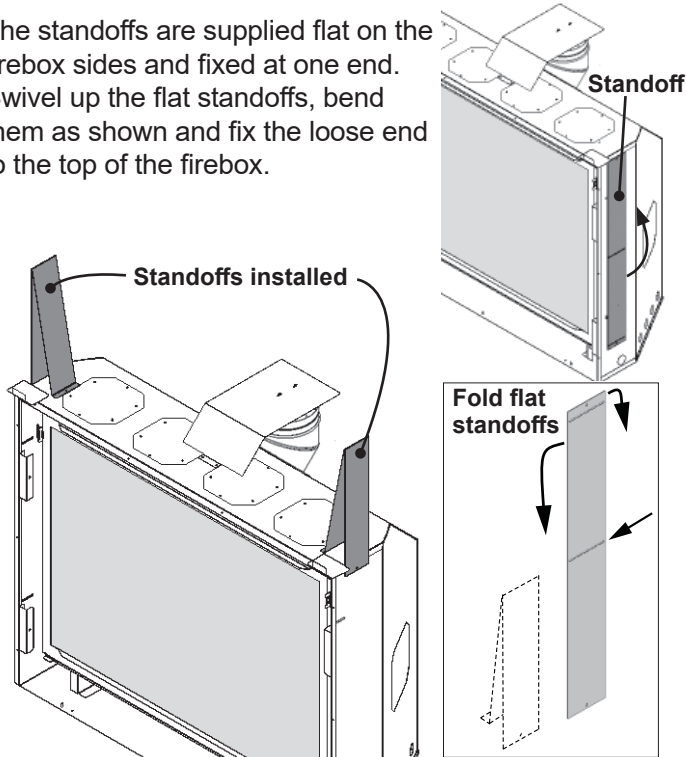
Unpack Appliance

Beware of sharp edges! Wear gloves!

1. Remove the cardboard wrapping and the wood pallet from the appliance and discard.
2. Unpack any loose items from around the appliance.
3. **Verify that you have all the components required for the installation, including:**
 - *approved non combustible cement board;*
 - *liners and fuel bed (in separate cartons);*
 - *surround kit with barrier screen;*
 - *venting components and accessories;*
 - *electrical components if installing optional blower.*

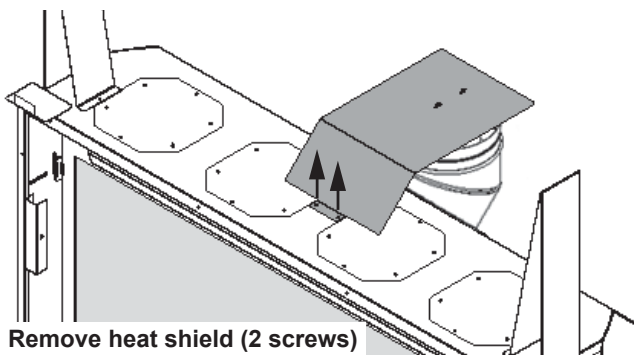
Fit Standoffs

The standoffs are supplied flat on the firebox sides and fixed at one end. Swivel up the flat standoffs, bend them as shown and fix the loose end to the top of the firebox.



Remove Heat Shield

Remove the heat shield from the top of the appliance case (2 screws).



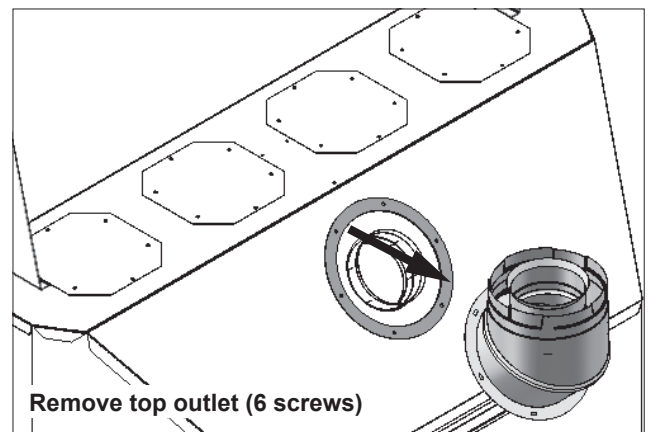
If using the top outlet or LDK HeatShift Duct Kit, discard the shield. If using a rear outlet, keep the shield to reinstall after converting the top to rear outlet—see next subsection.

Convert from Top to Rear Outlet (if required)

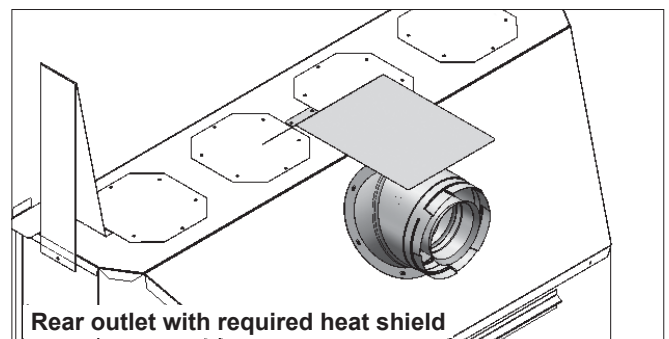
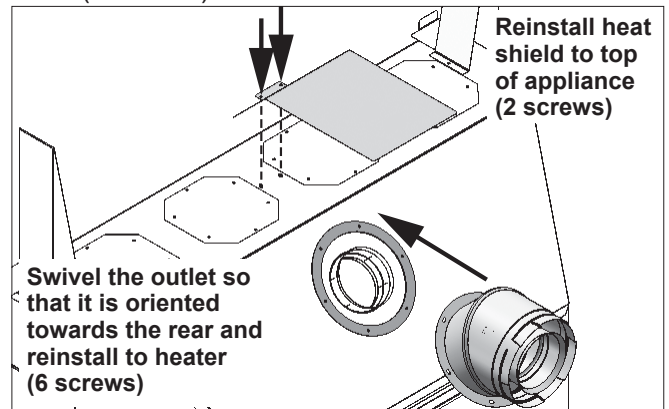
This unit is supplied with a top vent outlet which can be field-converted to a rear vent outlet.

Please note that the rear outlet requires the installation of the heat shield on top of the heater case as indicated unless fitted with optional LDK HeatShift Duct Kit.

1. Remove the top outlet collar (6 screws).



2. Swivel the collar and install as a rear outlet (6 screws).
3. Reinstall the heat shield to the top of the appliance case (2 screws).

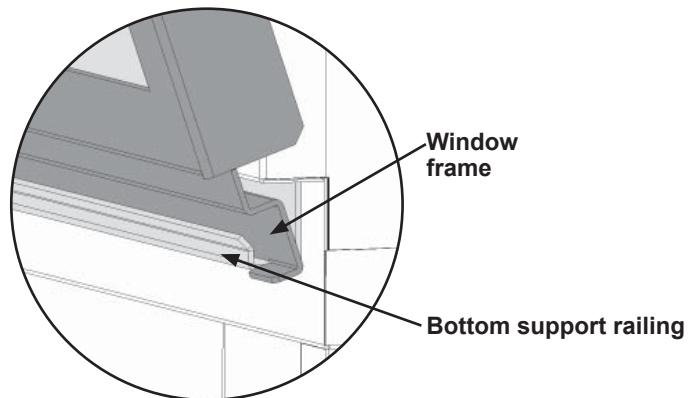


Installation

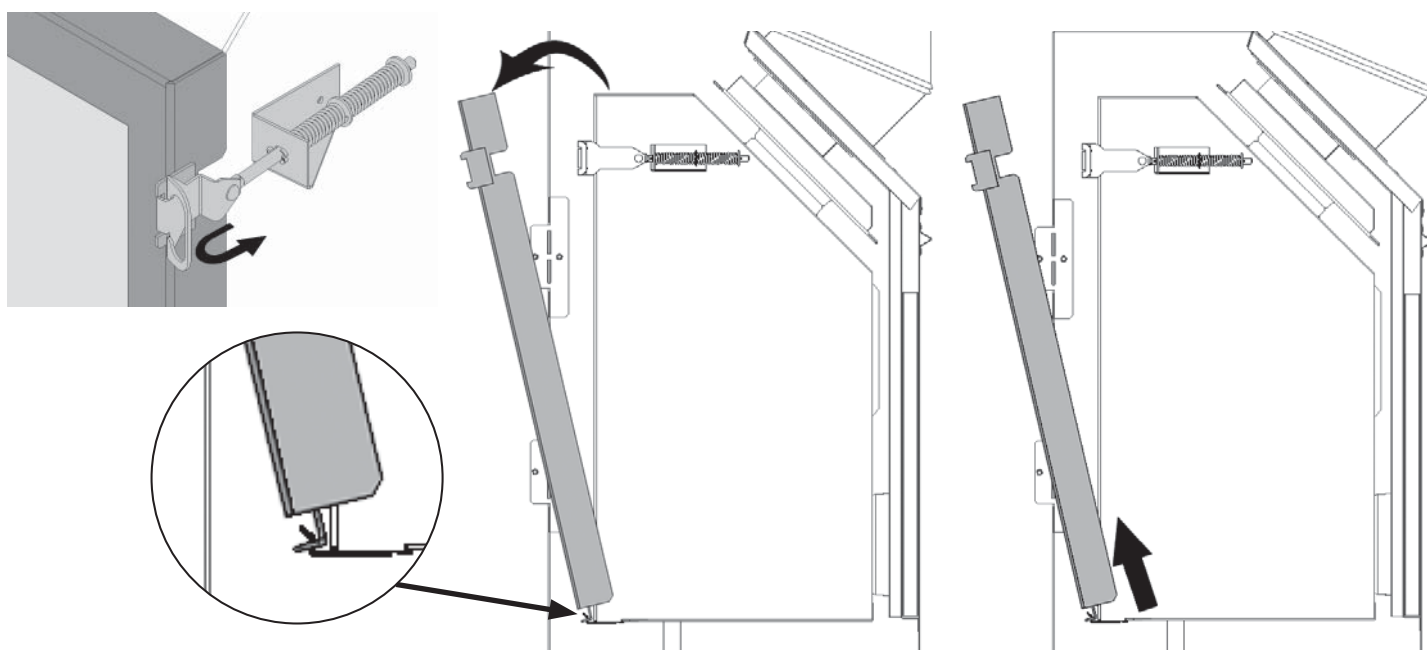
Remove Window

The window is held in place by a spring-loaded lever on each side.

1. To remove the window, locate the levers on each side of the window towards the top. Using your finger, pull the lever towards you and unhook it from the window frame bracket.
2. Gently pull the top of the window outward.
3. Lift the window out of its bottom support railing and set it aside in a safe place to avoid damage.



Section Views



Fit optional LDK HeatShift Duct Kit's take-off collars to appliance (if used)

See installation instructions packed with the LDK kits for details.

Installation

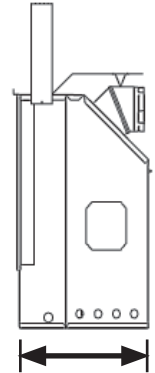
Install Appliance for 1430 Fixed Framing Kit

Appliance Depth in Framing—with 1430 Fixed Framing Kit

- The 1430 installs to the appliance during the framing stage and the appliance's position is fixed in the framing. Wall finishes are then applied over top of the flanges and butted up to the frame of the 1430.

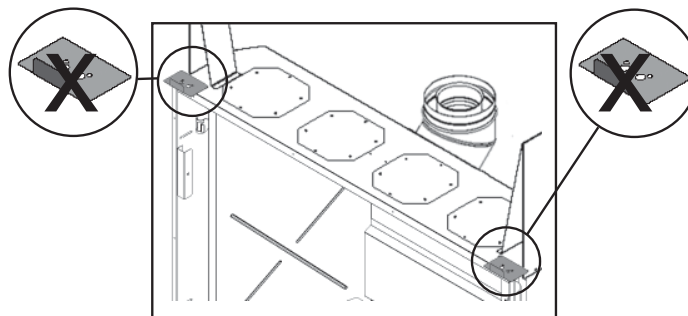


1430FFK Fixed Framing Kit



1430 Fixed Framing Kit, fixed position

- **side brackets** supplied with appliance **not required**
- appliance **positioning brackets** supplied on appliance **not required**



Installation

Install Appliance with 1430 Fixed Framing Kit

Part of the 1430 Fixed Framing Kit installs at the time of framing the appliance.

The side brackets provided loose with the appliance are not needed with this kit.

The 1430 Fixed Framing Kit is not compatible with any other trim or door kits.

Hearth considerations

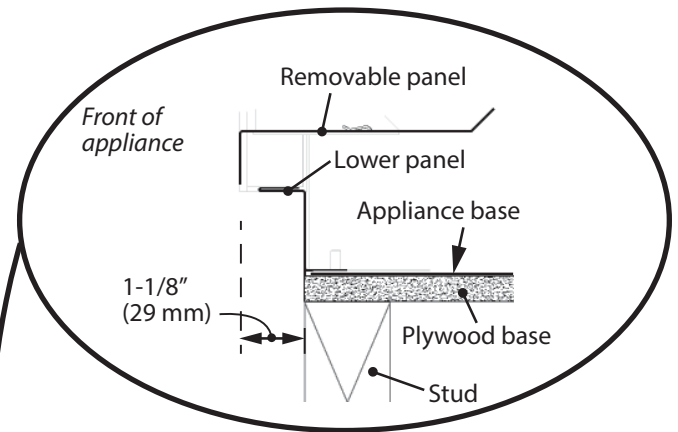
You need to know whether there will be a hearth or not in front of the appliance and some rules must be considered:

Without hearth (up the wall)

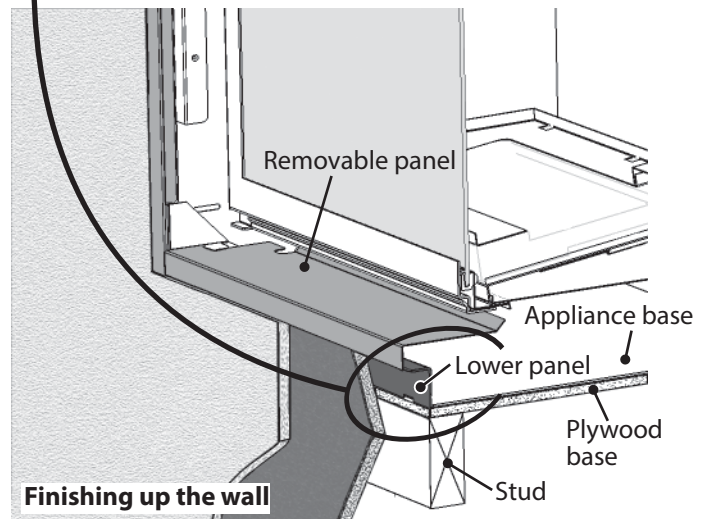
In the case where there is no hearth, the bottom of the appliance must be raised at least 4" inches above any combustible floor in front.

With hearth

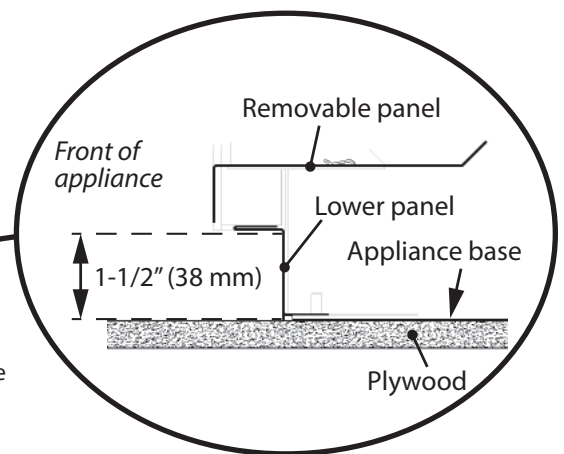
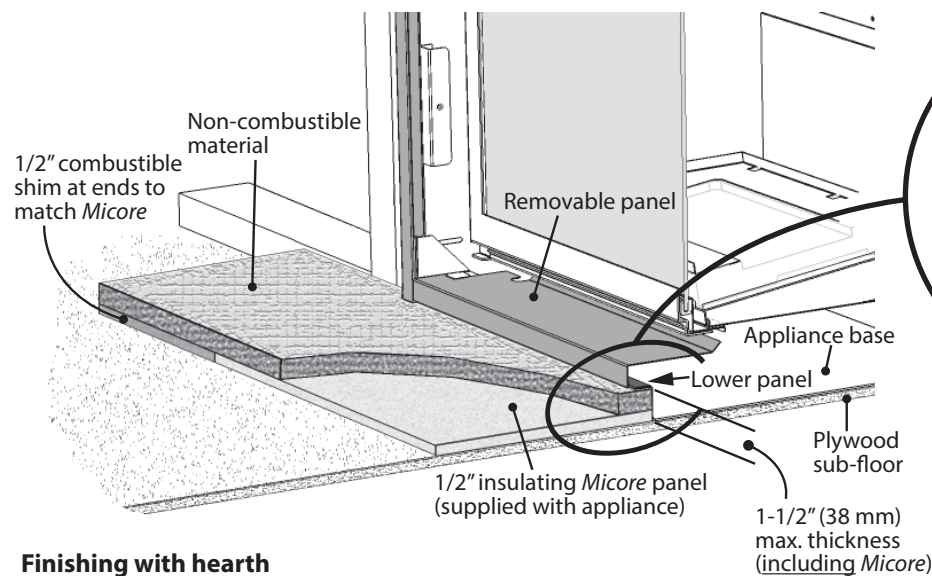
- Only a non-combustible hearth can be installed in front of the appliance if within 4" vertically of the bottom of the appliance. See *Hearth Requirements* section of this manual.
- The non-combustible hearth in front of the appliance, if within 4" of the bottom of the appliance, must include the 1/2" *Micore* insulation board provided to be used as thermal break between non-combustible and combustible material underneath.



Section view, up the wall—detail



Finishing up the wall



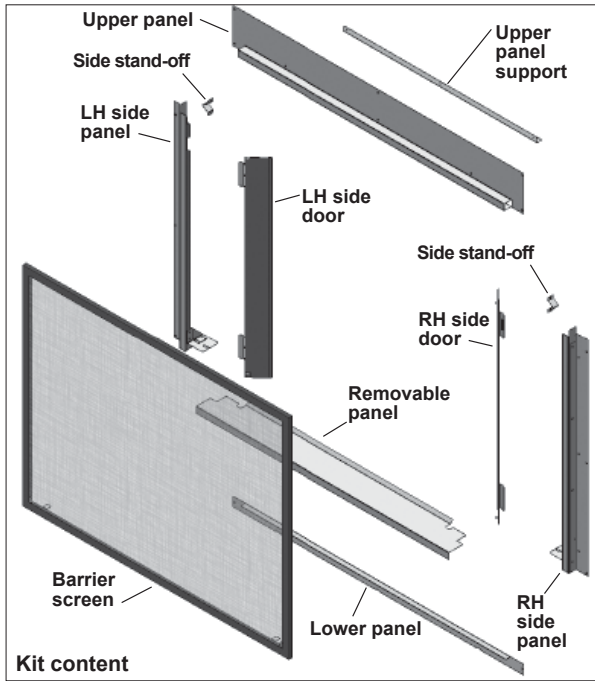
Section view, hearth—detail

Finishing with hearth

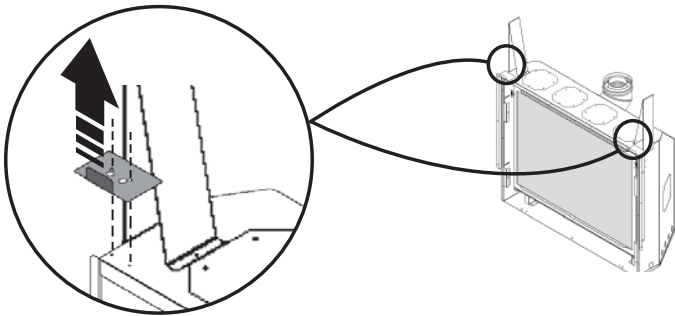
Installation

Installation

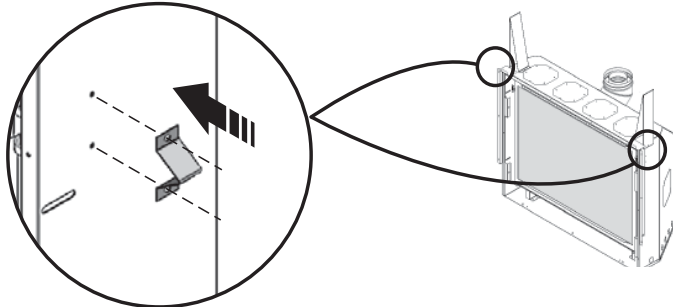
1. Unpack the 1430 kit checking that you have all the pieces on hand.



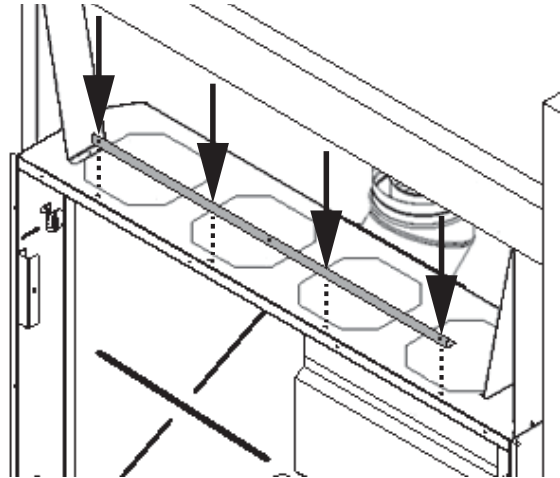
2. On the top of the appliance's case in front of the stand-offs, remove the positioning brackets (2 screws each); they are not used with this kit.



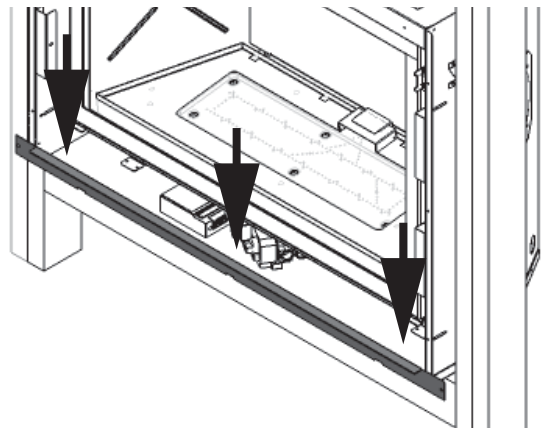
3. On the sides of the appliance case, install the side stand-offs (2 screws each).



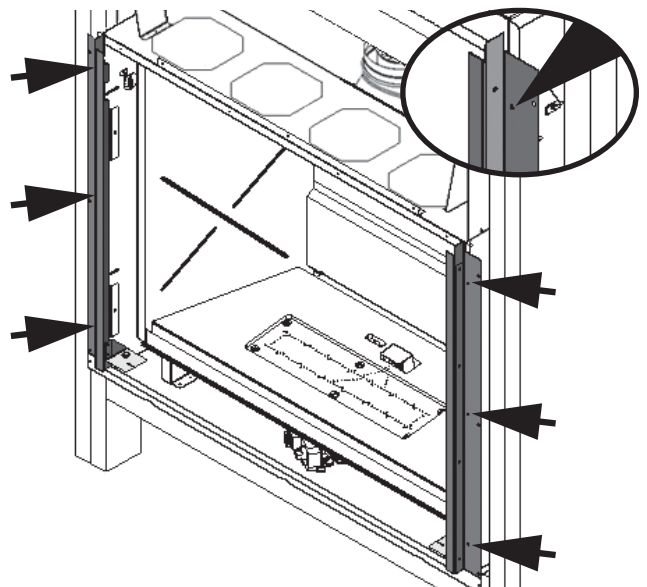
4. Fit the upper panel support to the top of the appliance's case as indicated (4 screws).



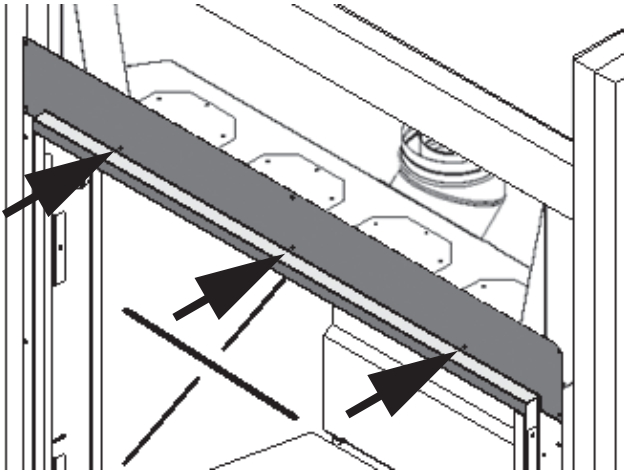
5. At the bottom of the appliance case, install the lower panel provided with the kit, as indicated (3 nuts).



6. On the appliance, install the side panels as indicated (3 screws per side).



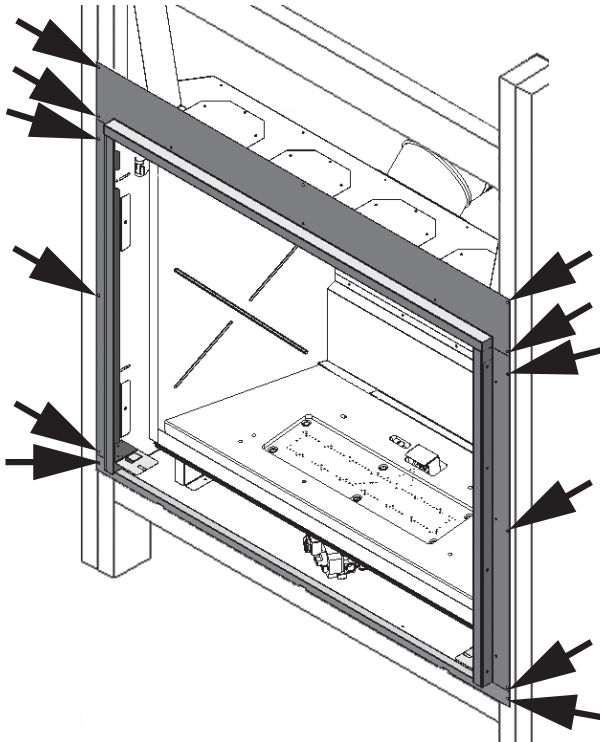
7. Install the upper panel as indicated (3 screws).



**Complete Installation of optional LDK
HeatShift Duct Kit (if used)**

See installation instructions packed with the LDK kits for details.

8. Slide the appliance into the framing and fix it to the studs on each side (6 fixing points per side).

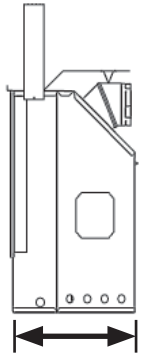
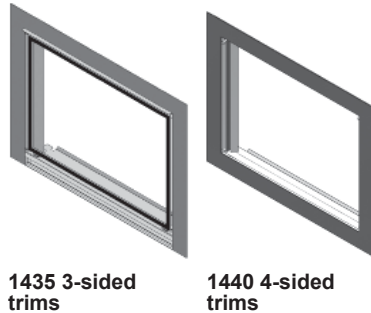


9. Set aside the side doors, removable panel and barrier screen to install later when the appliance's set-up and wall finish application are completed.
10. Continue the installation of the heater as indicated in this manual.

Install Appliance for 3 and 4-Sided Surrounds

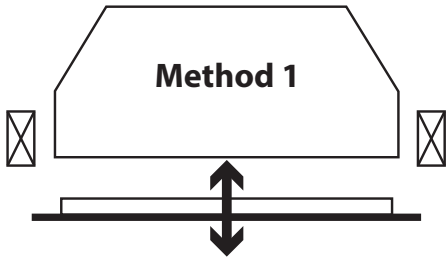
Appliance Depth in Framing—with 3 and 4-Sided Surrounds

- The 3 and 4-sided surrounds are adjustable to accommodate up to an additional 3/4" of tile or other over top of the 1/2" non-combustible wall board (Method 1).
- The appliance's position within the framing cavity may also be adjusted for depth in the framing to accommodate additional wall finish thickness "tucked" behind the surround (Method 2).

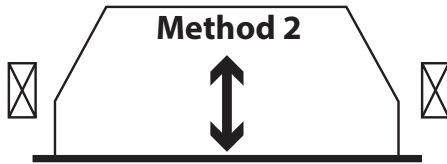


3 and 4-Sided Surrounds adjustable position

Installation Method 1



Installation Method 2

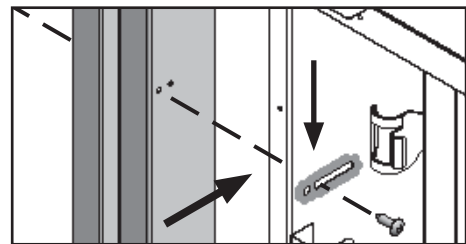
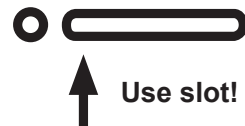
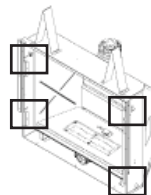
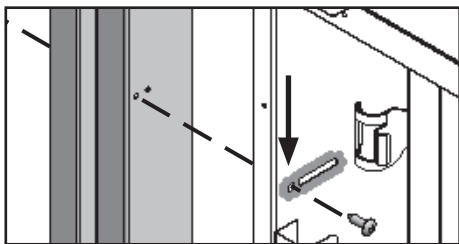


- wall finish thickness: **up to 3/4" + 1/2"** non-combustible board
- surround's depth on appliance can be adjusted to accommodate wall finish thickness

- wall finish thickness: **more than 3/4" + 1/2"** non-combustible board
- appliance's depth can be adjusted in the framing to accommodate additional wall finish thickness of up to approximately 2"

- side brackets fixing position

- side brackets fixing position

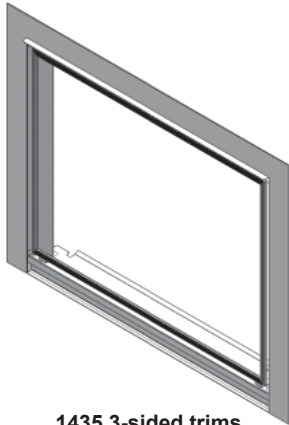


Installation

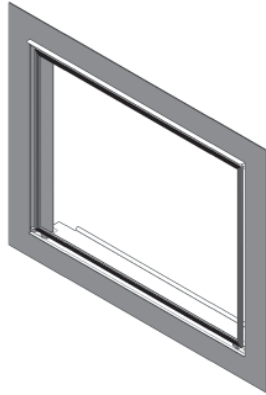
Install Appliance for 3 or 4-Sided Surrounds

The 3-sided surround 1435 and 4-sided surround 1440 are fitted to the appliance once it's installation and the wall finish application have been completed.

The side brackets provided loose with the appliance are required for those surrounds.



1435 3-sided trims



1440 4-sided trims

Hearth considerations

You need to know whether there will be a hearth or not in front of the appliance and some rules must be considered:

Without hearth

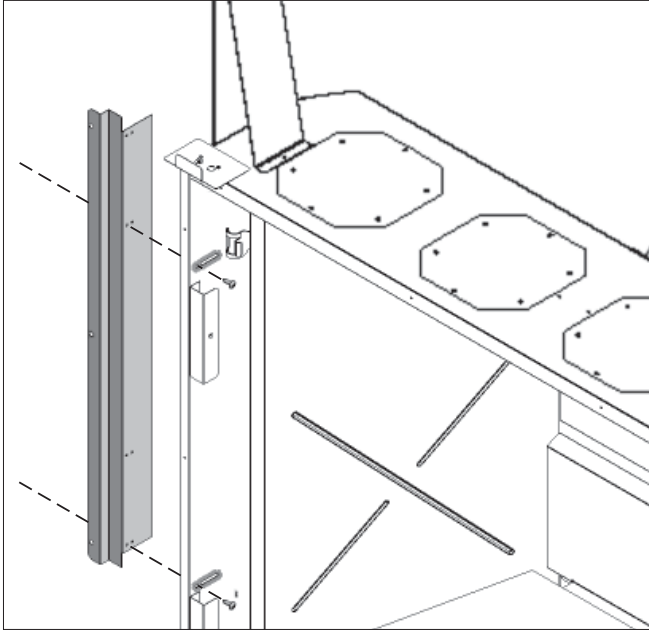
In the case where there is no hearth, the bottom of the appliance must be raised at least 4" inches (102 mm) above any combustible floor in front.

With hearth

- The bottom of the appliance must be installed level with the top of the hearth surface in most cases other than with **the 4-sided surround which hangs 1-1/2" below the bottom of the appliance.**
- Only a non-combustible hearth can be installed in front of the appliance if within 4" vertically of the bottom of the appliance.
- The non-combustible hearth in front of the appliance, if within 4" of the bottom of the appliance, must include the 1/2" *Micore* insulation board provided to be used as thermal break between non-combustible and combustible material underneath.

Fit Appliance to Framing

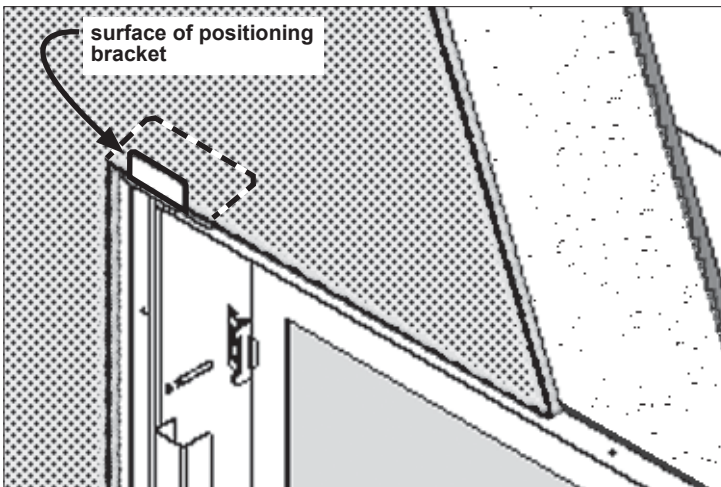
1. Install side brackets on each side of the appliance (2 screws per bracket). Use the hole or the slot according to the thickness of the wall finish—see page 50.



2. Taking great care not to cut your hands on the sheet metal edges, lift the appliance out of its packing base and place it in the framing. *Make sure that the unit is at the right height with consideration to the height of the hearth or combustible flooring.*

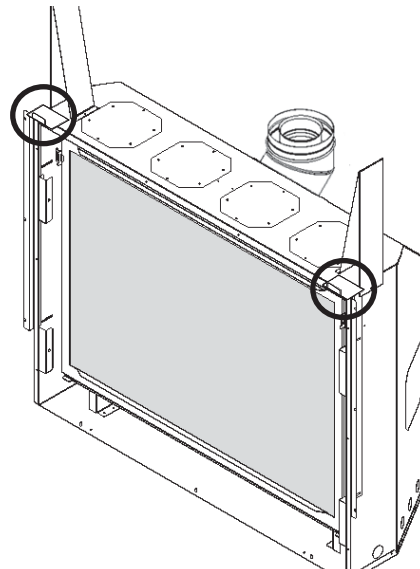
When setting the position of appliance within framing, the front surface of the positioning bracket indicated should always be flush with where you anticipate the finished wall surface to be. Adjust the position of the side brackets to suit.

If in doubt, allow for slightly less material thickness as the trims have additional 3/4" of adjustment.



Complete Installation of optional LDK HeatShift Duct Kit (if used)

See installation instructions packed with the LDK kits for details.



Installation

Install Electrical Wiring (if necessary) (for optional fan or power adapter kit)

This section provides information to install the electric pre-wiring required for use with the 1195CFK Circulating Fan Kit or GV60PAK Power Adapter Kit.

All wiring must be done by a qualified electrician in accordance with local codes or, in the absence of local codes, with the *National Electrical Code, ANSI/NFPA 70* or the *Canadian Electrical Code, CSA C22.1*.

Electrical Requirements

1195CFK—120 V, 60 Hz, less than 1 amp

General Requirements

The optional 1195CFK kit includes a three-prong grounded plug to plug into a grounded receptacle, also included with the kit, to be installed within the fireplace enclosure by a qualified electrician.

Installation

Thread the power supply cable through the cable clamp (not provided) and through the hole in the lower left hand side of the fireplace casing. Do not tighten the clamp yet. There is a junction box and receptacle included as part of the 1195CFK fan kit. Refer to installation instructions packed with kit. A speed control is also packed with the kit.

If simply roughing in power at this point, ensure wiring is not live or terminate at this location in a temporary metal junction box using wire nuts to cap wires.

Electrical wiring through the left hand side of the appliance case



Installation

Connect Gas Supply

The gas supply inlet connection is a 3/8" NPT male connector located on the right hand side of the firebox.

The unit is supplied with a stainless steel flex line to allow the appliance to be disconnected for service. An individual shut-off valve (not supplied) is required on the supply line ahead of the flex connector.

Use only new black iron or steel pipes or copper tubing if acceptable—check local codes. Note that in USA, copper tubing must be internally tinned for protection against sulfur compounds.

Unions in gas lines should be of ground joint type.

The gas supply line must be sized and installed to provide a supply of gas sufficient to meet the maximum demand of the appliance without undue loss of pressure.

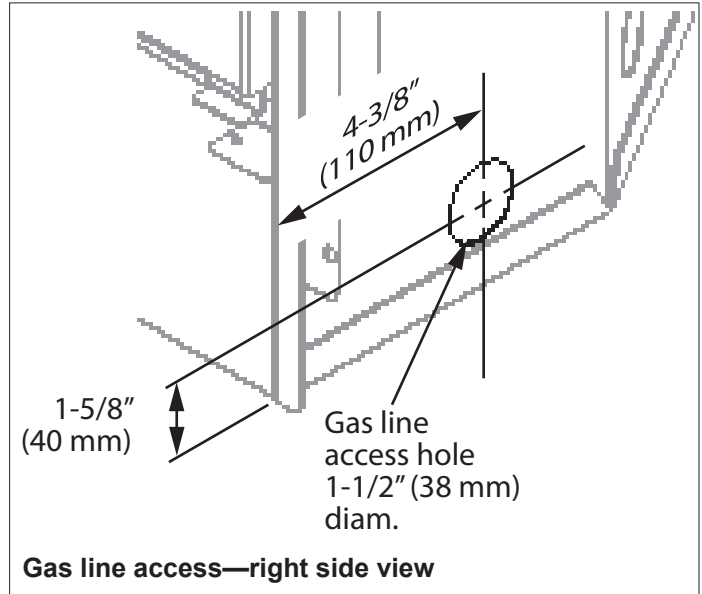
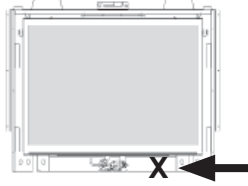
Sealant used must be resistant to the action of all gas constituents including LP gas. Sealant should be applied lightly to male threads to ensure excess sealant does not enter gas lines.

Pressure test the supply line for leaks.

The appliance and its individual shut-off valve must be disconnected from the gas supply piping system during any pressure testing of that system at test pressures in excess of 1/2 psig (3.5 kPa).

The appliance must be isolated from the gas supply piping system by closing its individual manual shut-off valve during any pressure testing of the gas supply piping system at test pressures equal to or less than 1/2 psig (3.5 kPa).

Failure to either disconnect or isolate the appliance during pressure testing may result in regulator or valve damages and void the warranty. Consult your dealer in case of damages.



Pressure Test Points

The minimum supply pressure is given in the section *Specifications* of this manual—page 22.

All piping and connections must be tested for leaks after installation or servicing. All leaks must be corrected immediately.

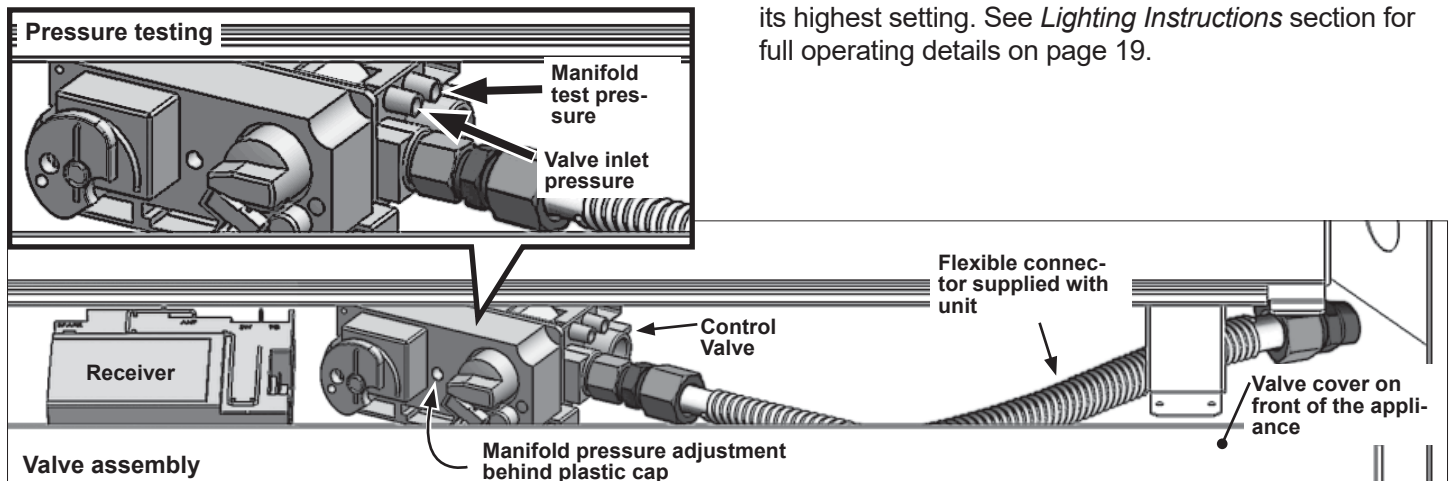
When testing for leaks:

- Make sure that the appliance is turned off.
- Open the manual shut-off valve.
- Test for leaks by applying a liquid detergent or soap solution to all joints. Bubbles forming indicate a gas leak.

**Never use an open flame to check for leaks.
Correct any leak detected immediately.**

The pressure test tapping locations are shown in the figure below. An internal regulator within the valve controls the burner manifold pressure.

The correct pressure range is shown in the table in section *Specifications* of this manual on page 22. The pressure check should be made with the burner alight and at its highest setting. See *Lighting Instructions* section for full operating details on page 19.

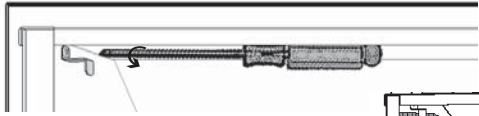


Installation

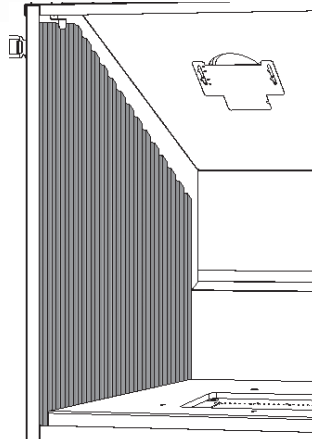
Install Liners

The following guidelines apply for all liners with the exception of the 1470RGL—Reflective Glass Liners; the instructions are provided with the kit.

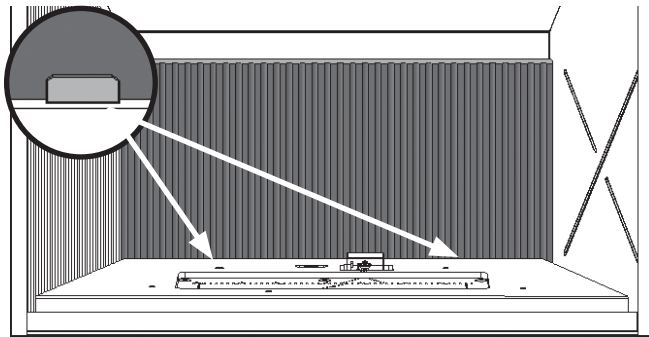
1. Inside the firebox, on the top of each side, release the screw of the side panel anchors if necessary so they can rotate freely (one per side).



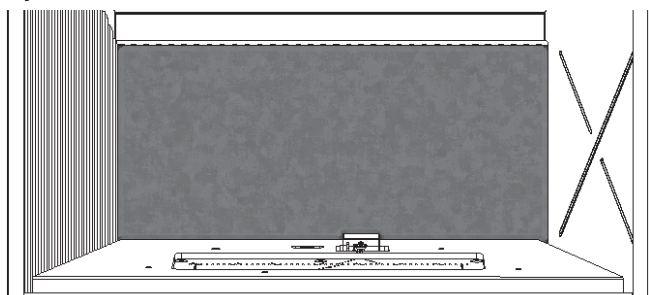
2. Insert the bottom of one of the side liner panel between the burner and the side wall and rotate it slightly to insert it totally inside the firebox. Push it gently against the side wall. Rotate the side panel anchor to hold the panel in place.



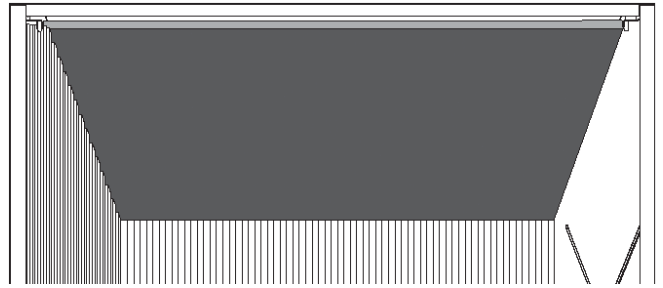
3. Place the rear panel against the back of the firebox behind the rail retainers at bottom and behind the side panel already installed.



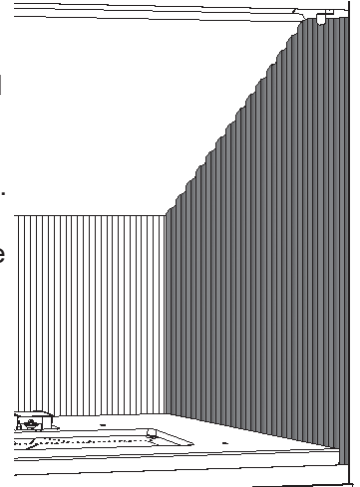
Note: If you are installing the optional 1405RGL—Reflective Glass liner panel (with 1425FBL—Fluted Black Liners or 1460PBL—Black Liners), place the reflective panel, smooth side visible, in front of the rear ceramic panel, held in place as well by the bottom rail retainers.



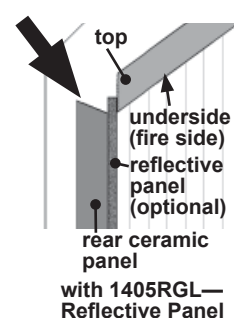
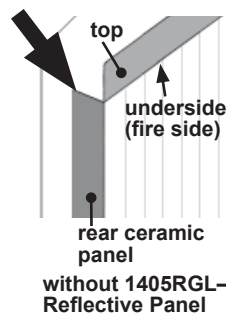
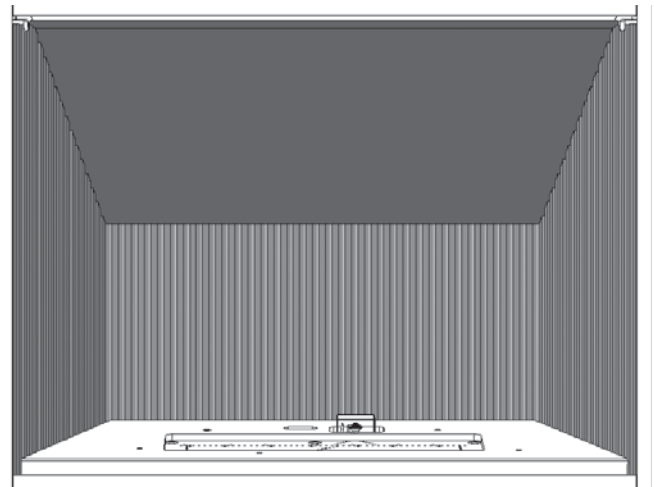
4. Insert the top panel, beveled edge towards the back of the firebox, on top of the side and rear panels.



5. Insert the bottom of the other side liner panel between the burner and the side wall and rotate it slightly to insert it totally inside the firebox. Push it gently against the side wall. Rotate the side panel anchor to hold the panel in place.



6. Slide the top across the top of the other panel to rest on both side panels and rear panel.



Install Driftwood Kit 1400DWK

Material required

- Driftwood Kit containing:
 - 5 logs
 - 7 pebbles
 - 1 x 1.5 lb bag of 3/4" grey/black shale
- Gloves, if desired

Installation

Logs

Carefully unpack the kit. Install the logs as shown below.

1. Fill the cavity on the ceramic platform with one layer of shale pieces.



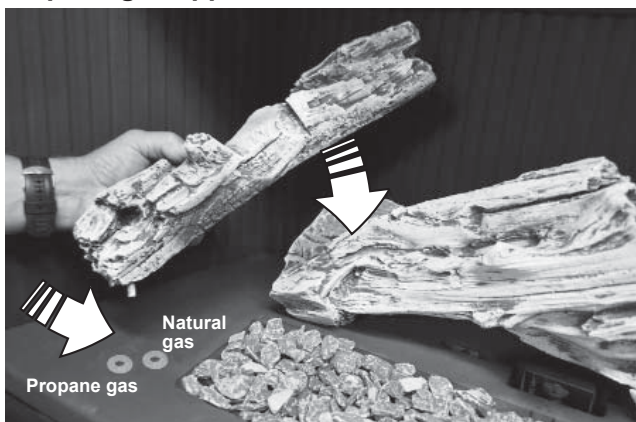
2. Place the rear log in position inserting its pins into the holes at the rear of the burner.



3. Place the left log inserting its pin into the hole in the front of the platform and resting its rear end on flat space on the rear log.

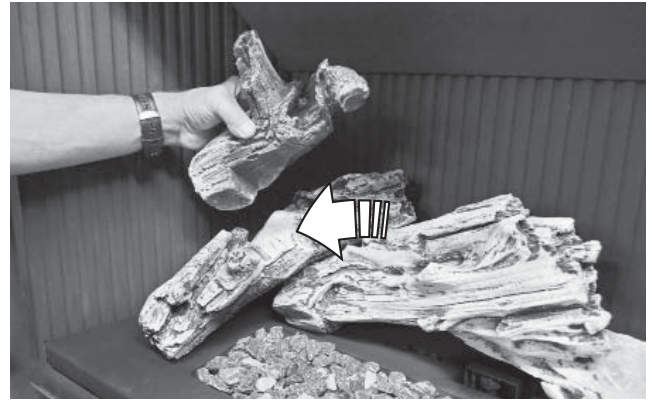
Natural gas appliance: Use the rear hole.

Propane gas appliance: Use the front hole.



4. Notch the left cross log on top of the left log and rest its curved end on the shale fuel bed. Move pieces of shale so the log's end rests on the platform itself. Adjust the position according to fuel used.

Natural gas appliance: The curved end of the log should rest centered in the shale bed between the front and the rear.

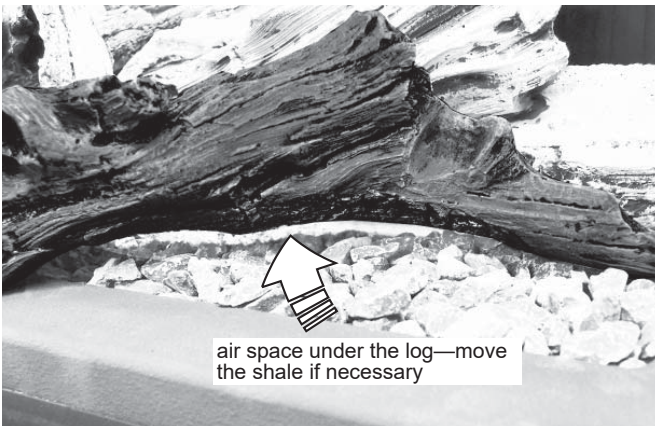
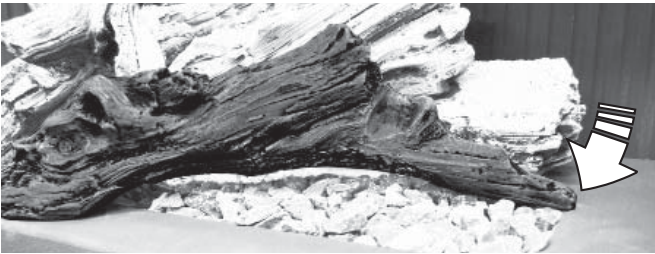


Propane gas appliance: The curved end of the log should rest forward in the shale bed, about 1 inch from the front edge of the burner cavity.

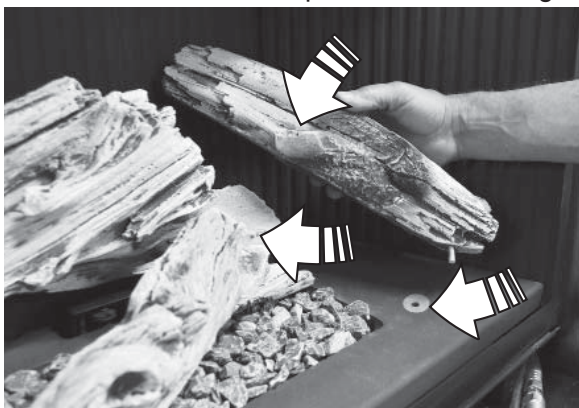


Installation

- Place the right cross log inserting its pin in the hole at the front center of the platform. Rest its narrow flat edge about 1 inch in front of the rear edge of the burner's cavity. There should be an air space under the log; move the shale pieces if necessary.



- Place the right log inserting its pin on the front right hole on the burner platform; the block in the middle goes to the notch on the right cross log and the other end rests on the flat space on the rear log.



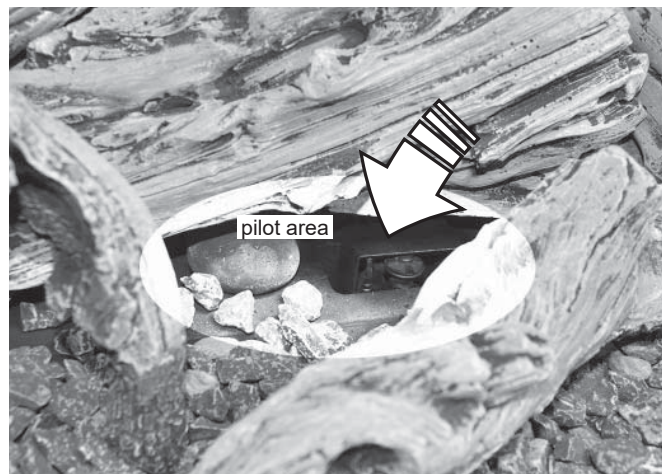
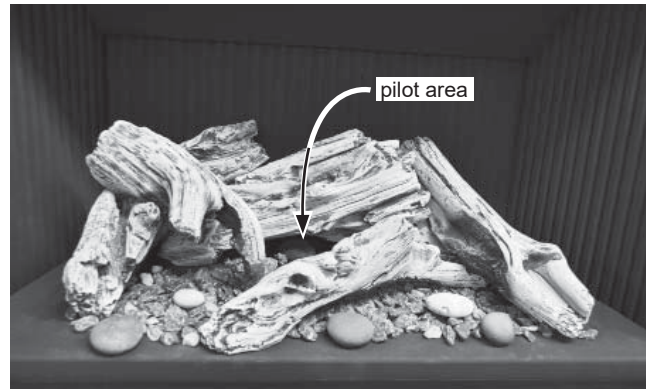
- Add some shale to cover the edge of the cavity in the burner platform.



Pebbles

Place the pebbles on the shale and platform as suggested below.

NOTE: Ensure the area within and in front of the pilot shield is not blocked by shale particles or rock.



WARNING

CHOKING HAZARD! Ensure that the fireplace area is clear of shale particles as these could be ingested by small children. Vacuum area after installation.

Installation

Install Decorative Glass Murano 1400DGM

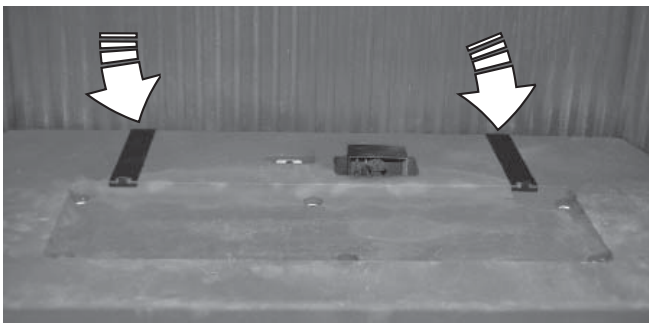
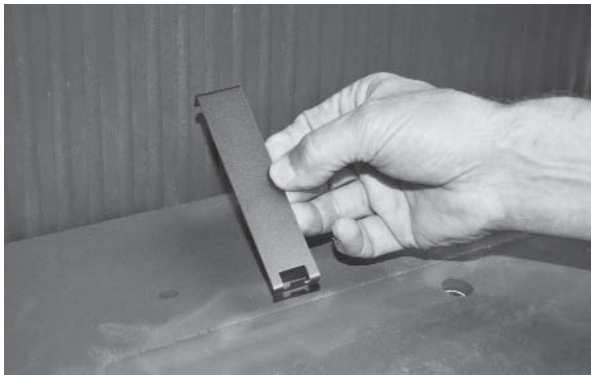
Material required

- Decorative Glass Murano kit containing:
 - 1 glass platform
 - 1 glass square pad
 - 1 pilot shield
 - 2 platform retainers
 - 1 bag of clear 1/2" fireglass
- Gloves (recommended to manipulate glass)

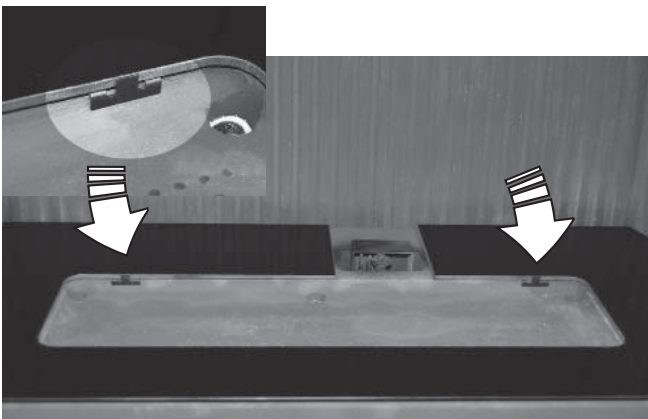
Installation

Carefully unpack the kit. Wear gloves to handle the fireglass.

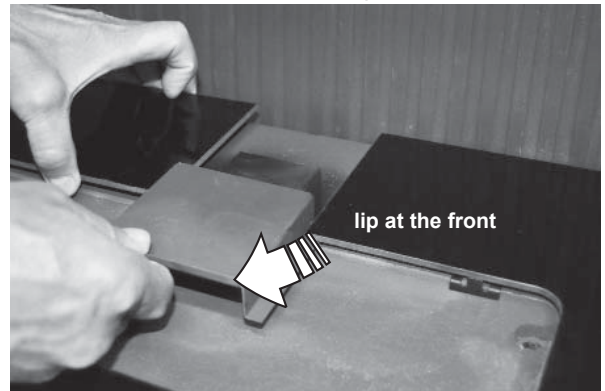
1. Install the two platform retainers as indicated.



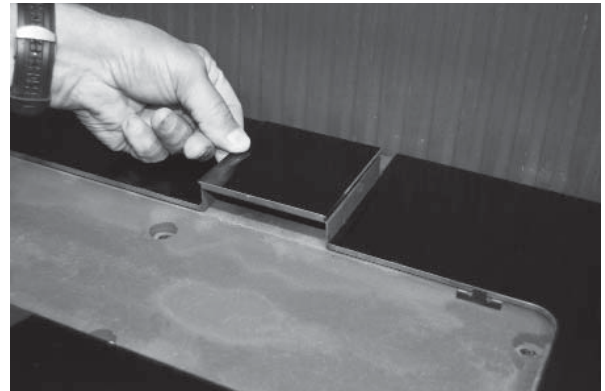
2. Install the glass platform on top of the retainers.



3. Lift the glass platform slightly and insert the pilot shield over the pilot cover. Note the orientation of the pilot shield with the lip being at the front.



4. Place the square glass pad on the pilot shield.



5. Carefully spread the glass on top of the burner within the platform opening.



NOTE: Ensure the area within the pilot area is clear of glass particles.

⚠ WARNING

CHOKING HAZARD! Ensure that the fireplace area is clear fireglass particles as these could be ingested by small children. Vacuum area after installation.

Installation

Install Decorative Glass Set 1400DGS

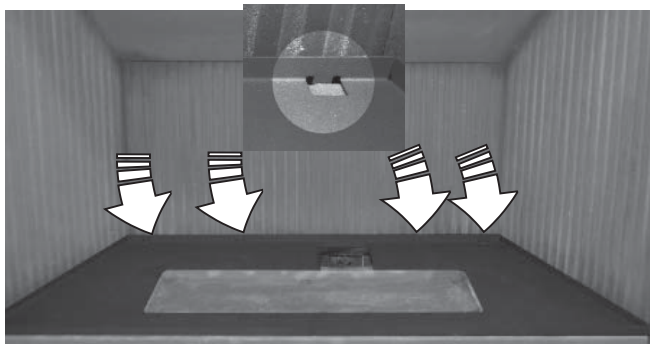
Material required

- Decorative Glass Set containing:
 - 1 metal tray
 - 1 pilot shield
 - 3 bags of clear 1/2" fireglass
- Gloves (recommended to manipulate glass)

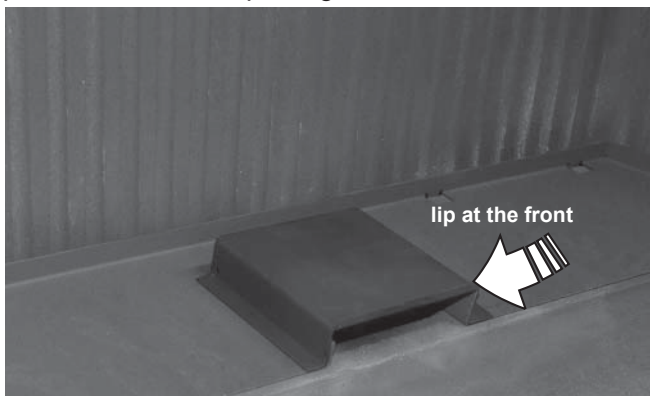
Installation

Carefully unpack the kit. Wear gloves to handle the fireglass.

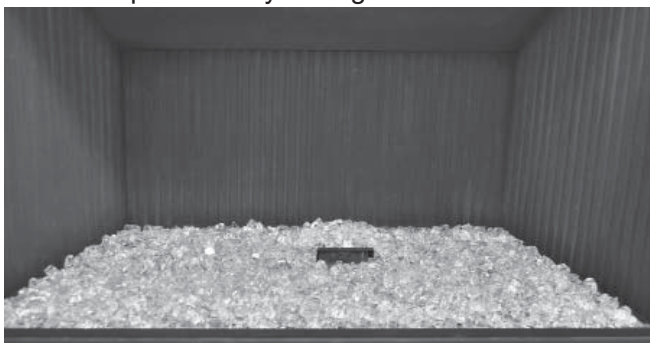
1. Install the metal tray over the ceramic burner.



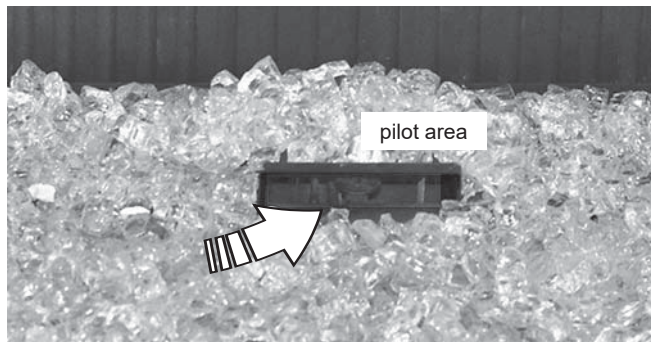
2. Place the pilot shield on top of the metal tray spanning over the pilot area cut-out. Note the orientation of the pilot shield with the lip being at the front.



3. Carefully fill the metal tray with fireglass, leveling it with the top of the tray's flange.



NOTE: Ensure the pilot area is clear of glass particles.



⚠ WARNING
CHOKING HAZARD! Ensure that the fireplace area is clear fireglass particles as these could be ingested by small children. Vacuum area after installation.

Install Traditional Log Kit 1400LSK

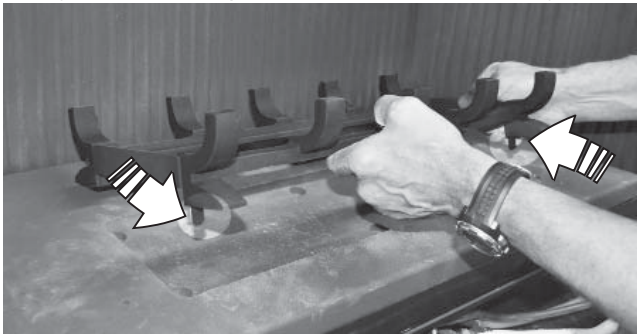
Material required

- Log set containing:
 - 1 grate
 - 7 logs
 - 2 bags of loose coal pieces
- Gloves, if desired

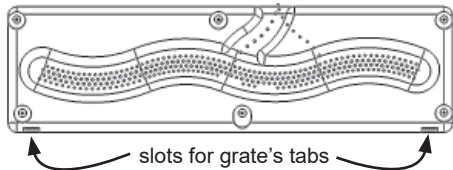
Installation

Unpack the ceramic logs very carefully to avoid damaging them. Install the logs as shown below. Please note that **the position of the logs is critical to insure proper performance of the appliance.**

1. Place the grate securing it by inserting the tabs in the slots at the front edge in the burner platform cavity. Center the grate with the burner cavity.

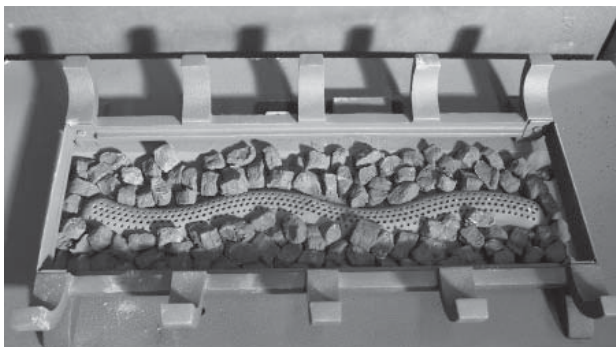


top view of burner

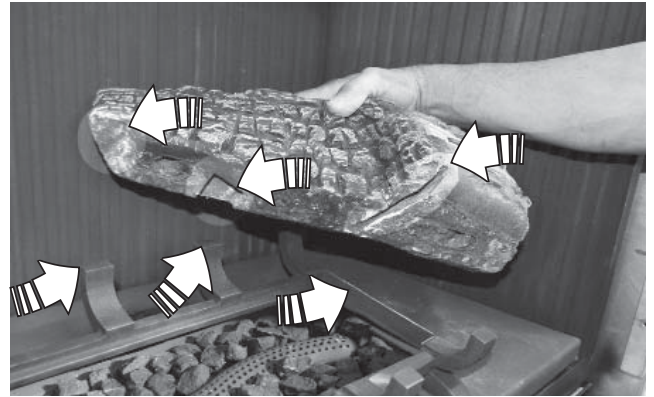


2. Carefully place the loose coal pieces around the middle section as shown. Do not put pieces on the ports yet. A single layer of coals is all that is required. Remaining coals can be used later on (step 13) outside the burner cavity to hide driftwood log location pin holes in burner.

Note: Avoid piling coals against the sides of the grate to allow air flow under the grate.

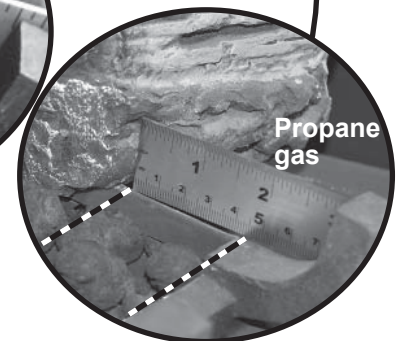
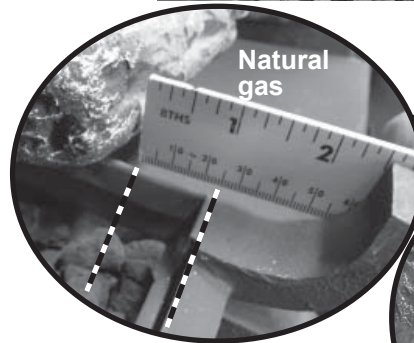
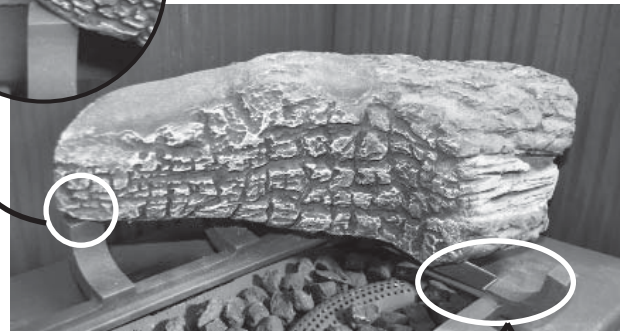
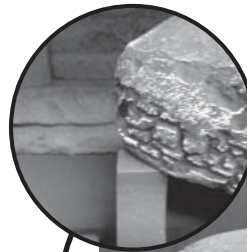


3. Place the right rear log inserting the grate's right side support into the slot on the underside of the log and resting the log's end on the rear middle tine of the grate as indicated.



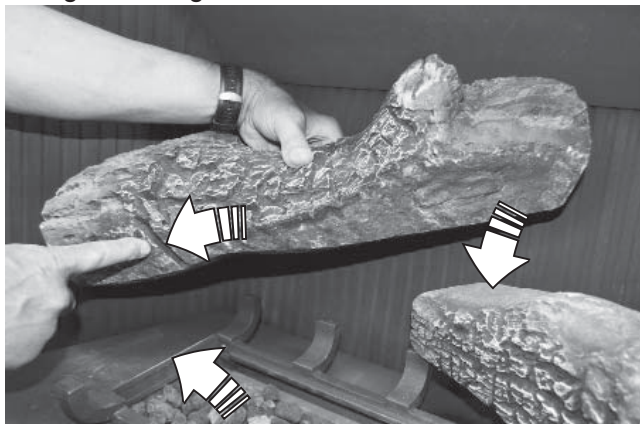
Note: This gap between the log and the front inside edge of the grate depends of the gas type used.

- Natural gas = 1"**
- Propane gas = 1-3/4"**

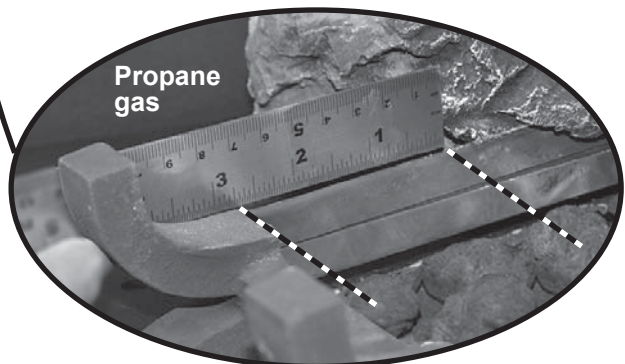
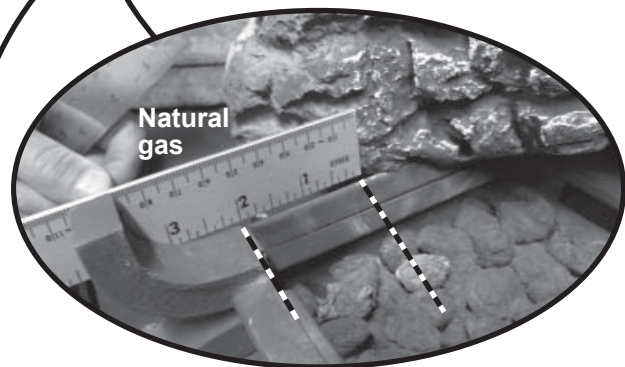
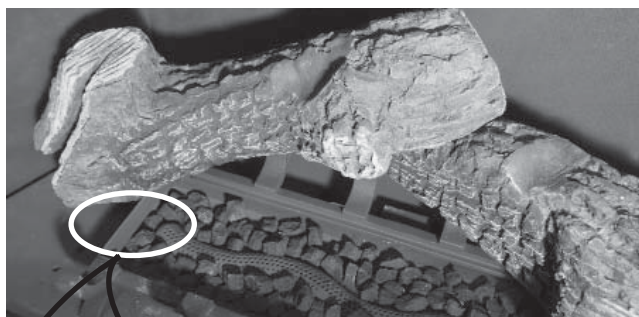


Installation

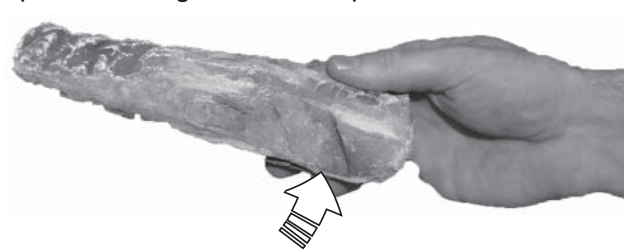
- Place the left rear log on the grate's left side support and resting the log's end on the flat space on top of the right rear log as indicated.



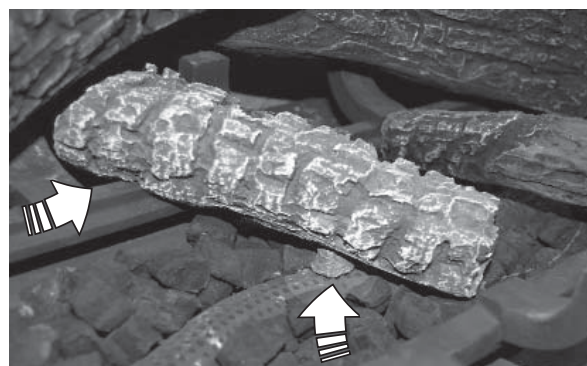
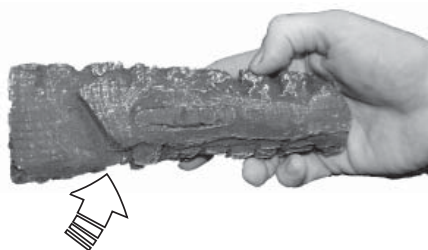
Note: This gap between the log and the front inside edge of the grate depends of the gas type used.
Natural gas = 2" **Propane gas = 2-3/4"**



- Place the right front log resting its notch against the grate's second tine as indicated. Orient the narrow part of the log towards the pilot.

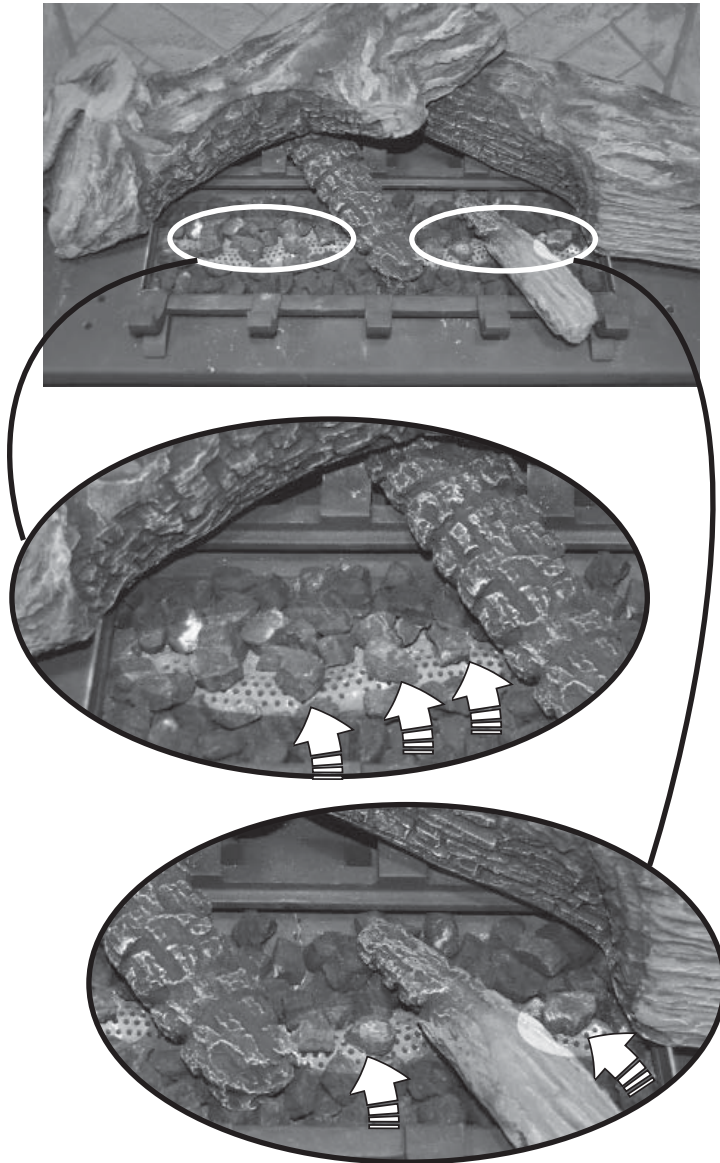


- Place the lower rear log's notch on the grate's rear support under the left rear log as indicated. Add a piece of coal under the end of the log to prop it up as indicated.

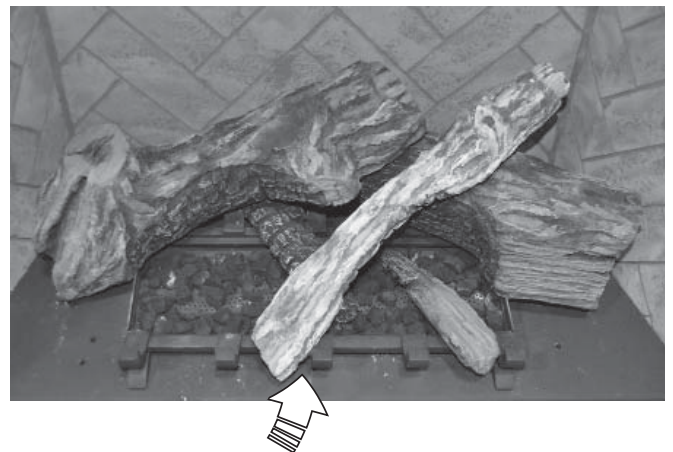
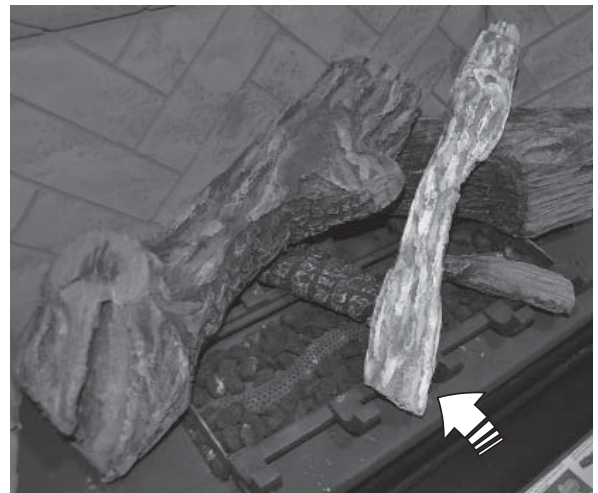
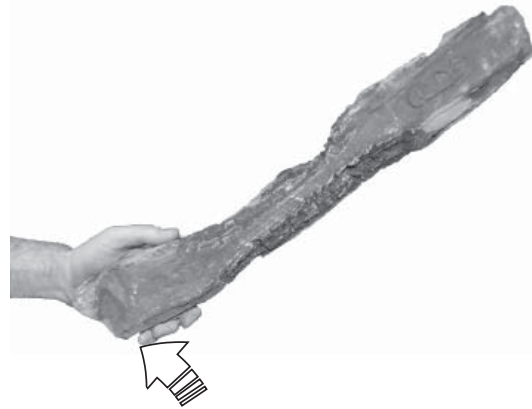


Installation

7. Place pieces of ember on top of the ports as indicated. Ensure to leave space between the pieces.

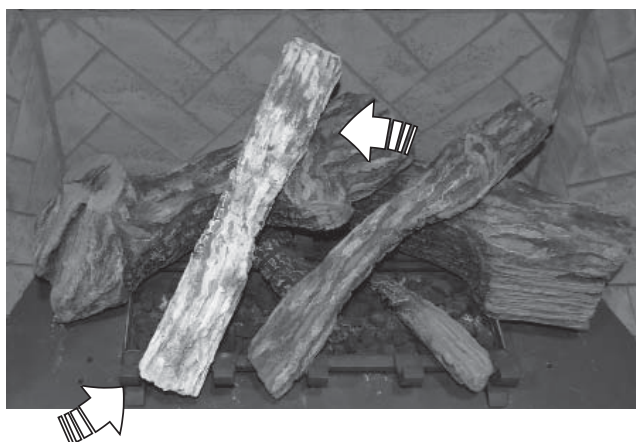


8. Place the right top log resting its front end notch between the grate's third and fourth tines and rest its other end in the notch on the right rear log as indicated.

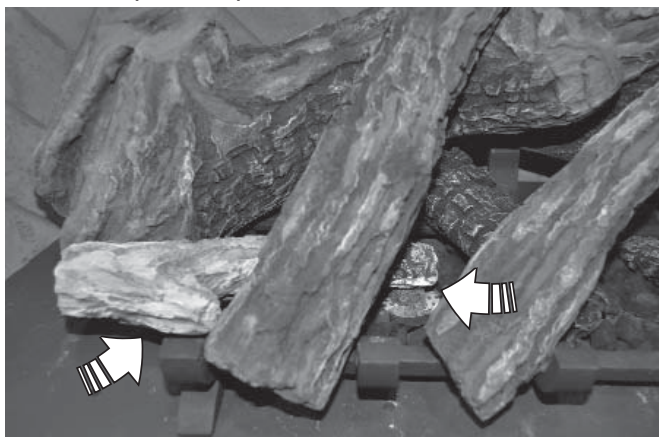


Installation

9. Place the left top log resting its front end notch between the grate's first and second tines and its other end on rear log notch as indicated.



10. Place the left front log resting it on the grate left support. The other end of the log rests on pieces of coal on top of the ports.



11. Add some loose coals pieces on the ceramic platform as suggested.



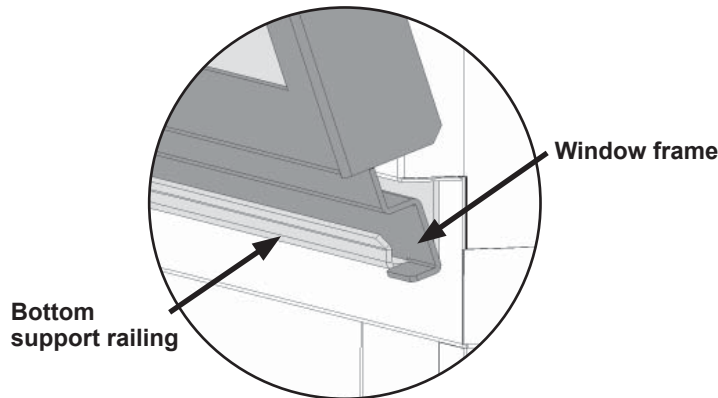
⚠ WARNING

CHOKING HAZARD! Ensure that the fireplace area is clear of loose coals pieces as these could be ingested by small children. Vacuum area after installation.

Installation

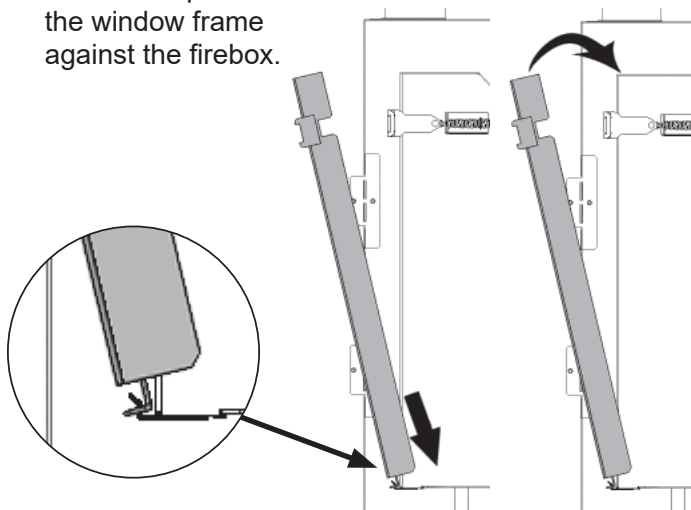
Refit Window

1. To refit the window, place it in its bottom support railing. **Ensure there is no glass or vermiculite particles in the bottom railing.**

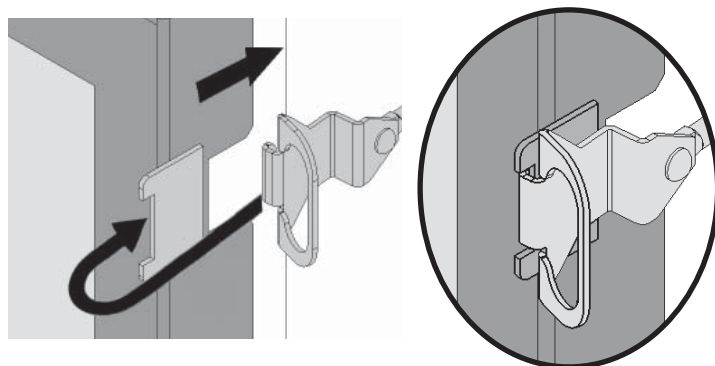


2. Push the top of the window frame against the firebox.

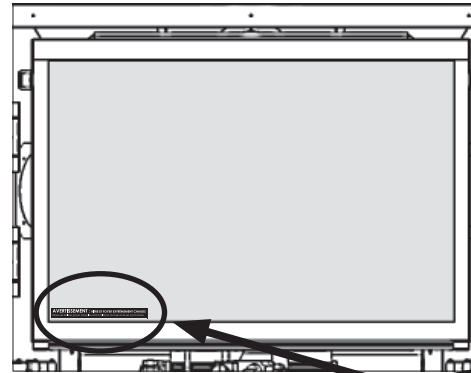
Section Views



3. While you hold it, pull the side levers back into the window brackets on each side.



4. Apply firm hand pressure around the window frame to ensure the window is sealed tight against the firebox.
5. If the Hot Glass Warning plate has been removed from the front lower corner of the window, reinstall it by sliding it between the glass and the frame as indicated.



! WARNING: EXTREMELY HOT GLASS AND FIREPLACE
Risk of severe burns. Keep Children away from fireplace & controls.

Hot Glass Warning Plate



! DANGER

The window unit must be correctly installed, fastened and sealed after servicing or serious bodily injury and/or damage to the appliance may result.

To ensure a safe operation:

- Double-check that the bottom of the window frame is correctly installed in the bottom support railing;
- Verify that the levers are hooked properly to the window tabs then;
- Pull out the top of the window and release it to insure the springs return it;
- Ensure the window is sealed before operation.

! WARNING

Failure to install window correctly can affect the performance of the fireplace, damage components, cause overheating resulting in dangerous conditions. Damage caused by incorrect window installation is not covered by the Valor warranty.

Installation

Install Remote Battery and Wall Switch Kit RBWSK (required)

The Remote Battery and Wall Switch Kit is provided with this appliance. It is connected to the receiver in the fireplace.

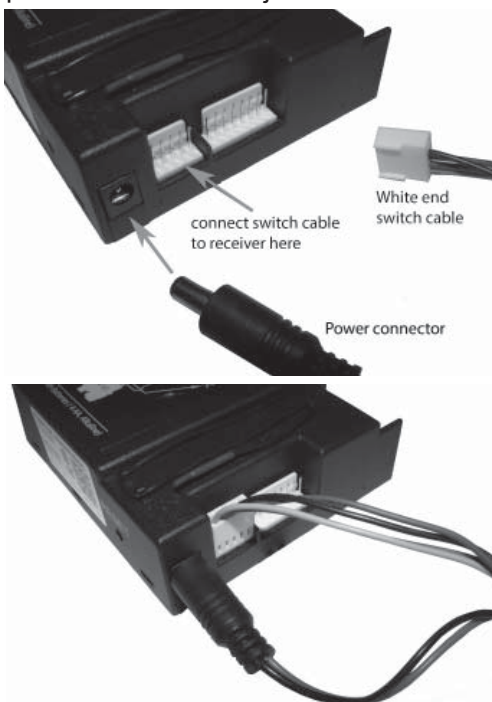
Material required

- 4 AA 1.5V alkaline batteries supplied with the engine
- Remote Battery and Wall Switch Kit, which contains:
 - 1 Wall Switch
 - 4 Long Screws
 - 1 Battery Holder
 - 1 Plate with magnets
 - 1 Battery Cover assembly
 - 1 Harness assembly - 35 ft
 - 1 Junction Box
 - 1 Cover plate and Screws
 - 1 Cable tie

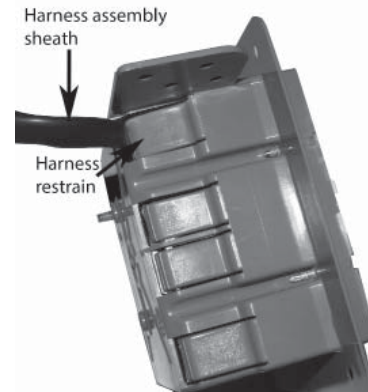
Installation

The receiver is located on the left side of the appliance, left of the control valve behind the appliance's front panel. It is maintained in position with *Velcro* bands.

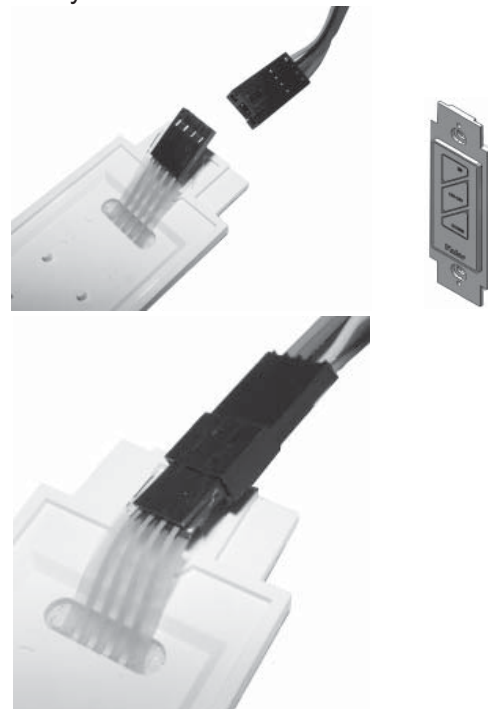
1. Pull out the receiver from its location to connect the battery holder and wall switch.
2. Feed the 'white connector end' of the harness assembly through side holes in fireplace liner body to receiver. Ensure sufficient harness length to allow for removal of receiver. Note - coil up any extra harness at fireplace end.
3. Connect switch to auxillary 5-pin junction and power connection to jack.



4. Run harness assembly to mounted position of junction box, securing harness to framing using insulated staples (not included)
5. Feed harness assembly through a restrain on rear of junction box, feeding through until harness sheath is pinched by retainer and providing sufficient length to make connection to rear of switch and battery holder.



6. Secure junction box to the mounting surface using appropriate fasteners (not included)
7. Align molex connection on switch cable of harness assembly and connect to switch.

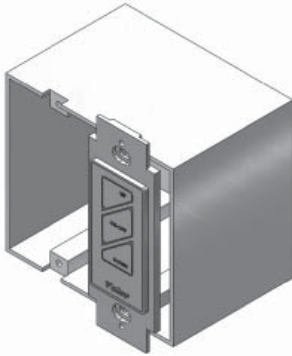


CAUTION

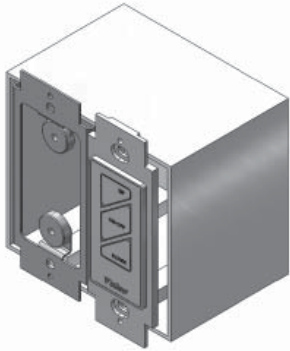
Do not run the switch wire over the top of the firebox. Route the wire so it does not contact the firebox.

Installation

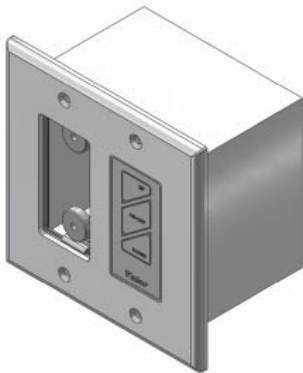
8. Mount switch plate to junction box with 2 long screws provided. Note: switch position left or right to suit homeowner wishes.



9. Locate and secure magnet plate using 2 'long' screws provided

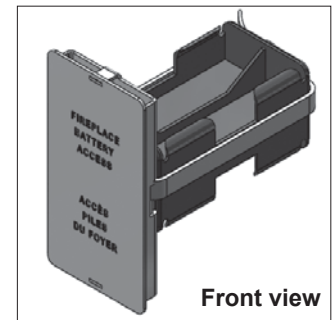
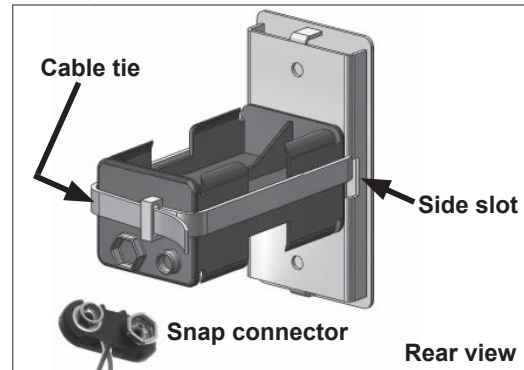


10. Place and secure cover plate to box using 4 screws provided



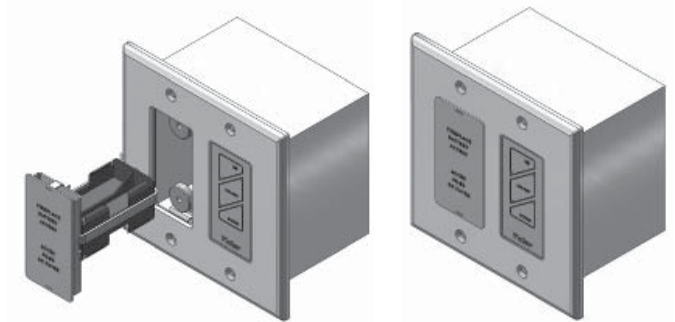
11. Feed cable tie through the 2 side slots of battery cover assembly.

12. Position battery holder to rear face and secure together with cable tie. note clearance is required for battery snap connection.



13. Make the snap connection, load 4 AA alkaline batteries into holder (included with fireplace) then feed back into junction box assembly.


Note: Do not put batteries in the receiver, only in the battery holder by the wall switch.



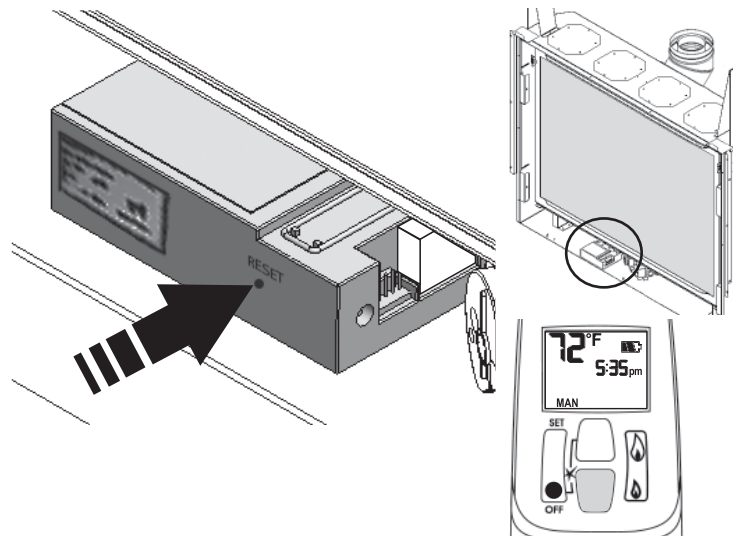
14. Test the operation of the wall switch—see page 17.

Initialize Remote Control

The receiver and the handset of the remote control system must be initially synchronized before the first use.

1. Insert one 9 V **alkaline** battery in the handset.
2. Locate the Reset button on the top side of the receiver.
3. With a sharp object, press and hold the receiver's reset button until you hear one short and one long beeps. Release the reset button after the second beep.
4. Within the subsequent 20 seconds, press the (small flame button ()) on the remote handset until you hear two short beeps confirming the synchronization is set.

This is a one time setting only and is not required when changing the batteries in the remote battery holder. The remote control system is now ready to use.



Installation

Check Operation

Turn the fireplace flame up and down using the remote control to confirm that the full range of inputs is achieved—see the remote control operation instructions on pages 12–17.

Adjust Aeration if needed (Natural gas only)

Light the fire and allow the unit to warm up for 10–15 minutes to evaluate the flame picture. The burner is equipped with an adjustable shutter to control primary aeration. The shutter is factory-set to an aeration gap which will give optimum performance for the vast majority of installations.

Depending of the fuel bed used, altitude and other considerations, the flame picture may be improved by adjusting the aeration. The need for adjustment should be determined only by operating the appliance with the fuel bed, panels and window installed and evaluating the flame picture after a 15-minute warm-up.

Increasing aeration will cause the flames to appear more transparent and blue showing more ceramic effects glow.

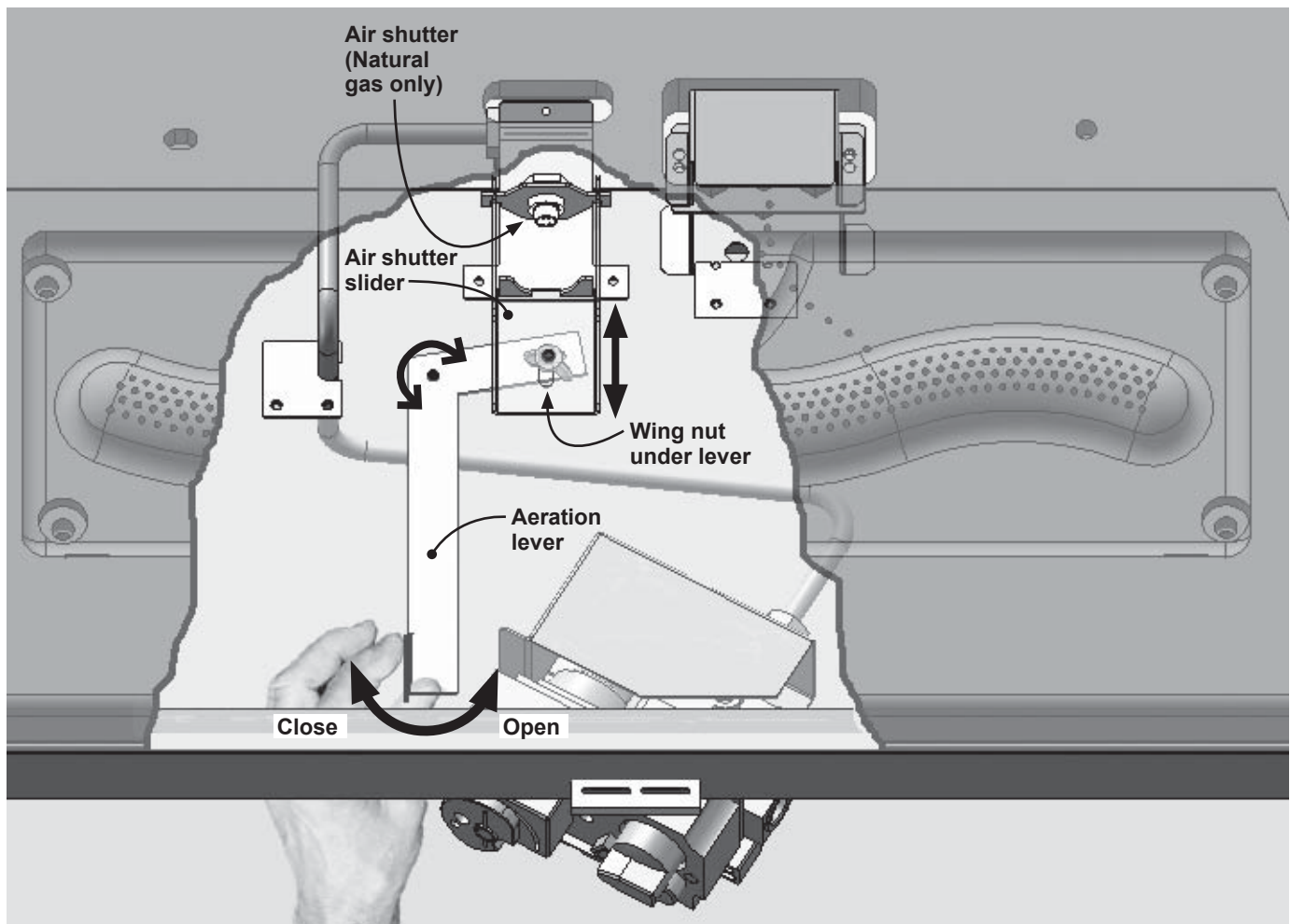
Decreasing aeration will cause the flames to appear more yellow or orange showing less ceramic effects glow.

Too little aeration may result in black carbon forming on logs or roof panel and dropping into the firebox.

Air Shutter (Natural gas only)

The air shutter is located at the back of the burner. It is linked to a lever located under the firebox. To adjust the air shutter:

1. Locate the aeration lever and the wing nut under the firebox left of the valve.
2. Loosen the lever's wing nut. **Do not remove the wing nut!**
3. Move the lever left or right to the desired position.
4. Tighten the wing nut.



Installation

Install Surround and Barrier Screen

Install the surround chosen by the customer for their fireplace. Install as well the barrier screen which is provided with the surround.

Show the customer how to remove the barrier screen to access the controls.

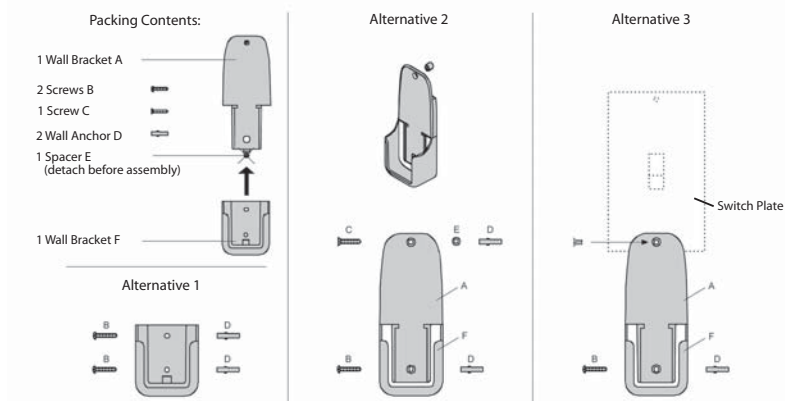
Follow the instructions provided with the surround and leave those instructions behind for the customer's further reference.

Install Remote Control Handset Wall Holder

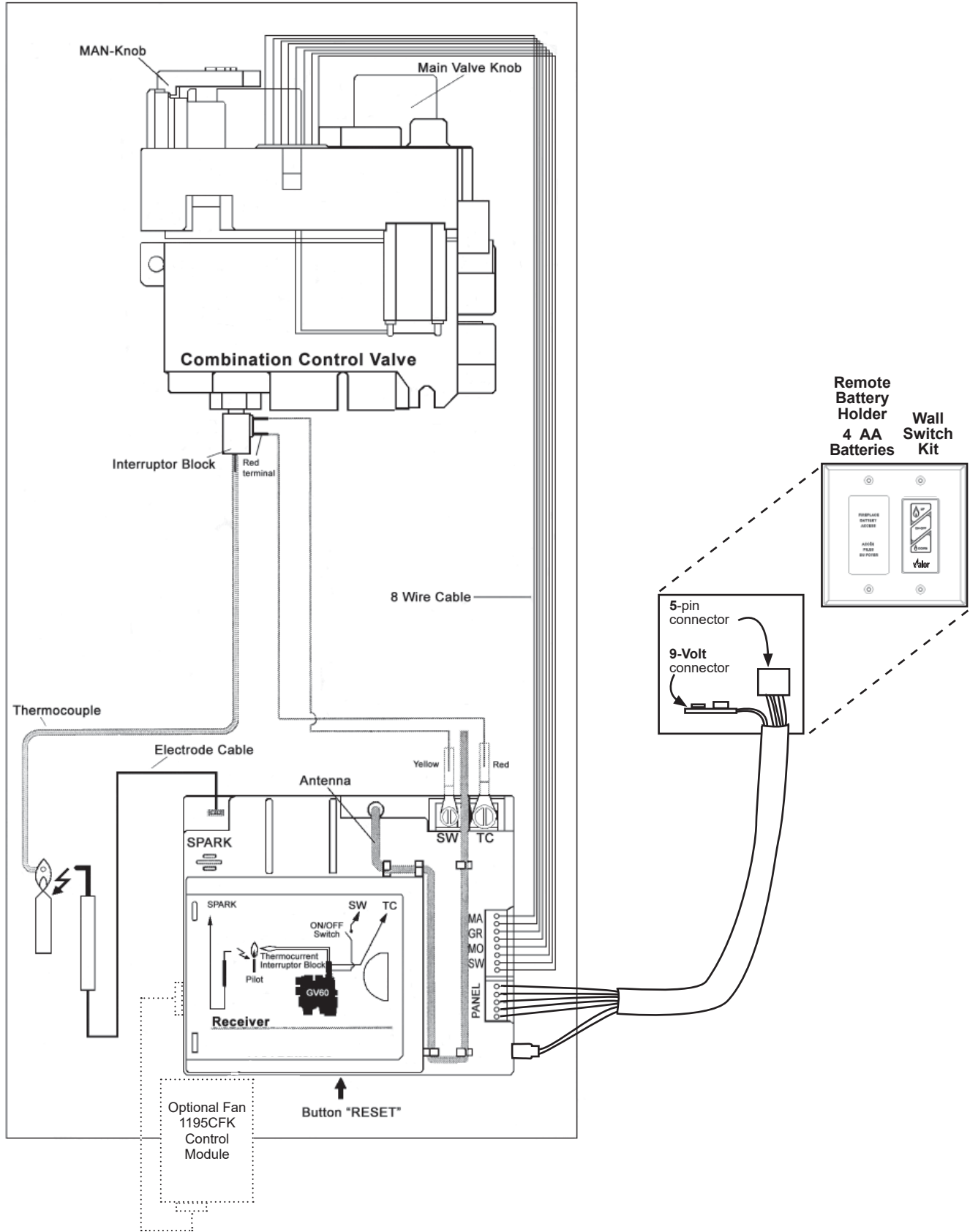
The remote control kit for this fireplace comes complete with a wall-mounted holder. This holder is not required in all installations but is provided as an optional feature for those customers who wish to mount the remote handset to the wall.

To install the holder to the wall, find a convenient location and use the hardware provided with the kit. See the diagram below for required hardware and configurations. Note that the holder can be installed at the base of a light switch plate.

IMPORTANT. The location of the remote control handset is important to assure proper temperature regulation. To obtain a constant temperature, we recommend that the handset should be between 3 and 15 feet away from the appliance **but not directly above it**. We also advise that the handset should be located away from any other heat source and not in direct sunlight as this may affect the temperature sensor located in the remote handset.



Wiring Diagram



GV60 Wiring Diagram

Approved Venting Components

**QUALIFIED
INSTALLER**

Approved Direct Vent Suppliers for Valor Models 1100, 1150, 1400, 1500, 1600⁵ and 1700⁶

Venting Parts Description		Venting Parts Code / availability by Manufacturer									
		DURA-VENT	SELKIRK	ICC EXCEL DIRECT	SECURE VENT	RLH INDUSTRIES	AMERIVENT	MILES INDUSTRIES	BDM		
Termination Caps	Horizontal	Standard Co-axial	46DVA-HC	4DT-HC	TM-4HT	—	—	4DHC round	658DVK2	940160	
		Deluxe Co-axial	—	—	TM-4DHT	—	—	4DHCS square	—	940160	
		High Wind Co-axial	—	—	—	SV4CHC	—	—	—	—	
	Vertical	Standard Co-axial	46DVA-VC	4DT-VC	TM-4VT	—	HSDV4658-1313	4DVC	—	940264	
								4DH-1313		940364	
								—		940206LP	
		High Wind Co-axial	46DVA-VCH	—	—	SV4CGV	—	—	—	—	
		Extended Co-axial	46DVA-VCE	—	—	—	—	—	—	—	
		Co-linear	46DVA-CL33 46DVA-CL33H 46DVA-CL34 46DVA-33P 46DVA-CL34P	—	—	3PDVCV	—	HS-C33U-99 HS-C33F-1313	HCL-99-33	559CLT	940033B
									HCL-913-33		940034B
HCL-1313-33	940033HWS										
—	940033RD										
Snorkel, 14" Rise	46DVA-SNK14	4DT-ST14	TM-4ST14	—	—	—	4D14S	—	94040614		
Snorkel, 36" Rise	46DVA-SNK36	4DT-ST36	TM-4ST36	—	—	—	4D36S	—	94040636		
Vent Adapters / Couplers	Universal Adapter 3" Flex Coupler	2150	—	TM-CFAA3	—	—	—	—	95090390		
	Co-linear Flex Connector	46DVA-ADF	—	—	—	—	—	—	—		
	Co-axial-to-Co-linear Adapter	46DVA-GCL ⁶	—	TM-4CAA ⁶	—	—	4DCAB33 ⁶	1156CLA ^{5,6}	940106433 ⁶		
	Co-linear-to-Co-axial Adapter	46DVA-GK	—	TM-4CTA	—	—	4DCAT33	—	—		
Aluminum Flexible Liner	3" or 4" diameter	NOTE: 2-ply liner approved to CAN/ULC S635 suitable for venting gas appliances. As manufactured by Z-Flex, Flexmasters or others.									
		2280 Series	AF3-35L	—	—	—	—	—	—	952703 952704	
Adjustable Pipe Length and Pipe Extensions 4" x 6-5/8"	Galvanized or Black	46DVA-08A 46DVA-08AB (3" to 7")	4DT-ADJ 4DT-ADJ(B)	—	—	—	—	4D7A or 4D7AB (3" to 5")	—	94610608 (4" to 8-1/2")	
		46DVA-16A 46DVA-16AB (3" to 14-1/2")	—	—	SV4LA SV4LBA	—	—	4D12A or 4D12AB (3" to 10")	—	94610616 (4" to 16")	
	Galvanized or Black	46DVA-17TA 46DVA-17TAB (11" to 17")	—	—	TC-4DLT TC-4DLTB	SV4LA12 SV4LBA12	—	—	4D16A or 4D16AB (3" to 14")	—	—
					—	SV4LA24 SV4LBA24	—	—	4D26A or 4D26AB (3" to 24")	—	—
	Coaxial Flex	46DVA-48FF	—	—	—	—	—	—	—	—	
	DV 45° Elbows	Galvanized	46DVA-E45	—	TE-4DE45	—	—	—	4D45L	—	94620645
Black		46DVA-E45B	—	TE-4DE45B	SV4EBR45	—	—	4D45LB	—	94620645B	
Galvanized Swivel		—	4DT-EL45	—	SV4E45	—	—	—	—	—	
Black Swivel			4DT-EL45(B)	—	SV4EB45	—	—	—	—	—	
DV 90° Elbows	Galvanized	46DVA-E90	—	TE-4DE90	—	—	—	4D90L	—	—	
	Black	46DAV-E90B	—	TE-4DE90B	SV4EBR90	—	—	4D90LB	—	—	
	Galvanized Swivel	—	4DT-EL90	—	SV4E90	—	—	—	—	94620690	
	Black Swivel	—	4DT-EL90(B)	—	SV4EB90	—	—	—	—	94620690B	

Approved Venting Components

Venting Parts Description			Venting Parts Code / availability by Manufacturer							
			DURA-VENT	SELKIRK	ICC EXCEL DIRECT	SECURE VENT	RLH INDUSTRIES	AMERVENT	MILES INDUSTRIES	BDM
Pipes 4" x 6 5/8" (ID x OD)	6" long	Galvanized	46DVA-06	4DT-06	TC-4DL6	SV4L6	—	—	—	94610606
		Black	46DVA-06B	4DT-06(B)	TC-4DL6B	SV4LB6	—	—	—	90410606B
	7" long	Galvanized	—	—	—	—	—	4D7	—	—
		Black	—	—	—	—	—	4D7B	—	—
	9" long	Galvanized	46DVA-09	4DT-09	—	—	—	—	—	94610609
		Black	46DVA-09B	4DT-09(B)	—	—	—	—	—	94610609B
	12" long	Galvanized	46DVA-12	4DT-12	TC-4DL1	SV4L12	—	4D12	—	94610612
		Black	46DVA-12B	4DT-12(B)	TC-4DL1B	SV4LB12	—	4D12B	—	94610612B
	18" long	Galvanized	46DVA-18	4DT-18	—	—	—	—	—	94610618
		Black	46DVA-18B	4DT-18(B)	—	—	—	—	—	94610618B
	24" long	Galvanized	46DVA-24	4DT-24	TC-4DL2	SV4L24	—	4D2	—	94610624
		Black	46DVA-24B	4DT-24(B)	TC-4DL2B	SV4LB24	—	4D2B	—	94610624B
	36" long	Galvanized	46DVA-36	4DT-36	—	SV4L36	—	4D3	—	94610636
		Black	46DVA-36B	4DT-36(B)	—	SV4LB36	—	4D3B	—	94610636B
	48" long	Galvanized	46DVA-48	4DT-48	TC-4DL4	SV4L48	—	4D4	—	94610648
		Black	46DVA-48B	4DT-48(B)	TC-4DL4B	SV4LB48	—	4D4B	—	94610648B
Flashings	Roof Flashing 0/12-6/12	46DVA-F6	4DT-AF6	TF-4FA	SV4FA	—	4DF (0/12-5/12)	—	949606012	
	Roof Flashing 7/12-12/12	46DVA-F12	4DT-AF12	TF-4FB	SV4B	—	4DF12 (6/12-12/12)	—	949606712	
	Flat Roof Flashing	46DVA-FF	—	TF-4F	SV4F	—	—	559FSK	949606001	
	Masonry Flashing	—	—	TF-4MF	—	—	—	—	—	
	New Siding Flashing	—	—	—	—	—	—	658NSFK	—	
Various Venting System Parts	Wall Thimble	46DVA-WT	4DT-WT	TM-4WT	SV4RSM	—	4DWT	—	949064U	
	Storm Collar	46DVA-SC	4DT-SC	TM-SC	SV4AC	—	4DSC	—	94960608	
	Decorative Plate	46DVA-DC	4DT-CS	TM-4TR	SV4PF	—	4DFPB	—	94940612	
	Cathedral Ceiling Support	46DVA-CS	4DT-CCS	—	—	—	4DRSB	—	949506KT	
	Ceiling Firestop / Floor Support	46DVA-FS	4DT-FS	TM-CS	SV4BF	—	4DFSP	—	94980612	
					SV4SD					
	Attic Radiation Shield / Firestop	—	—	TM-4AS	—	—	4DAIS12 (12")	—	94930620A	
							4DAIS36 (36")			
	Wall Strap	46DVA-WS	4DTWS	TM-WS	—	—	4DWS	—	949164	
	Vinyl Siding Standoff	46DVA-VSS	4DT-VS	TM-VSS	SV4VS	—	4DHVS	—	94800615S	
Elbow Strap / Offset Support	46DVA-ES	4DT-OS	TM-OS	—	—	—	—	949264		
Terminal Guard	46DVA-WG	—	—	—	—	—	845TG	940164SHRD		
							658TG			

- Notes:**
- Follow instructions supplied with each manufacturer's components.
 - Unless otherwise specified, all the parts and assemblies from the above table are to be used with 4" x 6-5/8" pipes.
 - Do not mix components from different vent manufacturers.**
 - Termination caps manufactured by RLH Industries or American Metal Products are from Homestyle Chimney Collection and can be ordered in one of the following finishes: a) aluminium; b) black powder coated; c) solid copper.
 - Miles Industries Valor Co-linear adapter 1156CLA cannot be used with models 1600. Use only with models 1100, 1150, 1400, 1500 and 1700.
 - Only Miles Industries Valor Co-linear adapter 1156CLA can be used with models 1700.

THIS WARRANTY DOES NOT APPLY TO OUTDOOR INSTALLATIONS—SEE WARRANTY SUPPLIED WITH GV60CKO OUTDOOR KIT.

If you have a problem with this unit, please contact your dealer or supplier immediately. Under no circumstances should you attempt to service the unit in any way by yourself. The warranties in paragraphs 1 and 2 are provided only to the initial owner of this unit, are not transferable and are subject to the conditions and limitations in paragraphs 3, 4 and 5. Please review the conditions and limitations carefully and strictly follow their requirements.



1. Extended Warranty Coverage

For a period of up to ten (10) years, Miles Industries Ltd., (the “Company”) or its appointed distributor will at its option pay the initial owner for the repair of, or will exchange the following parts or components which are found to be defective in material or workmanship under normal conditions of use and service:

Part or Component	Defect Covered	Maximum Warranty Period
Exterior steel casing	Corrosion	10 years
Glass	Loss of structural integrity	10 years
Cast iron parts	Corrosion	10 years
Firebox and heat exchanger	Corrosion (but not discoloration) causing loss of structural integrity	10 years

2. Two-Year Parts Warranty

In addition, for two (2) years from the date of purchase, the Company, at its option, can repair or exchange all parts and components not listed above but that are found to have a *bona fide* defect in material or workmanship under normal conditions of use.

3. Conditions and Limitations

- a) The warranty registration card must be completed by the initial owner and returned to the Company within 90 days of purchase. Alternatively, the warranty registration form may be filled out online at www.valorfireplaces.com.
- b) Installation and maintenance must be performed by an authorized and trained dealer in accordance with the Company’s installation instructions.
- c) This warranty is void where installation of the unit does not conform to all applicable codes including national and local gas appliance installation codes and building and fire codes.
- d) The owner must comply with all operating instructions.
- e) The Company is not responsible for the labor costs to remove defective parts or re-install repaired or replacement parts.
- f) The initial owner of the unit will be responsible for any shipping charges for replacement parts as well as travel time incurred by the dealer to perform the warranty work.
- g) This warranty applies to non-commercial use and service and is void if it is apparent that there is abuse, misuse, alteration, improper installation, accident or lack of maintenance to the unit.
- h) This warranty does not cover damage to the unit due to:
 - i) Improper installation, operational or environmental conditions.
 - ii) Inadequate ventilation in the area or competition for air from other household equipment or appliances.
 - iii) Chemicals, dampness, condensation, or sulphur in the fuel supply lines which exceeds industry standards.
- i) This warranty does not cover glass, log breakage or damage to the unit while in transit.
- j) The Company does not allow anyone to extend, alter or modify this warranty and assumes no responsibility for direct, indirect or consequential damages caused by the unit. State or provincial laws where the first purchaser or user resides may provide specific rights to extend this warranty and, if so, the Company’s sole obligation under this warranty is to provide labor and/or materials in accordance with those laws.

4. Discharge of Liability

After two (2) years from the date of purchase, the Company may, at its option, fully discharge all obligations under this warranty by paying to the first owner the wholesale price of any defective parts.

5. No Other Warranty

All obligations to repair this unit are defined in this warranty. Some states or provinces may specifically mandate additional warranties on the part of manufacturers, but in the absence of such specific legislation, there is no other warranty or obligation expressed or implied.

Spare Parts

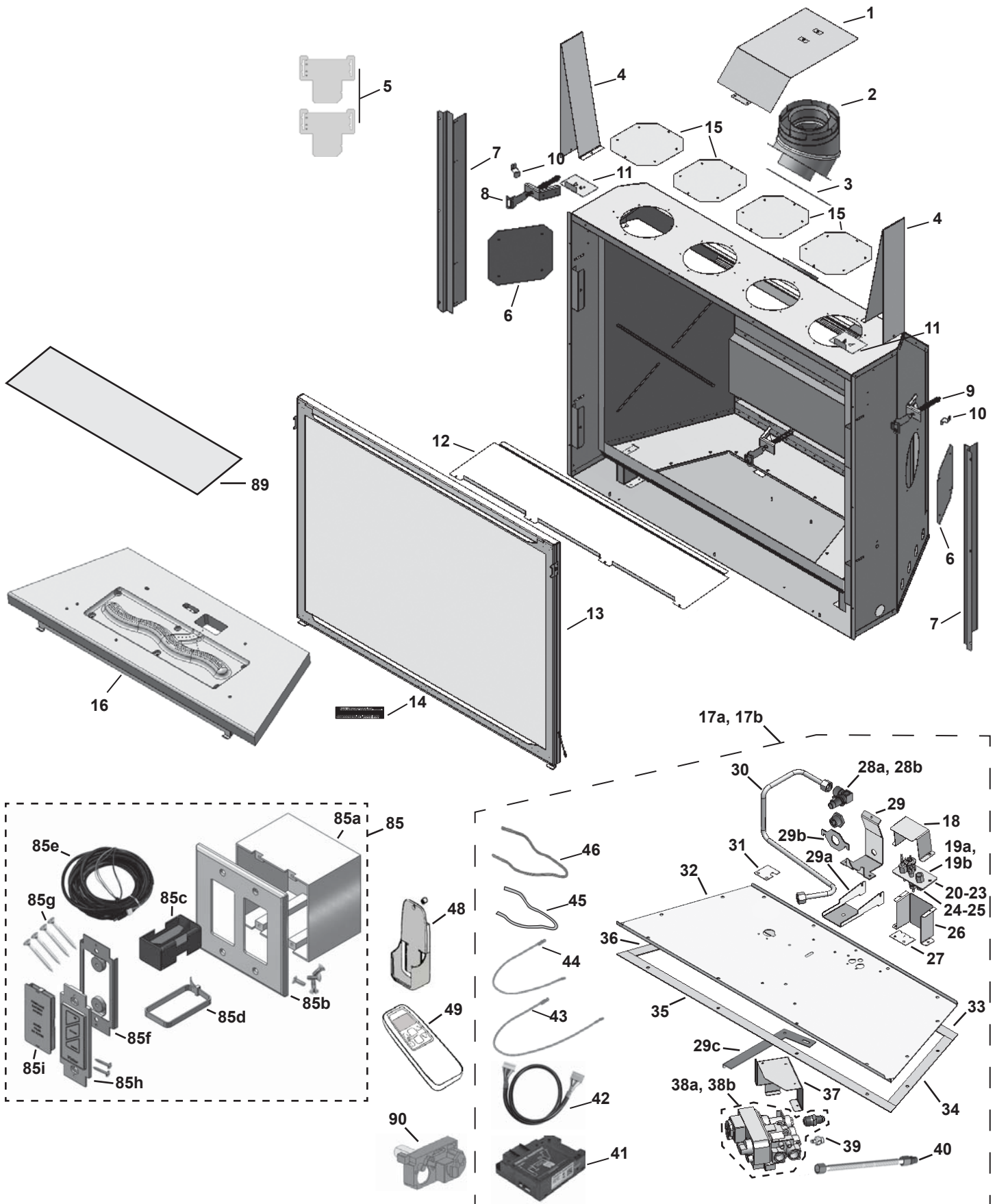
	Description	Part Number		Description	Part Number
1	Heat shield	4004512	35	Gasket module plate, front	4003924
2	45 degrees flanged elbow	0945JM	36	Gaskets module plate, LH	4003927
3	Elbow gasket	4002999	37	Valve mount	4003956
4	Top stand-offs (2)	4005219	38a	GV60 valve assy (natural gas)	4005315S
5	Restrictor plate	4001222	38b	GV60 valve assy (propane gas)	4006036S
6	Take-off cover (2)	4003046	39	Thermocurrent interrupter	4001037
7	Frame fixing brackets (2)	4005226	40	Pipe s/s flex	4000345
8	LH Window latch assembly	4003681	41	Receiver MAX	4002422
9	RH Window latch assembly	4003680	42	Wire harness GV60	4001187
10	Liner panel anchors (2)	4001283	43	Yellow cable to interruptor	4002096
11	Engine positioning brackets (2)	4005225	44	Red cable to interruptor	4001035
12	Removable convection baffle	4005680	45	Ignition cable sleeve 530 mm	4002244
13	Window assembly	4003673X	46	Ignition cable 500 mm	4001039
14	Hot glass warning plate	4003093	47	Handset wall holder	9000008
15	Cover plates (4)	4005409	48	Handset MAX	4002251
16	Burner contemporary assy	4005804	49	Traditional Log Set Kit	1400LSK
17a	Module assembly (natural gas)	4006035		Traditional logs	4006393
17b	Module assembly (propane gas)	4006009	50	Left rear log	4006394
18	Pilot shield 1400	4004559AH	51	Left top log	4006397
19a	Pilot assembly (natural gas)	4001690	52	Left front log	4006396
19b	Pilot assembly (propane gas)	4001691	53	Right top log	4006395
20	Thermocouple	4000061	54	Right front log	4006398
21a	Pilot injector #51 (natural gas)	4000735	55	Right rear log	4006399
21b	Pilot injector #30 (propane gas)	4000736	56	Lower rear log	4006400
22	Pilot hood 2-flame (in-line)	4001756	57	Loose coal pieces - bagged (3)	4001843
24	Electrode, short	4001856	58	Grate assembly	4005026
25	Nut for short electrode	4001855	58a	Cast grates (2)	4001403
26	Pilot mount	4004452	58b	RH Grate mounting bracket	4005025AH
27	Pilot sealing plate	4002910	58c	LH Grate mounting bracket	4005289AH
28a	Injector elbow 82-1000 (natural gas)	4003985	59	Driftwood Kit	1400DWK
28b	Injector elbow DMS#49 (propane gas)	4006085	60	H6 - Driftwood, full set	4005283
29	Injector elbow support	4005807	61	Rear log	4005284
29a	Air shutter slider	4005808	62	Left log	4005285
29b	Air shutter NG only	4005809	63	Right log	4005286
29c	Aeration lever	4005810	64	Left cross log	4005287
not shown	Wing nut for aeration lever		65	Right cross log	4005288
30	Valve to injector pipe assembly	4004065	66	Brown beach pebble (2)	4003082
31	Single pipe sealing plate	4003236	67	White beach pebble	4003084
32	Burner tray	4006010	68	Black beach pebble	4003085
33	Gasket module plate, rear	4003925	69	Small grey beach pebble (2)	4003086
34	Gaskets module plate, RH	4003926	70	Beige beach pebble	4003087
			71	1-1/2 lb 3/4" grey/black shale	4004503

Spare Parts

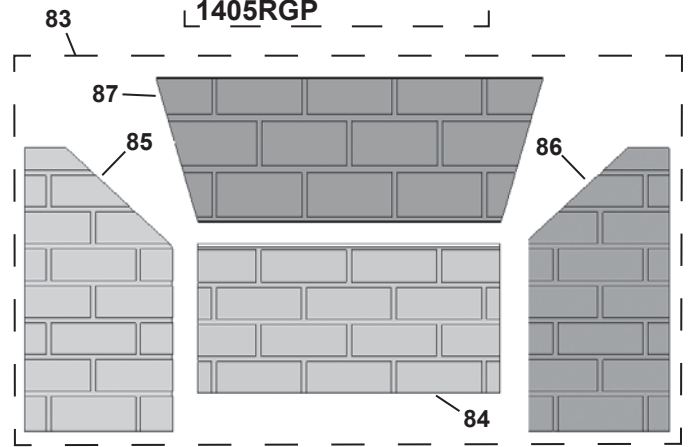
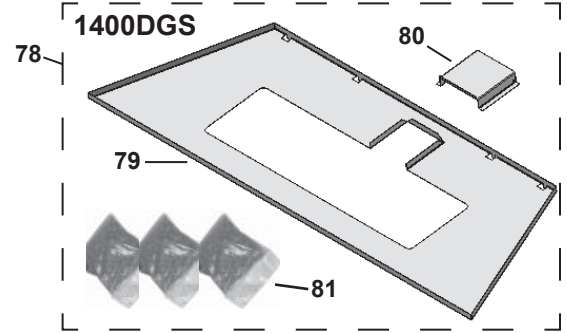
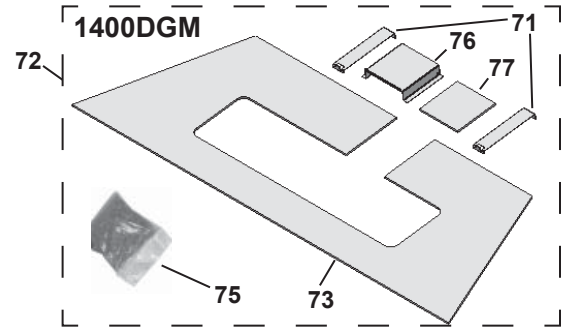
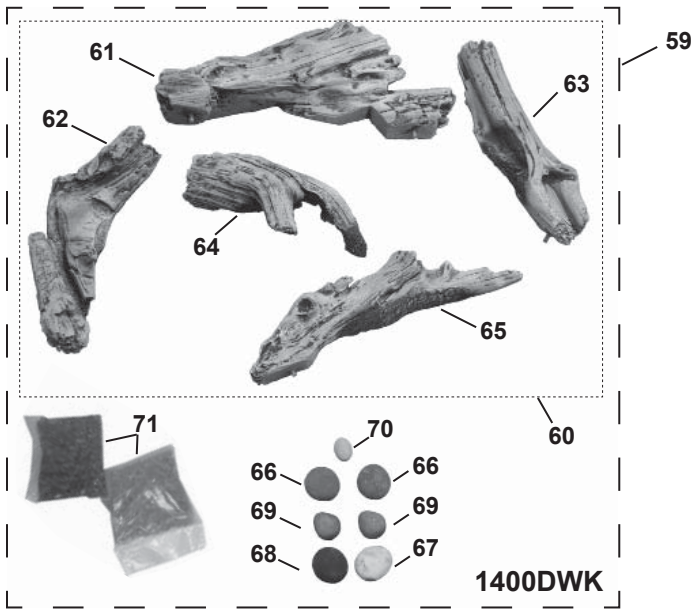
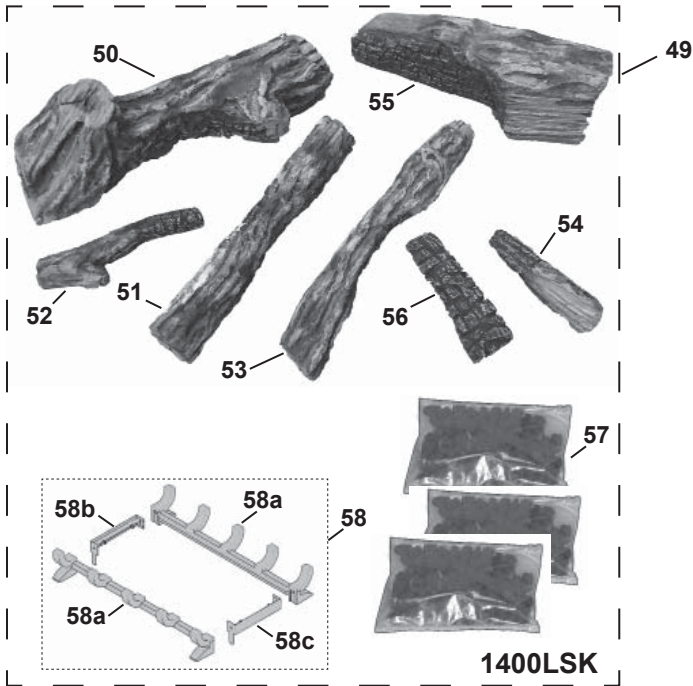
	Description	Part Number
72	Decorative Glass Murano	1400DGM
73	Glass platform	4005012
74	Platform retainers (2)	4005044AH
75	1/2" clear fireglass (1 bag)	4004521
76	Pilot shield cover	4004699AH
77	Pilot glass pad	4004798
78	Decorative Glass Set	1400DGS
79	Tray for fireglass	4005045AH
80	Pilot shield cover	4004699AH
81	1/2" clear fireglass (3 bags)	4004521
82	Reflective Glass Panel	1405RGP
83	Liner panels - complete sets	
	Valor Red Brick Liners	1410VRL
	Ledgestone Liner Set	1415LSL
	Fluted Black Liner Set	1425FBL
	Plain Black Liner Set	1460PBL
	Reflective Glass Liners	1470RGL
	Side Spacers (10)	4004711AH
	Rear Spacers (2)	4004712AH
	Herringbone Liners	1475HBL
84	Rear panel	
	Valor Red Brick	4004816
	Ledgestone	4004823
	Fluted Black	4004828
	Plain Black	4004827
	Glass	4004982
	Herringbone	4006182
85	LH side panel	
	Valor Red Brick	4004814
	Ledgestone	4004821
	Fluted Black	4004829
	Plain Black	4004825
	Glass	4005376
	Herringbone	4006181
86	RH side panel	
	Valor Red Brick	4004815
	Ledgestone	4004822
	Fluted Black	4004830
	Plain Black	4004826
	Glass	4005375

	Description	Part Number
	Herringbone	4006180
87	Top panel	
	Valor Red Brick	4004813
	Ledgestone	4004820
	Plain Black	4004824
	Plain Black	4004824
	Plain Black	4004824
	Herringbone	4006183
88	Remote battery & Wall switch kit	RBWSK
88a	Junction box	4005527
88b	Cover plate & 4 screws	4005526
88c	Battery holder	4005525
88d	Cable tie	4005524
88e	Harness assembly	4005523
88f	Plate with magnets	4005391
88g	Long screws (4)	4001444
88h	Wall switch with 2 screws	4005522
88i	Battery cover assembly	4005390
89	1/2" Micore 300 insulation board	4001489
90	GV60 Valve Repair Kit	4004544

Spare Parts



Spare Parts



Automatic shut off. *See Remote control*

Automatic turn down. *See Remote control*

Barrier screen. *See also Safety*

- installation 8, 69
- replacement 3, 7, 18

Batteries. *See Remote control: batteries*

Burner aeration 68

Cement board 23, 25, 30–32, 42–43

Cleaning 7. *See also Maintenance*

Clearances

- corner 24
- hearth 23, 25
- mantel 25
- wall 26

Control devices 10

Crushed glass. *See Fuel beds*

Electrical wiring 22, 53

Fan (blower) Kit 1195CFK 18, 22, 53

Fire

- appearance 9
- ON, OFF 17. *See also Remote control; Wall switch*
- pilot flame check 9

Fire glass. *See Fuel beds*

Fireplace. *See also Cleaning; Maintenance*

- dimensions 24
- fire ON, OFF. *See also Remote control; Wall switch*
- first-time operation 7
- location 24
- pilot ON, OFF 10, 17
- shut-off
 - automatic 11, 19
 - emergency 11, 19

Fixed Framing Kit 1430FFK 23, 41, 42, 46–49

Framing 30–33. *See also Installation; Wall finishing*

- cavity 30
- cement board 31
- dimensions 30

Fuel beds 18

- flame appearance 9
- installation
 - Decorative Glass 1400DGS 59
 - Decorative Glass Murano 1400DGM 58
 - Driftwood 1400DWK 56–57
 - Traditional Logs 1400LSK 60–63

Gas

- conversion 18, 22
- pressure test 54
- smell 19
- specifications 22
- supply 7, 11, 19, 22, 54
- type 7, 22

Hearth 27–29, 41. *See Clearances: hearth*

- insulation board Micore 23, 27–30, 41
- with 1430 framing kit 47
- with 1435 & 1440 surrounds 51

HeatShift Duct Kit LDK 5, 18, 22, 23, 24, 25, 30, 43, 45, 49, 52

Hot surfaces. *See Safety*

Information card location 10

Installation

- overview 23
- planning 41–43
- preparation 44
- stand-offs 44, 48
- with 1430 framing kit
 - appliance position 46–47
 - engine positioning brackets 46, 48
 - frame fixing brackets 46
 - wall finish 46
- with 1435 & 1440 surrounds
 - appliance position 50
 - engine positioning brackets 52
 - frame fixing brackets 50–52
 - wall finish thickness 50, 52

LDK HeatShift. *See HeatShift Duct Kit LDK*

Lighting instructions

- information card. *See Information card location*
- using manual ignition 19
- using remote control 19
- using wall switch 17

Liners 18

- installation 55

Logs. *See Fuel beds*

Maintenance. *See also Cleaning*

- annual inspection 3, 6, 9
- replacing batteries 4, 9–10
- vent 3, 9

Pilot ON, OFF. *See Remote control*

Protection. *See Safety*

Index

Remote Battery and Wall Switch Kit RBWSK

installation 65–66
operation (ON, OFF, flame height) 17

Remote Blower Kit 1270RBK 18, 22**Remote control** 12–16

automatic shut-off 11
batteries
 replacement 4, 9–10
 types 9, 67
handset
 location 69
 overview 12
 wall holder 10, 69

Rocks & Shale. *See Fuel beds***Safety**

barrier screen 3, 4, 5, 8
batteries, removing 4, 9, 11
burns, risks of 3, 4, 5
children's protection 3, 4, 5
gate 3, 4, 5, 18
handset wall holder 4, 10, 69
hot glass and surfaces 4, 7
hot glass warning plate 8, 64
hot hearth/floor/wall 5, 23, 27
pilot, fire OFF 4, 10
precautions 4

Service

repair 5, 10
serial, model numbers 10. *See also Information card location*
spare parts 10, 74–77

Specifications 22. *See also Information card location***Surrounds** 18. *See also Installation; Wall finishing***Trims.** *See Surrounds***Vapors** 7. *See also Smell***Venting**

co-axial 35–39
co-linear 39–40
components 34, 71–72
framing vent pipe 34
horizontal pipe 34
maintenance 9
outlet
 conversion 44
 heat shield 44
 position, top or rear 33, 34, 35
restrictor position 36–37, 39

sealing joints 34
vapor barriers 34
venting chart 36
wall thickness 34

Wall finishing

cracking 43
finishing around trims 42
non-combustible cement board
 minimum dimensions 31, 42
 thickness 41, 50, 52

Wall Switch. *See Remote Battery and Wall Switch Kit RBWSK***Warranty** 73**Warranty card** 81–82**Window**

refitting 8, 64
removal 7, 45

Wiring diagram 70

Thank You ...

For purchasing a Valor by Miles Industries. Your new radiant gas heater is a technical appliance that must be installed by a qualified installer.

Please fill in the information below. The information provided will be used for customer records only.



Fireplace Information

Model Number: 1400 JN or JP / INSTALLED OUTDOOR

Serial Number:

Date Purchase (yyyy-mm-dd):

Dealer:

Customer Information

First Name:

Last Name:

Contact Information

Email:

Mailing Address

Address:

City:

Province/State:

Postal/Zip Code:

Country:

Cut out page, fill information, and mail to Miles Industries Ltd.

Online Warranty registration at www.valorfireplaces.com



Tape Shut



Fold here



Postage
needed

Miles Industries Ltd.
190 - 2255 Dollarton Highway
North Vancouver, BC V7H 3B1
Canada

Online Warranty registration at www.valorfireplaces.com



Thank you for choosing a Valor Product