



H6 SERIES



DV ZC Gas Fireplaces 1400IN (NG) & 1400IP (LPG)

Installation & Owner's Manual

DANGER



HOT GLASS WILL CAUSE BURNS.

DO NOT TOUCH GLASS UNTIL COOLED.

NEVER ALLOW CHILDREN TO TOUCH GLASS.

A barrier designed to reduce the risk of burns from the hot viewing glass is provided with this appliance and shall be installed for the protection of children and other at-risk individuals.

INSTALLER
Leave this manual with the appliance.

CONSUMER
Retain this manual for future reference.

Please read this manual BEFORE installing and operating this appliance.

WARNING

FIRE OR EXPLOSION HAZARD

Failure to follow safety warnings exactly could result in serious injury, death, or property damage.

- Do not store or use gasoline or other flammable vapors and liquids in the vicinity of this or any other appliance.
- **WHAT TO DO IF YOU SMELL GAS**
 - Do not try to light any appliance.
 - Do not touch any electrical switch; do not use any phone in your building.
 - Leave the building immediately.
 - Immediately call your gas supplier from a neighbor's phone. Follow the gas supplier's instructions.
 - If you cannot reach your gas supplier, call the fire department.
- Installation and service must be performed by a qualified installer, service agency or the gas supplier.

This manual contains instructions to install the **ENGINE ONLY**. A trim kit is **REQUIRED** to complete the installation. A barrier screen is provided with the trim kit. **Refer to the manual supplied with the trim for installation.**

This appliance may be installed in an after-market permanently located, manufactured (mobile) home where not prohibited by local codes.

This appliance is only for use with the type of gas indicated on the rating plate. This appliance is not convertible for use with other gases, unless a certified kit is used.

This appliance is a domestic room-heating appliance. It must not be used for any other purposes such as drying clothes, etc.

This appliance is suitable for installation in a bedroom or bed sitting room.

Ce guide est disponible en français sur demande.

Table of Contents

FOR THE OWNER

Safety Precautions	3
Safety and Your Fireplace.....	4
Owner's Information.....	5
Operating Your Fireplace for the First Time.....	5
Cleaning Your Fireplace	6
Checking Pilot and Burner Flames	8
Replacing Batteries	8
Using Handset Wall Holder.....	9
Locating Lighting, Operation and Rating Information Card.....	9
Servicing Your Fireplace.....	9
Operating Your Fireplace.....	9
How to Turn Your Fireplace OFF (including pilot)	10
How to Ensure Your Fireplace Cannot Be Turned ON Inadvertently	10
Remote Control Operation.....	11
Options.....	16
Lighting Instructions.....	17
Warranty	68

FOR THE QUALIFIED INSTALLER

Commonwealth of Massachusetts.....	18
Specifications	20
Overview.....	21
Dimensions & Location.....	22
Mantel & Hearth Clearances	23
Hearth Requirements	25
Framing Requirements	28
Venting.....	32
Co-axial Venting.....	33
Co-linear Venting	37
Installation Planning	39
Appliance Height in Framing	39
Appliance Depth in Framing	39
Plan Wall Finish	40
Installation.....	42
Unpack Appliance.....	42
Fit Standoffs	42
Remove Heat Shield.....	42
Convert from Top to Rear Outlet (if required)	42
Remove Window	43
Install Appliance for 1430 Fixed Framing Kit	44
Install Appliance for 3 and 4-Sided Surrounds	48
Install Electrical Wiring (if necessary)	51
Connect Gas Supply.....	52
Install Liners	53
Install Driftwood Kit 1400DWK	54
Install Decorative Glass Murano 1400DGM	56
Install Decorative Glass Set 1400DGS.....	57
Install Traditional Log Kit 1400LSK.....	58
Refit Window	61
Remote Control Initial Pairing.....	62
Check Operation.....	63
Adjust Aeration if needed.....	63
Install Surround and Barrier Screen	64
Install Remote Control Handset Wall Holder	64
Wiring Diagram	65
Approved Venting Components.....	66
Warranty	68
Spare Parts.....	69
Index	72

Warranty Card at the back of this manual.



Massachusetts: The piping and final gas connection must be performed by a licensed plumber or gas fitter in the State of Massachusetts. Also, see Carbon Monoxide Detector requirements on page 18.



We recommend that our gas hearth products be installed and serviced by professionals who are certified in the U.S. by the National Fireplace Institute® (NFI) as NFI Gas Specialists.

The information contained in this installation manual is believed to be correct at the time of printing. Miles Industries Ltd. reserves the right to change or modify any information or specifications without notice. Miles Industries Ltd. grants no warranty, implied or stated, for the installation or maintenance of your heater, and assumes no responsibility for any consequential damage(s).

Designed and Manufactured by / for
Miles Industries Ltd.

190-2255 Dollarton Highway, North Vancouver, BC, CANADA V7H 3B1

Tel. 604-984-3496 Fax 604-984-0246

www.valorfireplaces.com



Safety Precautions

READ and **UNDERSTAND** all instructions carefully before starting the installation. **FAILURE TO FOLLOW** these installation instructions may result in possible fire hazard and will void the warranty.

Prior to the first firing of the fireplace, **READ** the Owner's Information section of this manual.

DO NOT USE this appliance if any part has been under water. Immediately, **CALL** a qualified service technician to inspect the unit and to replace any part of the control system and any gas control that has been under water.

THIS UNIT IS NOT FOR USE WITH SOLID FUEL.

Installation and repair should be **PERFORMED** by a qualified service person. The appliance and venting system should be **INSPECTED** before initial use and at least annually by a professional service person. More frequent cleaning may be required due to excessive lint from carpeting, bedding, etc. It is **IMPERATIVE** that the unit's control compartment, burner, and circulating air passageways **BE KEPT CLEAN** to provide for adequate combustion and ventilation air.

Always **KEEP** the appliance clear and free from combustible materials, gasoline, and other flammable vapors and liquids.

NEVER OBSTRUCT the flow of combustion and ventilation air. Keep the front of the appliance **CLEAR** of all obstacles and materials for servicing and proper operation.

This unit **MUST** be used with a vent system as described in this installation manual. **NO OTHER** vent system or components **MAY BE USED**.

This gas fireplace and vent assembly **MUST** be vented directly to the outside and **MUST NEVER** be attached to a chimney serving a separate solid fuel burning appliance. Each gas appliance **MUST USE** a separate vent system. Common vent systems are **PROHIBITED**.

INSPECT the external vent cap on a regular basis to make sure that no debris, plants, trees, shrubs are interfering with the air flow.

TURN OFF the gas before servicing this appliance. It is recommended that a qualified service technician perform an appliance check-up at the beginning of each heating season.

DO NOT use this heater as a temporary source of heat during construction.

State of California. Proposition 65 Warning. Fuels used in gas, wood-burning or oil fired appliances, and the products of combustion of such fuels, contain chemicals known to the State of California to cause cancer, birth defects and other reproductive harm. California Health & Safety Code Sec. 25249.6.

Due to the high temperature, the appliance should be **LOCATED** out of traffic areas and away from furniture and draperies.

Clothing or flammable material **SHOULD NOT BE PLACED** on or near the appliance.

This appliance is a **DOMESTIC ROOM-HEATING APPLIANCE**. It must not be used for any other purposes such as drying clothes, etc.

DO NOT place furniture or any other combustible household objects within 36" of the fireplace front.

BE CAREFUL not to put any decorating objects sensitive to heat to close above or around the fireplace as it gets very hot when operating.

The glass door assembly **MUST** be in place and sealed before the unit can be placed into safe operation.

DO NOT OPERATE this appliance with the glass door removed, cracked, or broken. Replacement of the glass door should be performed by a licensed or qualified service person. **DO NOT** strike or slam the glass door.

The glass door assembly **SHALL ONLY** be replaced as a complete unit, as supplied by the fireplace manufacturer. **NO SUBSTITUTE** material may be used.

DO NOT USE abrasive cleaners on the glass door assembly. **DO NOT ATTEMPT** to clean the glass door when it is hot.

A BARRIER DESIGNED TO REDUCE THE RISK OF BURNS from the hot viewing glass is provided with this appliance and **SHALL BE INSTALLED** for the **PROTECTION OF CHILDREN** and other **AT-RISK INDIVIDUALS**.

If the barrier becomes damaged, the barrier **SHALL BE REPLACED** with the **MANUFACTURER'S BARRIER** for this appliance.

Any safety screen, guard or barrier removed for servicing the appliance, **MUST BE REPLACED** prior to operating the appliance.

Children and adults should be **ALERTED** to the hazards of high surface temperature and should **STAY AWAY** to avoid burns or clothing ignition.

YOUNG CHILDREN should be **CAREFULLY SUPERVISED** when they are in the same room as the appliance. Toddlers, young children and others may be susceptible to **ACCIDENTAL CONTACT BURNS**. A physical barrier is recommended if there are at-risk individuals in the house. To restrict access to a fireplace or stove, **INSTALL AN ADJUSTABLE SAFETY GATE** to keep toddlers, young children and other at-risk individuals out of the room and away from hot surfaces.

⚠ Safety and Your Fireplace

Please Read and Carefully Follow all Safety Warnings and Operating Instructions Contained in Your Owner's Manual

(Replacement Manuals are available by contacting our service department at 1-800-468-2567 or visit www.valorfireplaces.com).

Please Follow These Important Child Safety Precautions and Recommendations,

- Parts of your Valor Fireplace become **extremely hot** while in operation.
- The glass viewing **window temperature can exceed 500 F** at full capacity. Momentary contact with a hot glass surface can **cause a severe burn**, even if the fireplace is operating at reduced heating capacity.
- **The glass window will remain hot** for an extended period of time after the fireplace has been turned off. Ensure that children are prevented from touching the fireplace during the cool down period.
- **Toddlers and Young Children must be closely supervised at all times** when they are in the same room as the operating fireplace. They lack full awareness of danger and rely on your protection. Toddlers, in particular, do not have the motor



skills and response reflexes to withdraw in the event of accidental contact with a hot surface.

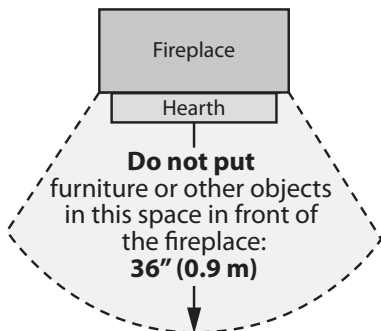
- **A physical barrier is strongly recommended** if there are young children, or at-risk individuals in the house. Install an approved after-market safety gate to keep toddlers, young children and other at-risk individuals a safe distance from the fireplace.
- **Keep the remote control handset out of reach of children at all times.** A wall mount storage holster is provided with your remote control handset.
- **Ensure that the fireplace, including the pilot light, is completely turned off** when children are present and close supervision and safety barriers are not available—see pages 9–10 of *Owner's Information* section.
- If the fireplace is not going to be used for the summer or any extended period of time, **remove the batteries from the remote control handset and receiver.** It is recommended that batteries are replaced annually in any event—see page 8.

⚠ WARNING

EXTREMELY HOT!!!

- **READ the SAFETY information on pages 3 and 4 of this manual BEFORE operating your gas heater.**
- Some parts of your fireplace are **EXTREMELY HOT**, particularly the **GLASS** window.
- **DO NOT LET CHILDREN** touch the glass or any parts of your fireplace **even after it is turned off** as it is still hot.
- **USE THE BARRIER SCREEN** provided with the trim or a **GATE** to reduce the risk of severe burns.
- Keep the remote control handset **OUT OF REACH** of children.
- **HOT WALL SURFACES!** The wall directly above the fireplace is **VERY HOT** when the fireplace heats. It is constructed of non-combustible materials and although safe, it may reach temperatures **in excess of 200° F** depending on choice of trims. **DO NOT TOUCH IT!**
- **HOT HEARTH/FLOOR SURFACE!** The hearth or floor directly in front of the fireplace is **VERY HOT** when the fireplace heats. Even if constructed of non-combustible materials, and although safe, it may reach temperatures **in excess of 200° F** depending on choice of materials. **DO NOT STEP ON IT!**
- Some materials or items, although safe, may discolor, shrink, warp, crack, peel, and so on because of the heat produced by the fireplace. **AVOID PLACING** candles, paintings, photos, and other items **SENSITIVE TO HEAT** within 36 inches (0.9 m) around the fireplace.
- Solid wood flooring in front of the fireplace (if allowed) may shrink during the heating season due to heat.

Performance of LPG appliances may be affected by the quality of commercial gas supplied in your area.



Thank You ...

For purchasing a Valor by Miles Industries. Your new radiant gas heater is a technical appliance that must be installed by a qualified dealer. Each Valor fireplace is fully tested during the production process for your safety and comfort.

Your unit has been professionally installed by:

Dealer Name: _____

Phone Number : _____

Should you encounter an operational problem, call your dealer immediately.

Do not try to repair the unit as you may cause an injury or damage the fireplace.

This manual and particularly the preceding and following pages contain very important information regarding the safe operation of your fireplace as well as maintenance instructions. Read carefully BEFORE operating your fireplace and pay special attention to the SAFETY WARNINGS.

A heating gas appliance does require safe handling and for this reason, we very strongly recommend that no children be allowed to touch the fireplace and its controls at all times. **Do install a screen or barrier in front of the fireplace to protect your children against severe burns.**

Operating Your Fireplace for the First Time

When operating your new fireplace for the first time, some vapors may be released due to the burning of curing compounds used in the manufacture of the appliance. They may cause a slight odor and could cause the flames to be the full height of the firebox, or even slightly higher, for the first few hours of operation. It is also possible that these vapors could set off any smoke detection alarms in the immediate vicinity. These vapors are quite normal on new appliances. We recommend opening a window to vent the room. After a few hours use, the vapors will have disappeared and the flames will be at their normal height.

Flame Supervision Device

For your safety, this appliance is fitted with a flame supervision device which will shut-off the gas supply if, for any reason, the pilot flame goes out. This device incorporates a fixed probe, which senses the heat from the pilot flame. If the probe is cool, the device will prevent any gas flow unless manually lighting the pilot. See full lighting instructions on page 17 of this manual.

Cleaning Your Fireplace

⚠ WARNING

DO NOT TOUCH THE GLASS WHILE IT IS HOT!
Let the fireplace cool first before cleaning it.

Important - Glass cleaning - Mineral deposits

One of the by-products of the combustion process in a gas appliance is a mineral which can show up as a white film on the ceramic glass of the viewing door.

The composition of the deposit varies with location and time. It is believed to be associated with the varying sulfur content of the gas. You may have the problem intermittently.

We have consulted with ceramic glass manufacturers and they cannot offer a definitive solution to this problem. Dealers have tried various cleaning products with varying results. The following are recommendations only and are not meant to guarantee results.

NOTE: This is a problem beyond Miles Industries' control and is not covered under warranty.

- Clean the glass regularly as soon as you notice the buildup (white film). If the film is left for a longer period of time, it will etch into the glass. It is then much harder, if not impossible, to remove.
- **NEVER use an abrasive cleaner or an ammonia-based cleaner on the ceramic glass.** Any abrasion of the surface has the immediate effect of compromising the strength of the glass. An emulsion type cleaner is recommended.
- Use a soft damp cloth to apply the cleaner. Dry the glass with a soft, dry, preferably cotton cloth. Most paper towels and synthetic materials are abrasive to ceramic glass and should be avoided.
- Our dealers have had good results from the products listed below. We cannot, however, guarantee the results of these products.
 - Brasso, Polish Plus by Kelkem, Cook Top Clean Creme by Elco, White Off by Rutland, Turtle Wax

Do not clean the glass while it is hot!

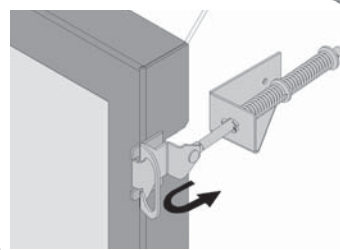
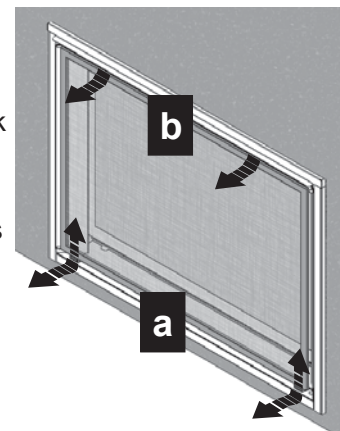
Always securely replace the window and the barrier screen before lighting.

If broken, the glass pane may only be replaced as a complete window unit as supplied by the manufacturer.

If the barrier becomes damaged, the barrier shall be replaced with the manufacturer's barrier for this appliance.

To remove the window for cleaning:

1. Remove the barrier screen. Slide the screen up to disengage the bottom tabs then unhook the top tabs.
2. Remove the side panels by pulling them sideways towards the center, sliding them out of their slots behind the trim face.
3. Find the levers on each side of the window towards the top. Using your finger, pull the levers towards you and unhook them from the window frame brackets.
4. Gently pull the top of the window outward.
5. Lift the window out of its bottom railing and set it aside in a safe place to avoid damage.



Spring Loaded Window Levers

Clean the window following the guidelines in this section.

Clean the steel trims with mild soap and warm water. *Any alcohol/solvent base cleaner will weaken the coating and damage it.*

Clean the barrier screens dusting with a soft brush.

Clean the firebox ceramic logs/rocks and walls dusting them with a soft brush. Dust can also be removed from the burner using a soft brush after removing the ceramic logs. **When cleaning, make sure that no particles are brushed into the slots of the burner.**

⚠ WARNING

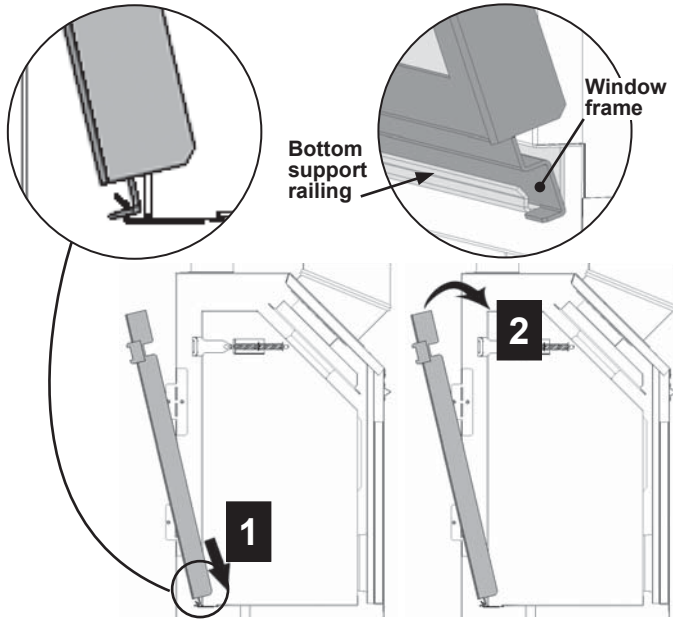
CHOKING HAZARD! Ensure that the fireplace area is clear of fireglass or shale particles as these could be ingested by small children. Vacuum thoroughly around the fireplace area after cleaning.

To refit the window:

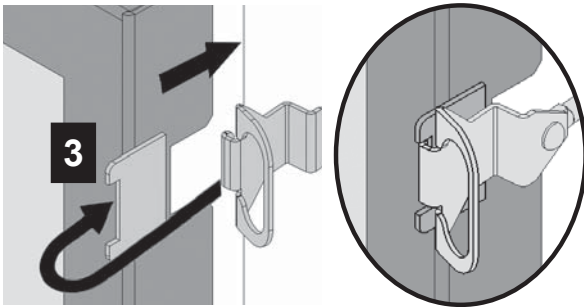
1. Place the window in its bottom support railing. **Ensure to remove any shale or glass particles in the railing before installing the window.**

Owner's Information

2. Push the top of the window frame against the firebox.



3. While you hold it, pull the side levers back into the window brackets on each side.



4. Apply firm hand pressure around the window frame to ensure the window is sealed tight against the firebox.

⚠ DANGER

The window unit must be correctly installed, fastened and sealed after servicing or serious bodily injury and/or damage to the appliance may result.

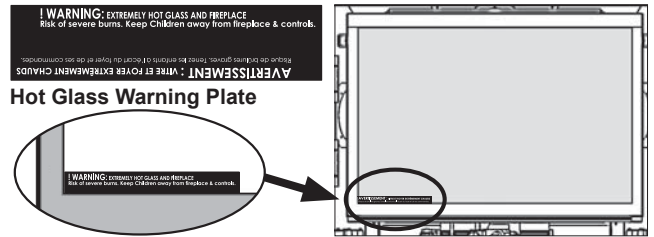
To ensure a safe operation:

- Double-check that the bottom of the window frame is correctly installed in the bottom support railing;
- Verify that the levers are hooked properly to the window tabs then;
- Pull out the top of the window and release it to insure the springs return it;
- Ensure the window is sealed before operation.

⚠ WARNING

Failure to install the window correctly can leak carbon monoxide, affect the performance of the fireplace, damage components, cause overheating resulting in dangerous conditions. Damage caused by incorrect window installation is not covered by the Valor warranty.

5. If the Hot Glass Warning plate has been removed from the front lower corner of the window, reinstall it by sliding it between the glass and the frame as indicated.

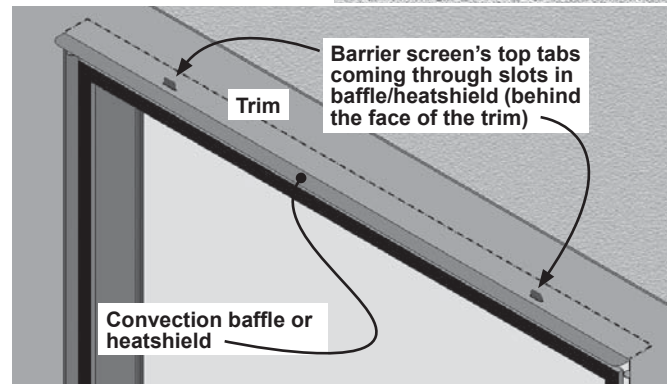
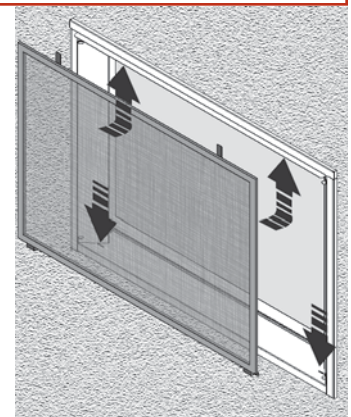


6. Reinstall the side doors sliding them sideways to insert their tabs behind the front face of the trim.
7. Reinstall the barrier screen on the trim.

⚠ WARNING

FOR SAFETY PURPOSE, ensure the barrier screen is re-installed on the fireplace front after maintenance.

Insert the screen's top tabs in the slots on the underside of the convection baffle or heatshield, then insert the screen's bottom tabs in the slots of the removable panel at the bottom to lock it in position.



Ensure the screen is secure and seated all the way down into the bottom slots. There should be a 1" gap between the top of the barrier screen and the trim.



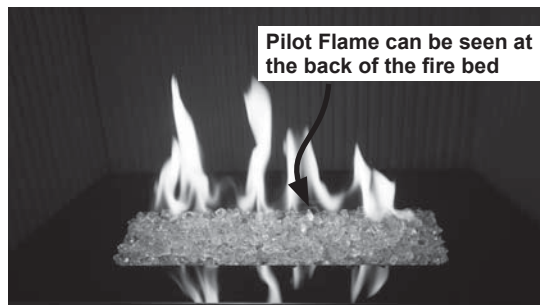
- Verify that the screen is properly hooked and secure.

Checking Pilot and Burner Flames

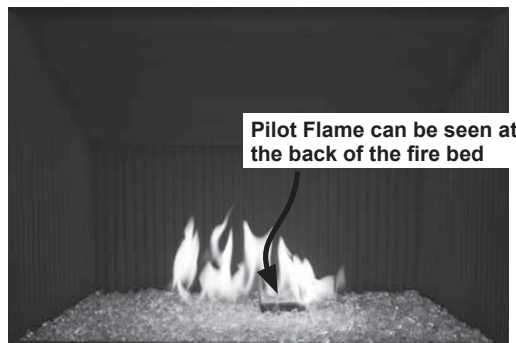
A periodic check of the pilot and burner flames should be made. Check after the fire has been on for at least 30 minutes. The pilot flame must cover the tip of the thermocouple probe. The main burner flame pattern will vary from appliance to appliance depending on the type of installation and climatic conditions.



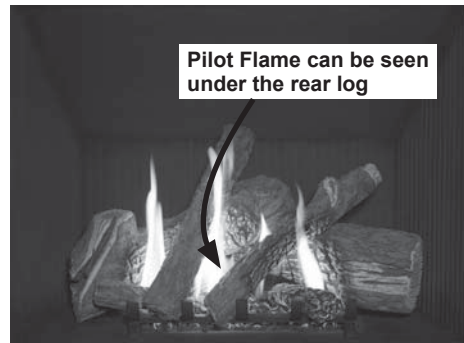
1400 Driftwood Kit—Correct Flame Picture



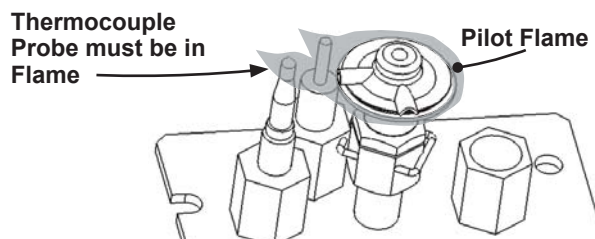
1400 Decorative Glass Murano—Correct Flame Picture



1400 Decorative Glass Set—Correct Flame Picture



1400 Log Set—Correct Flame Picture



The appliance area must always be kept clear and free from combustible materials, gasoline and other flammable vapors and liquids.

Inspect the vent terminal outdoors regularly to make sure that snow, trees, bushes, leaves, or other objects do not obstruct it.

Examine the vent system and terminal regularly. We recommend annually.

Replacing Batteries

WARNING

DO NOT ATTEMPT TO CHANGE THE BATTERIES WHILE THE FIREPLACE IS STILL HOT! Let the fireplace cool first before touching it.

CAUTION

DO NOT USE a screwdriver or other metallic object to remove the batteries from the receiver or the handset! This could cause a short circuit.

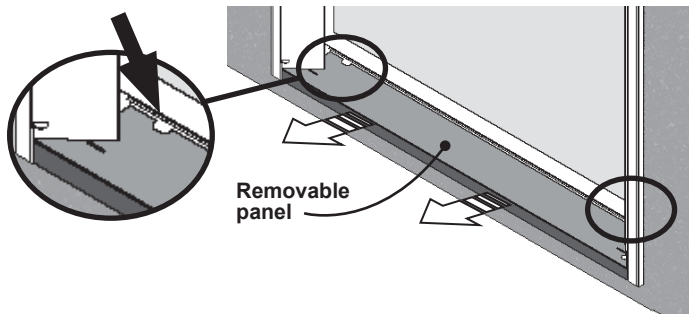
Low batteries signal: see page 15.

The appliance uses four 1.5 V AA **alkaline** batteries for its receiver and two AAA **alkaline** battery for its handset. Batteries should last one to two seasons, depending on usage. Removing the batteries in the off-season will extend the battery life.

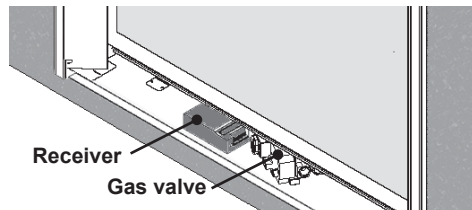
To replace the batteries in the receiver:

The receiver is located to the left side of the gas valve under the removable panel in front of the appliance.

1. Remove the barrier screen and the removable panel. It is not necessary to remove the side doors. **Note:** If it is difficult to pull out the panel from its front edge, use your finger and pull from the notches in the panel at the bottom of the window.



2. Pull the receiver out.



3. Slide the receiver battery compartment's cover off.
4. Replace the batteries with 4 AA **alkaline** batteries orienting them as indicated inside the compartment.
5. Replace the cover.
6. Put the receiver back in its location at the left of the gas valve.
7. Reinstall the removable panel sliding it back under the side doors until it is flush with the sides of the trim.
8. Reinstall the barrier screen.

Using Handset Wall Holder

Your fireplace equipment includes a wall holder to store the handset. If it hasn't be installed, refer to the instructions further on in this manual for the installation.

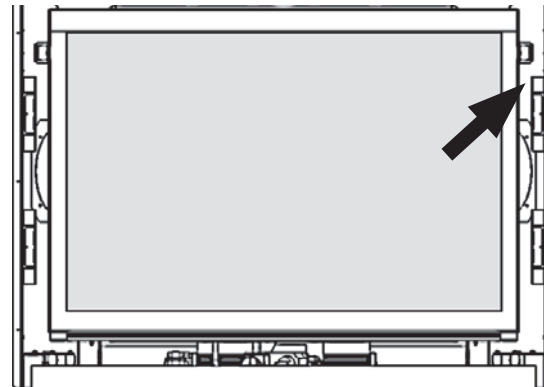


Locating Lighting, Operation and Rating Information Card

! WARNING

DO NOT ATTEMPT TO TOUCH THE INFORMATION CARD WHILE THE FIREPLACE IS STILL HOT! Let the fireplace cool first before touching it.

The Lighting, Operation and Rating Information card is located at the right-hand side of the firebox.



To access the information card, remove the barrier screen and the right-hand side door. Pull it out and read the important information on both sides.

Servicing Your Fireplace

If any attention is required for your appliance, contact your supplier quoting the model number. It will be helpful if the appliance's serial number can also be quoted. This number is on the rating card. The replacement parts are shown at the end of this manual. Please always quote the part number and description when requesting spare parts.

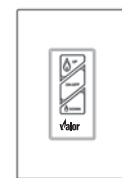
Operating Your Fireplace

There are two ways to control your fireplace.

1. Thermostatic Remote Control;
2. Wall Switch (optional).



Thermostatic Remote Control




Wall Switch (optional)

The Thermostatic Remote Control can be programmed to function automatically—see pages 11–15.

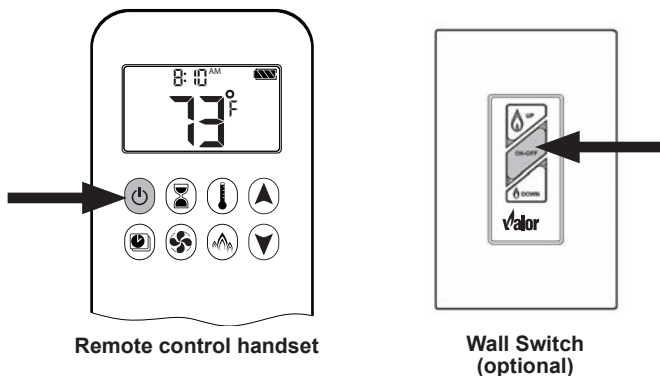
The Wall Switch can be used to turn on, off and to increase or decrease the flame height—see the 1265WSK—Wall Switch Kit.

How to Turn Your Fireplace OFF
(including pilot)

Familiarize yourself with each of the following methods before operating your fireplace.

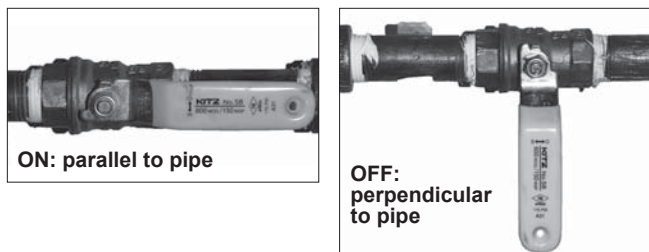
Press and hold for 4 seconds the  button on the handset or OFF button on the optional wall switch.

NOTE: The first tap on the button “wakes up” the handset. Tap again to use the function.



If the flames are on, they go down and you hear the valve motor wind down. You hear a clunk and a beep indicating that the valve has received the signal from the remote control.

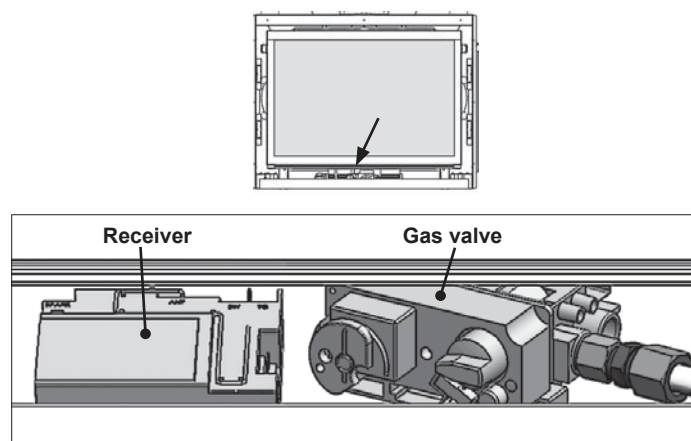
As well, familiarize yourself with the gas shut-off valve location in your house. As indicated below, the gas is running when the handle is parallel with the pipe. The gas is off when the handle is perpendicular with the pipe.



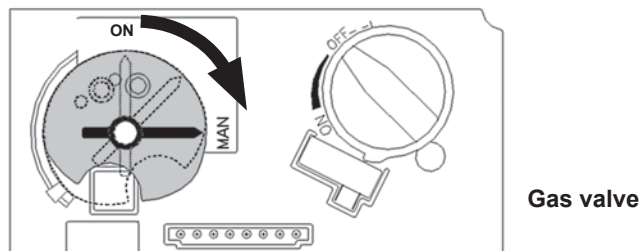
How to Ensure Your Fireplace Cannot Be Turned ON Inadvertently

You can use one of the two following methods to ensure that your fireplace will not turn on when you don't want it on.

First, ensure your fireplace is turned off—including the pilot—and cold BEFORE going ahead.



- Turn the dial on the gas valve from the ON position to the MAN position as shown. Turning the dial to MAN (arrow up) will ensure that the main burner can not come on. The pilot will remain on if it is lit.



- Alternately, remove all batteries from the receiver as well as the battery from the handset.

Automatic Shut-Off (in certain conditions)

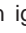
Your fireplace's remote control is equipped with an automatic shut-off mechanism which is activated in certain conditions. See page 15 in the *Remote Control Operation* section for a description of this feature.

Remote Control Operation

NOTE: Before using the remote control system for the first time, the receiver and the handset must be paired. See the section *Remote Control Initial Pairing* on page 61 of this manual.

CHOOSING ONE-BUTTON OR TWO-BUTTON IGNITION

On this remote control handset, you can choose a one-button or two-button ignition. You can also choose to activate or deactivate some of the functions. By default, the handset is set to a one-button ignition.

To change from 1-button ignition to 2-button ignition, remove the batteries, wait 10 seconds, reinsert them and immediately when the display flashes, press and hold the  button for 10 seconds. **ON** is displayed and **1** is flashing. When change is complete **1** changes to **2**.

To change from two-button ignition to one-button ignition, proceed the same way as above. **ON** is displayed and **2** is flashing. When change is complete **2** changes to **1**.

DEACTIVATING OR ACTIVATING FUNCTIONS

Some functions can be deactivated or activated.

Deactivate Functions

1. Install batteries. All icons are displayed and flashing.
2. While the icons are flashing, press the relevant function button and hold for 10 sec.
3. The function icon will flash until deactivation is complete. Deactivation is complete when the function icon and two horizontal bars are displayed. --

NOTE: If a deactivated button is pressed, there is no function, and two horizontal bars are displayed.

NOTE: Deactivation remains in effect after change of batteries.

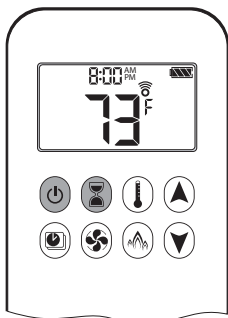
Activate Functions



1. Install batteries. All icons are displayed and flashing.
2. To activate a function, press the relevant button and hold for 10 sec.
3. The function icon will continue to flash until activation is complete. Activation is complete when the function icon is displayed.

The following Functions can be Deactivated/Activated

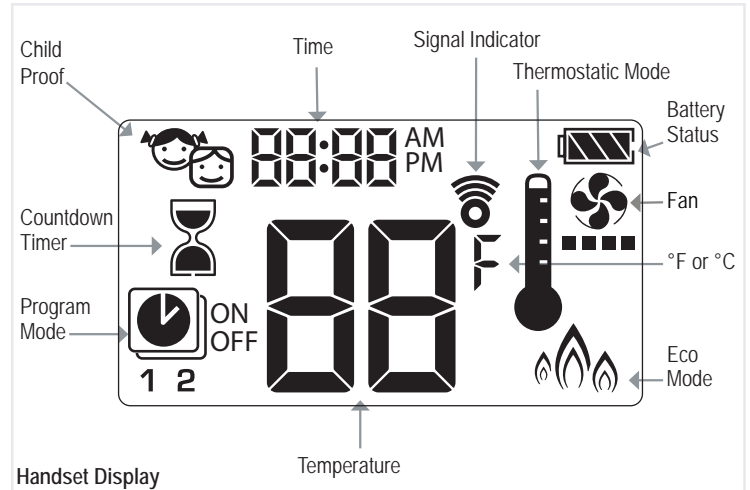
- CHILD PROOF
- PROGRAM MODE
- THERMOSTATIC MODE (also deactivates Program Mode)
- ECO MODE
- CIRCULATING FAN OPERATION
- COUNTDOWN TIMER

SETTING CELSIUS OR FAHRENHEIT



To change between °C and °F, press  and  buttons simultaneously.

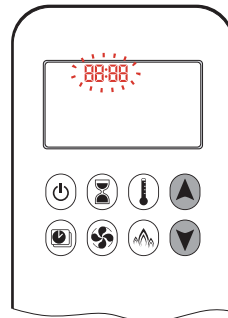
NOTE: Choosing °F results in a 12 hour clock. Choosing °C results in a 24 hour clock.











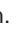


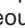


⚠ WARNING

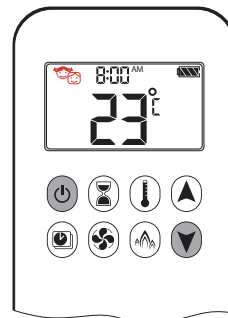
IMPORTANT: If the display on the handset indicates OFF, it may not mean that the fire is off. **Always check the fire and pilot visually to ensure they are off.**




SETTING THE TIME




1. Press  and  buttons simultaneously. **Day** flashes.
2. Press  or  button to select a number to correspond with the day of the week.
 1 = Monday
 2 = Tuesday
 3 = Wednesday
 4 = Thursday
 5 = Friday
 6 = Saturday
 7 = Sunday
3. Press  and  buttons simultaneously. **Hour** flashes.
4. To select hour press  or  button.
5. Press  and  buttons simultaneously. **Minutes** flash.
6. To select minutes press  or  button.
7. To confirm press  and  buttons simultaneously or wait.

CHILD PROOF



ON:
To activate press  and  buttons simultaneously.  displayed and the handset is rendered inoperable, except for the OFF function.

OFF:
To deactivate press  and  buttons simultaneously.  disappears.

Remote Control Operation

MANUAL MODE (HANDSET)

NOTICE

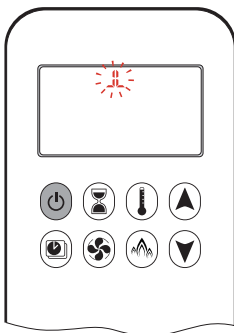
BEFORE OPERATING

Make sure MANUAL knob on the GV60 Valve is in the **ON**, full counterclockwise ↺ position.

TO TURN ON FIRE

▲ WARNING

When pilot ignition is confirmed, motor turns automatically to maximum flame height.

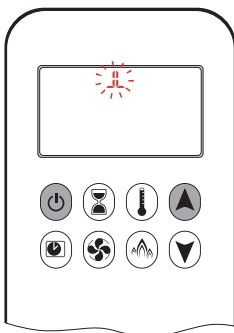


Handset One-Button Operation
(Default Setting)

- Press (⏻) button and hold for four seconds until two short beeps and a blinking series of lines confirms the start sequence has begun; release button.
- Main gas flows once pilot ignition is confirmed.
- Handset automatically goes into manual mode after main burner ignition.

NOTICE

To change from one-button to two-button ignition operation, go to page 1 for instructions.



Handset Two-Button Operation

- Press (⏻) and (▲) button simultaneously until two short beeps and a blinking series of lines confirms the start sequence has begun; release buttons.
- Main gas flows once pilot ignition is confirmed.
- Handset automatically goes into manual mode after main burner ignition.

NOTICE

To change from two-button to one-button ignition operation, go to page 1 for instructions.

▲ WARNING

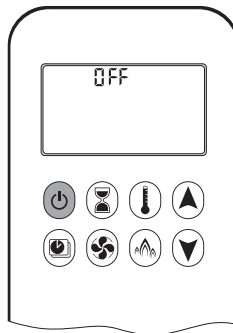
If the pilot does not stay lit after several tries, turn the gas control knob to **OFF** (⏻) and call your local service technician or gas supplier. See page 17 for more information.

STANDBY MODE (PILOT FLAME)

Handset

- Press and hold (▼) button to set appliance to pilot flame.

TO TURN OFF FIRE



Handset

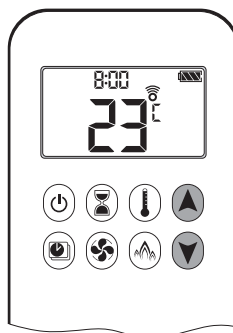
- Press (⏻) button and hold for four seconds to turn OFF.

NOTE: There is a 5 sec delay before the next ignition is possible.

▲ WARNING

IMPORTANT: If the display on the handset indicates OFF, it may not mean that the fire is off. **Always check the fire and pilot visually to ensure they are off.**

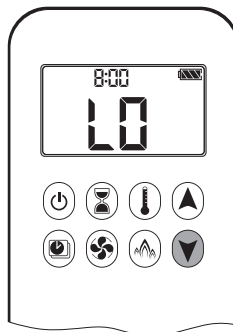
FLAME HEIGHT ADJUSTMENT



Handset

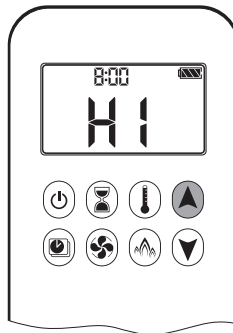
- To increase flame height press and hold (▲) button.
- To decrease flame height or to set appliance to pilot flame, press and hold (▼) button.

DESIGNATED LOW FIRE AND HIGH FIRE



- To go to low fire, double-click (▼) button. "LO" is displayed.

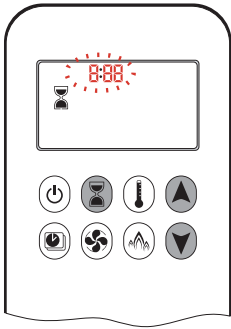
NOTE: Flame goes to high fire first before going to low fire.



- To go to high fire, double-click (▲) button. "HI" is displayed.

Remote Control Operation

COUNTDOWN TIMER



ON/SETTING:

1. Press and hold button until displayed, and hour flashes.
2. To select hour press or button.
3. To confirm press button. **Minutes** flash.
4. To select minutes press or button.
5. To confirm press button or wait.

OFF:

Press button, and countdown time disappear.

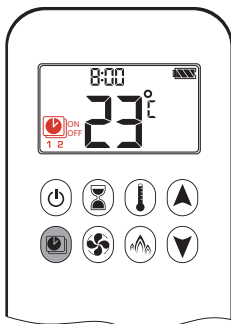
NOTE: At end of countdown time period, the fire turns off. The CountdownTimer only works in Manual, Thermostatic, and Eco Modes. Maximum countdown time is 9 hours and 50 minutes.

MODES OF OPERATION



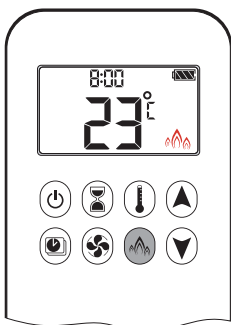
Thermostatic Mode

The room temperature is measured and compared to the set temperature. The flame height is then automatically adjusted to achieve the set temperature.



Program Mode

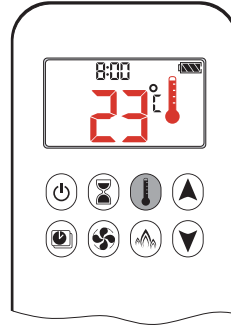
Programs 1 and 2, each can be programmed to go on and off at specific times at a set temperature.



Eco Mode

Flame height modulates between high and low. If the room temperature is lower than the set temperature, the flame height stays on high for a longer period of time. If the room temperature is higher than the set temperature, the flame height stays on low for a longer period of time. One cycle lasts approximately 20 minutes.

THERMOSTATIC MODE

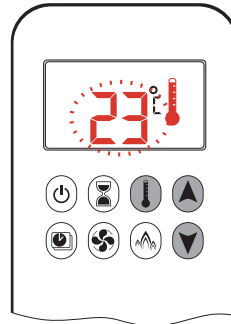


ON:

Press button. displayed, preset temperature displayed briefly, and then room temperature displayed.

OFF:

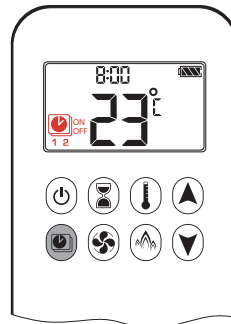
1. Press button.
2. Press or button to enter Manual Mode.
3. Press button to enter Program Mode.
4. Press button to enter Eco mode.



SETTING:

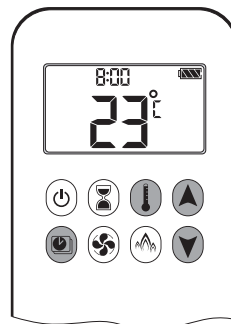
1. Press button and hold until displayed, temperature flashes.
2. To adjust SET temperature press or button.
3. To confirm press button or wait.

PROGRAM MODE



ON:

Press button. , **1** or **2**, ON or OFF displayed.



OFF:

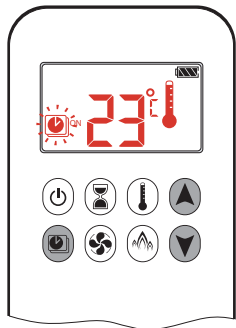
1. Press or or button to enter Manual Mode.
2. Press button to enter Thermostatic Mode.

NOTE: The set temperature for Thermostatic Mode is the temperature for the ON time in Program Mode. Changing the Thermostatic Mode set temperature also changes the ON time temperature in Program Mode.

Remote Control Operation

Default settings:

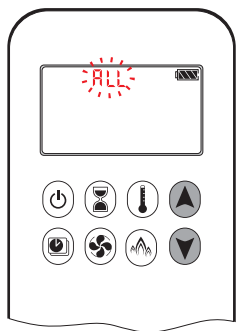
ON TIME (Thermostatic) TEMPERATURE: 21°C (70°F)
OFF TIME TEMPERATURE: “--” (pilot flame only)



TEMPERATURE SETTING:

1. Press button and hold until flashes. **ON** and set temperature (setting in Thermostatic Mode) displayed.
2. To continue press button or wait. **OFF** displayed, temperature flashes.
3. Select off temperature by pressing the or button.

NOTE: The ON (Thermostatic) and OFF set temperatures are the same for each day.



DAY SETTING:

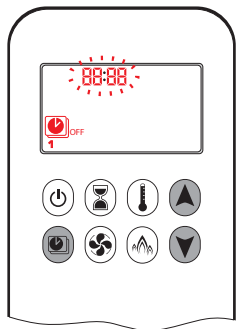
4. **ALL** flashes. Press or button to choose between **ALL**, **SAT-SUN**, **1, 2, 3, 4, 5, 6, 7**.
5. To confirm press button.

ALL selected



ON TIME SETTING (PROGRAM 1):

6. , **1, ON** displayed, day is displayed shortly, and **hour** flashes.
7. To select hour press or button.
8. To confirm press button. , **1, ON** displayed, **minutes** flash.
9. To select minutes press or button.
10. To confirm press button.



OFF TIME SETTING (PROGRAM 1):

11. , **1, OFF** displayed, day is displayed shortly, and **hour** flashes.
12. To select hour, press or button.
13. To confirm press button. , **1, OFF** displayed, **minutes** flash.
14. To select minutes press or button.
15. To confirm press button.

NOTE: Either continue to PROGRAM 2 and set on and off times or stop programming at this point, and PROGRAM 2 remains deactivated.

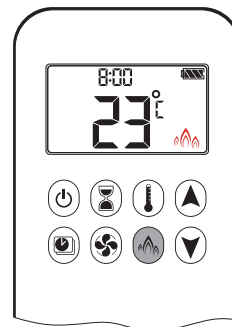
NOTE: PROGRAM 1 and 2 use the same on (Thermostatic) and off temperatures for **ALL**, **SAT-SUN** and “Daily Timer” (1, 2, 3, 4, 5, 6, 7). Once a new on (Thermostatic) and/or off temperature has been set, that temperature becomes the new default setting.

NOTE: If **ALL**, **SAT-SUN** or “Daily Timer” are programmed for PROGRAM 1 and PROGRAM 2 on and off times, these become the new default times. The batteries must be removed to clear the PROGRAM 1 and PROGRAM 2 on and off times and temperatures.

SAT-SUN or “Daily Timer” (1, 2, 3, 4, 5, 6, 7) selected

- Set on time and off time using same procedure as “**ALL selected**” (above).
- **SAT-SUN**: Set on time and off time for both Saturday and Sunday.
- Unique on and off times may be set for a single day of the week, for multiple days of the week, or for every day of the week.
- Wait to finish setting.

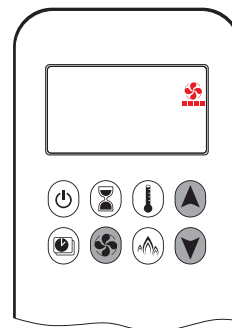
ECO MODE



ON:
Press button. displayed.

OFF:
Press button. disappears.

CIRCULATING FAN OPERATION



NOTE: SETTING only. Fan is switched on automatically when gas opens. Circulating fan has 4 speed levels from low (1 bar) to high (4 bars).

SETTING:

1. Press button and hold until flashes.
2. Press button to increase fan speed and button to decrease fan speed.
3. To confirm setting either press button or wait (displayed).

OFF:

Press button until all 4 speed level bars disappear.


Remote Control Operation

LOW BATTERY INDICATION

▲ WARNING

Do not use a screwdriver or other metallic object to remove the batteries from the receiver or the handset. This could cause a short-circuit of the remote control system.

Handset

- The battery icon  will show when the battery needs to be replaced. Replace with two 1.5 V AAA **alkaline** batteries.

Receiver

- Frequent beeps for 3 seconds when the motor turns indicate the batteries need to be replaced. Replace with four 1.5 V **alkaline** batteries.

AUTOMATIC TURN DOWN

3 Hour No Communication Function

- The valve will turn to pilot flame if there is no communication between handset and receiver for a 3-hour period. The fire will continue to function normally when communication is restored.

Receiver Overheating

(only if optional circulating fan control module is connected)

- Valve turns to pilot flame if the temperature in the receiver is higher than 140°F (60°C). The main burner turns back on (manually or in Thermostatic Mode) only when the temperature is below 140°F (60°C).

AUTOMATIC SHUT OFF

Countdown Timer

- At end of countdown time period, the fire turns off. The CountdownTimer only works in Manual, Thermostatic, and Eco Modes. Maximum countdown time is 9 hours and 50 minutes.

Low Battery Receiver

- With low battery power in the receiver the system shuts off the fire completely. This will not happen if the power supply is interrupted.

Five Day Shut Off

- The system shuts off the fire completely if there is no change in flame height for 5 days.

Options

Required Kits		
Fuel Beds (choose one)		
1400DWK	Driftwood Kit	
1400DGM	Murano Glass Kit	
1400DGS	Decorative Glass Set	
1400LSK	Traditional Log Kit	
Liners (choose one)		
1410VRL	Valor Red Brick Liners	
1415LSL	Ledgestone Liners	
1425FBL	Fluted Black Liners	
1460PBL	Plain Black Liners	
1470RGL	Reflective Glass Liners	
Surrounds (choose one)		Barrier Screen Number
1430FFK	Fixed Framing Kit	4004587
1435TSB	Three-Sided Surround Black	
1440FSB	Four-Sided Surround Black	
1440FSN	Four-Sided Surround Nickel	
1440FSZ	Four-Sided Surround Bronze	
Optional Accessories		
Gas Conversion Kits		
1400PGK	From NG to LPG	
1400NGK	From LPG to NG	
Other Accessories		
1405RGL	Reflective Liner for 1425FBL or 1460PBL	
1156CLA	Co-Linear Adapter	
1195CFK	Circulating Fan Kit	
1265WSK	Wall Switch Kit	
1270RBK	Remote Blower Kit	
GV60PAK	Power Kit	
Hearth Gate	Hearth gates such as Cardinal's VersaGates are available at retail stores carrying safety products for children.	
	*Information accurate at the time of printing and subject to change without notice.	

FOR YOUR SAFETY, READ BEFORE LIGHTING

WARNING: If you do not follow these instructions exactly, a fire or explosion may result causing property damage, personal injury or loss of life.

- A. This appliance has a pilot which must be lighted by hand, remote control, or wall switch. Follow these instructions exactly. To save gas, turn the pilot off when not using the appliance for a prolonged period of time.
- B. **BEFORE LIGHTING**, smell all around the appliance area for gas. Be sure to smell next to the floor because some gases are heavier than air and will settle on the floor.
- WHAT TO DO IF YOU SMELL GAS**
- Do not try to light any appliance.
 - Do not touch any electric switch; do not use any phone in your building.
 - Immediately call your gas supplier from a neighbor's phone. Follow the gas supplier's instructions.
 - If you cannot reach your gas supplier, call the fire department.
- C. Use only your hand to push in or turn the control knobs. Never use tools. If the knobs will not push in or turn by hand, don't try to repair them; call a qualified service technician. Force or attempted repair may result in a fire or explosion.
- D. Do not use this appliance if any part has been under water. Immediately call a qualified service technician to inspect the appliance and to replace any part of the control system and any gas control, which has been under water.

LIGHTING INSTRUCTIONS

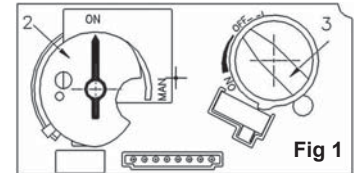
1. **STOP!** Read the safety information above.



2. **TO CLEAR ANY GAS, turn main valve off by pressing the  button on remote handset (1).**

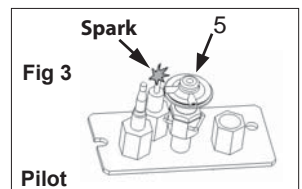


- Wait five (5) minutes to clear out any gas, then smell for gas, including near the floor. **If you smell gas, STOP!** Follow "B" in the safety information above on this label. If you don't smell gas, go to the next step.

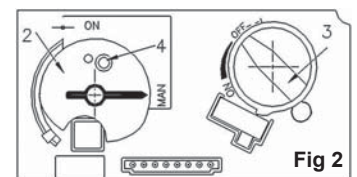
3. **AUTOMATIC IGNITION:** MAN-knob (2) in ON position. Ensure Flame Adjustment knob (3) is set to lowest setting (U) (Fig. 1). Locate the pilot (Fig. 3.) inside the firebox.





- On the remote control handset, press the  button; a short acoustic signal confirms the start has begun.
- Further short acoustic signals indicate the ignition process is in progress.
- When the pilot is lit, the Flame Adjustment knob (3) will automatically rotate to the highest setting.
- Press the  button on the remote control handset to reduce the flame height.





4. **MANUAL IGNITION:** MAN-knob (2) in MAN position (Fig. 2). With the window off, locate the pilot (Fig. 3) inside the firebox.



- Set Flame Adjustment knob (3) to the lowest setting (U).
- Push down the metallic core (4) with a pen or similar instrument; this will establish the pilot gas flow.
- Light gas at the pilot (5) with a match.
- Continue holding down metal core (4) for about 10 seconds; after release, pilot should remain lit.
 - If the pilot will not stay lit after several tries, turn the gas control knob (3) to OFF (U) and call your local service technician or gas supplier.
- Reinstall the window and set the MAN-knob (2) to ON; turn Flame Adjustment knob (3) up (O) or down (U) manually or use the  and  buttons on the remote control handset to adjust the flame height.

TO TURN OFF GAS TO APPLIANCE

AUTOMATIC SHUT-OFF (using the remote control handset):

- Press and hold the  button on the remote control handset to shut-off the main burner gas flow.
- Press the  button on remote handset to shut-off the appliance, including pilot flame.

**State of Massachusetts Carbon Monoxide
Detector/Vent Terminal Signage
Requirements**

For all side wall horizontally vented gas fueled equipment installed in every dwelling, building or structure used in whole or in part for residential purposes, including those owned or operated by the Commonwealth and where the side wall exhaust vent termination is less than seven (7) feet above finished grade in the area of the venting, including but not limited to decks and porches, the following requirements shall be satisfied:

1. INSTALLATION OF CARBON MONOXIDE DETECTORS. At the time of installation of the side wall horizontal vented gas fueled equipment, the installing plumber or gas fitter shall observe that a hard wired carbon monoxide detector with an alarm and battery back-up is installed on the floor level where the gas equipment is to be installed. In addition, the installing plumber or gas fitter shall observe that a battery operated or hard wired carbon monoxide detector with an alarm is installed on each additional level of the dwelling, building or structure served by the side wall horizontal vented gas fueled equipment. It shall be the responsibility of the property owner to secure the services of qualified licensed professionals for the installation of hard wired carbon monoxide detectors.

a. In the event that the side wall horizontally vented gas fueled equipment is installed in a crawl space or an attic, the hard wired carbon monoxide detector with alarm and battery back-up may be installed on the next adjacent floor level.

b. In the event that the requirements of this subdivision can not be met at the time of completion of installation, the owner shall have a period of thirty (30) days to comply with the above requirements; provided, however, that during said thirty (30) day period, a battery operated carbon monoxide detector with an alarm shall be installed.

2. APPROVED CARBON MONOXIDE DETECTORS. Each carbon monoxide detector as required in accordance with the above provisions shall comply with NFPA 720 and be ANSI/UL 2034 listed and IAS certified.

3. SIGNAGE. A metal or plastic identification plate shall be permanently mounted to the exterior of the building at a minimum height of eight (8) feet above grade directly in line with the exhaust vent terminal for the horizontally vented gas fueled heating appliance or equipment. The sign shall read, in print size no less than one-half (1/2) inch in size, "GAS VENT DIRECTLY BELOW. KEEP CLEAR OF ALL OBSTRUCTIONS".

4. INSPECTION. The state or local gas inspector of the side wall horizontally vented gas fueled equipment shall not approve the installation unless, upon inspection, the inspector observes carbon monoxide detectors and signage installed in accordance with the provisions of 248 CMR 5.08(2)(a)1 through 4.

(b) **EXEMPTIONS:** The following equipment is exempt from 248 CMR 5.08(2)(a)1 through 4:

1. The equipment listed in Chapter 10 entitled "Equipment Not Required To Be Vented" in the most current edition of NFPA 54 as adopted by the Board; and
2. Product Approved side wall horizontally vented gas fueled equipment installed in a room or structure separate from the dwelling, building or structure used in whole or in part for residential purposes.

(c) **MANUFACTURER REQUIREMENTS - GAS EQUIPMENT VENTING SYSTEM PROVIDED.** When the manufacturer of Product Approved side wall horizontally vented gas equipment provides a venting system design or venting system components with the equipment, the instructions provided by the manufacturer for installation of the equipment and the venting system shall include:

1. Detailed instructions for the installation of the venting system design or the venting system components; and
2. A complete parts list for the venting system design or venting system.

(d) MANUFACTURER REQUIREMENTS - GAS EQUIPMENT VENTING SYSTEM NOT PROVIDED.

When the manufacturer of a Product Approved side wall horizontally vented gas fueled equipment does not provide the parts for venting the flue gases, but identifies “special venting systems”, the following requirements shall be satisfied by the manufacturer:

1. The referenced “special venting system” instructions shall be included with the appliance or equipment installation instructions; and

2. The “special venting systems” shall be Product Approved by the Board, and the instructions for that system shall include a parts list and detailed installation instructions.

(e) A copy of all installation instructions for all Product Approved side wall horizontally vented gas fueled equipment, all venting instructions, all parts lists for venting instructions, and/or all venting design instructions shall remain with the appliance or equipment at the completion of the installation.

Specifications

Approval & Codes

This appliance is certified to ANSI Z21.88-2014/ CSA 2.33-2014 American National Standard / CSA Standard for *Vented Gas Fireplace Heaters* for use in Canada and USA, and to CGA 2.17-91 *High Altitude Standard in Canada*. This appliance is for direct vent installations.

This appliance complies with CSA P4.1-09 *Testing method for measuring annual fireplace efficiencies*.

The installation must conform to local codes or, in the absence of local codes, with the *National Fuel Gas Code, ANSI Z223.1* or the *Natural Gas and Propane Installation Code CAN/CGA-B149*. Only qualified licensed or trained personnel should install this appliance.

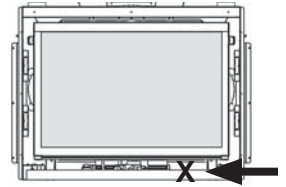
This appliance must be electrically grounded in accordance with local codes, or, in the absence of local codes, with the *National Electrical Code, ANSI/NFPA 70* or the *Canadian Electrical Code, CSA C22.1*.

Ratings

Model	1400IN	1400IP
Gas	Natural	Propane
Altitude (Ft.)*	0-4,500 feet*	
Input Maximum (Btu/h)	36,000	30,000
Input Minimum (Btu/h)	19,000	15,000
Manifold Pressure (in w.c.)	4.0"	9.0"
Minimum Supply Pressure (in w.c.)	5.0"	11.0
Maximum Supply Pressure (in w.c.)	10.0"	14.0
Main Burner Injector Marking	1000	360
Pilot Injector Marking	51	30
Min. Rate By-Pass Screw	220	125

*High Altitude Installations

Input ratings are shown in BTU per hour and are certified without deration for elevations up to 4,500 feet (1,370 m) above sea level.



For elevations above 4,500 feet (1,370 m) in USA, installations must be in accordance with the current ANSI Z223.1 and/or local codes having jurisdiction. Heating value of gas in some areas is reduced to compensate for elevation—consult your local gas utility to confirm.

For installations at elevations above 4,500 feet (1,370 m) in Canada, please consult provincial and/or local authorities having jurisdiction.

Supply Gas

Heater engine 1400IN is used with natural gas. Heater engine 1400IP is used with propane gas.

The supply pressure must be between the limits shown in the *Ratings* section.

The supply connection is 3/8" NPT male and located on the right hand side of the firebox. A shut-off valve (not supplied) is required on the supply line to isolate the unit during service. See *Supply Gas Installation* section for details.

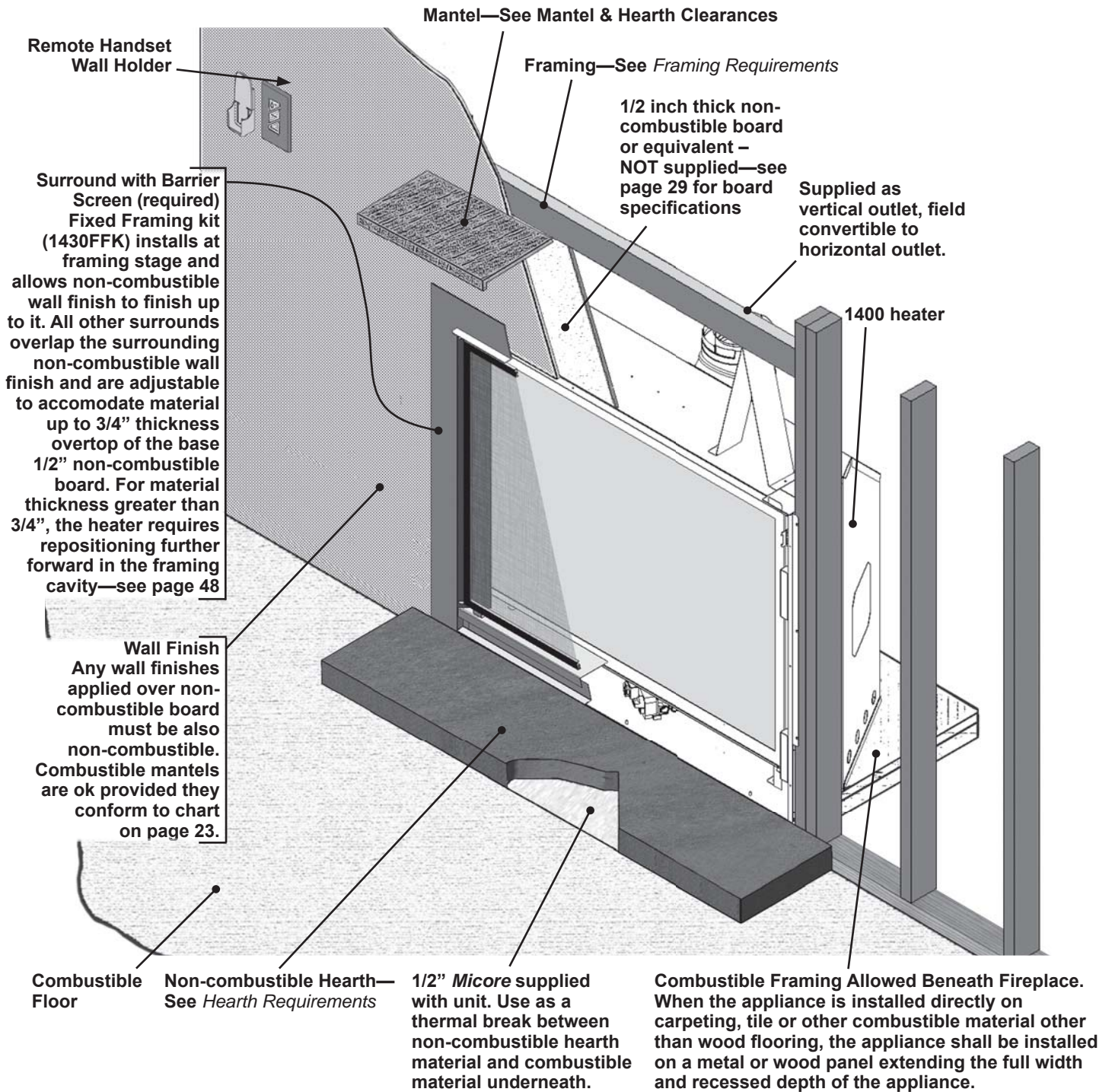
Conversion Kits

The 1400 is supplied as natural gas or propane gas and is field convertible between fuels. See instructions packaged with the conversion kits for further information.

Electrical

The 1400 is designed to run on battery power and does not require an electrical power source to operate as a heater. However, it requires electrical power to operate optional 1195CFK Circulating Fan Kit, 1270RBK Remote Blower Kit or GV60PAK Power Adapter.

Overview



⚠ WARNING

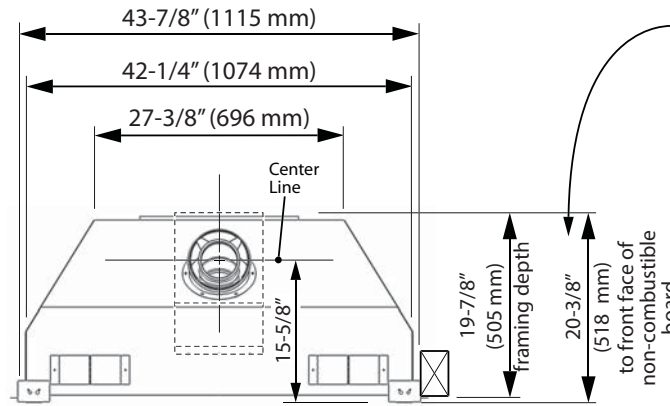
Some materials or items, although safe, may discolor, shrink, warp, crack, peel, and so on because of the heat produced by the fireplace. Avoid placing candles, paintings, photos, and other items sensitive to heat around the fireplace.

⚠ WARNING

HOT WALL SURFACES! The wall directly above the fireplace is constructed of non-combustible materials and, although safe, it may reach temperatures in excess of 200° F depending on choice of trims. Do not touch. Finish the wall using materials suitable for these temperatures.

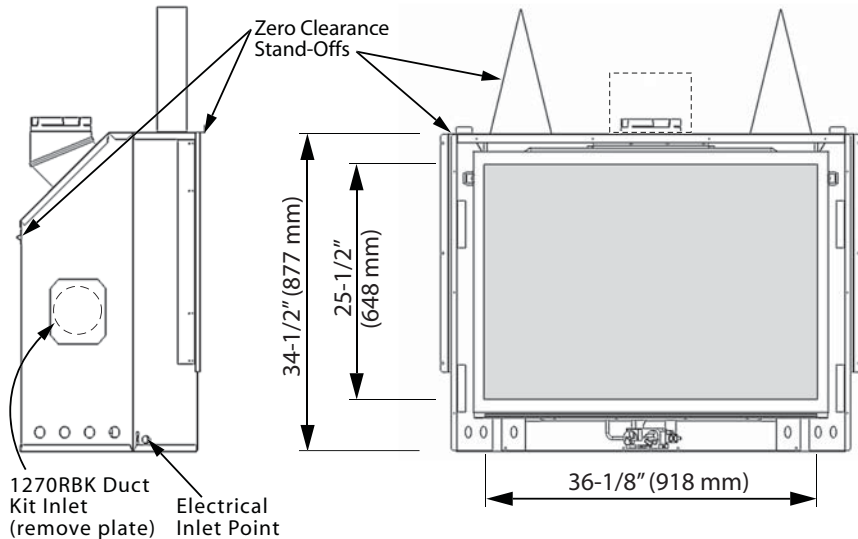
Dimensions & Location

Dimensions



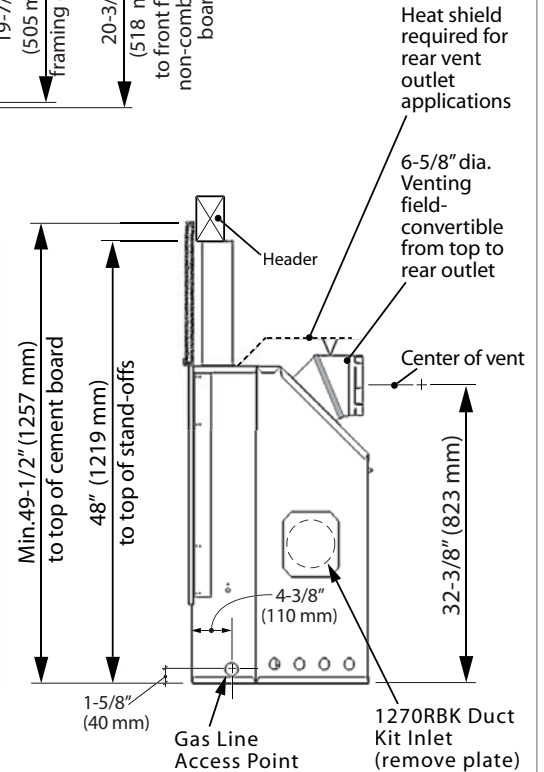
Note: This dimension is for the 1430FFK Fixed Framing Kit. For all other trims this is the maximum required and may be reduced if positioning the unit forward to accommodate thickness of non-combustible material over top of non-combustible board.

Top View



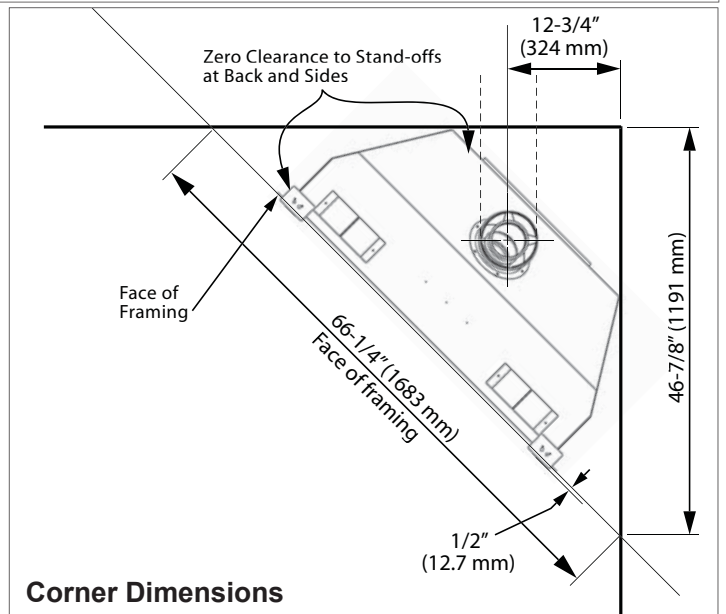
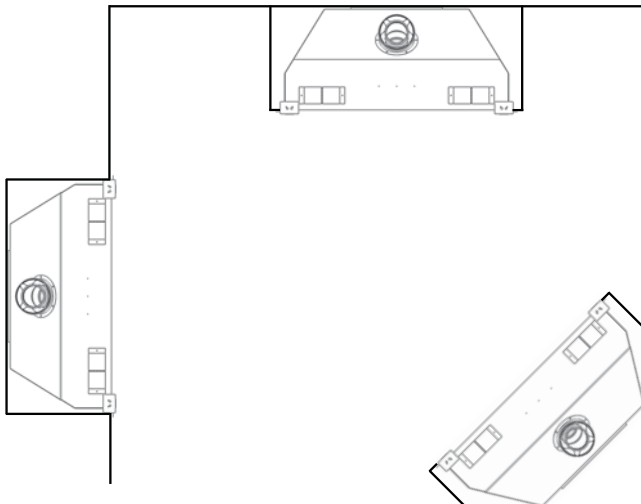
Left Side View

Front View



Right Side View

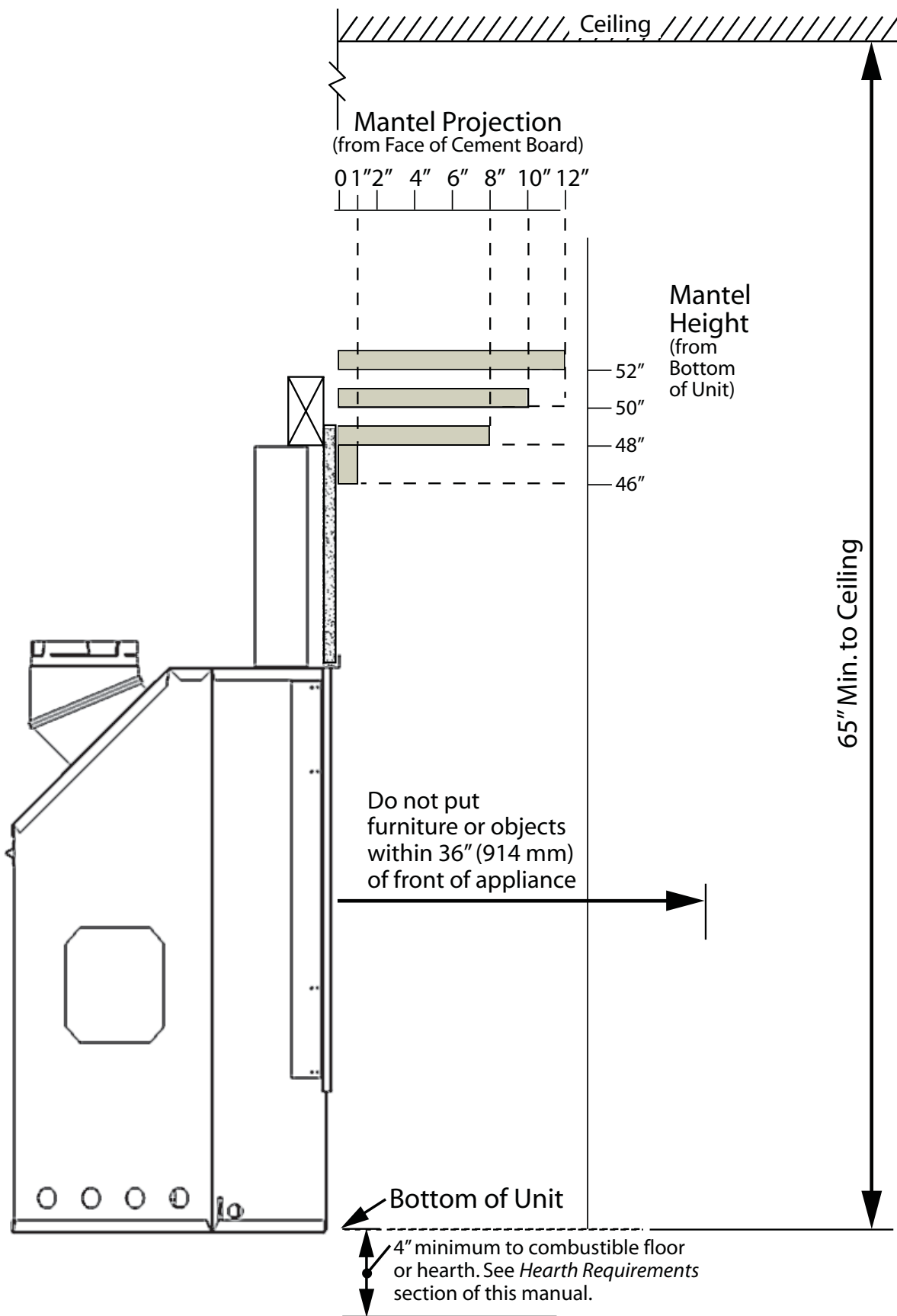
Location



Corner Dimensions

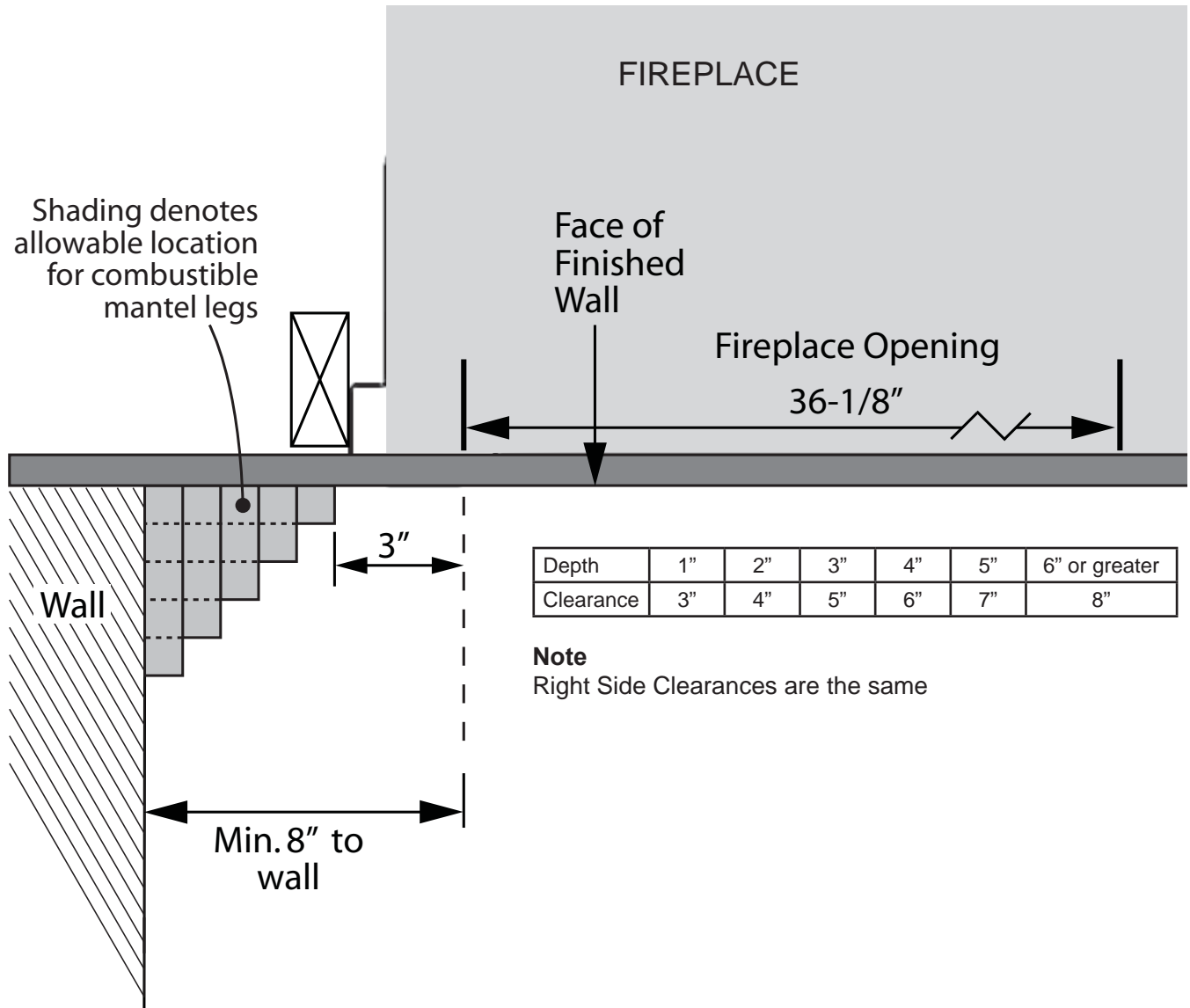
Mantel & Hearth Clearances

Combustible Mantel—Left Side View



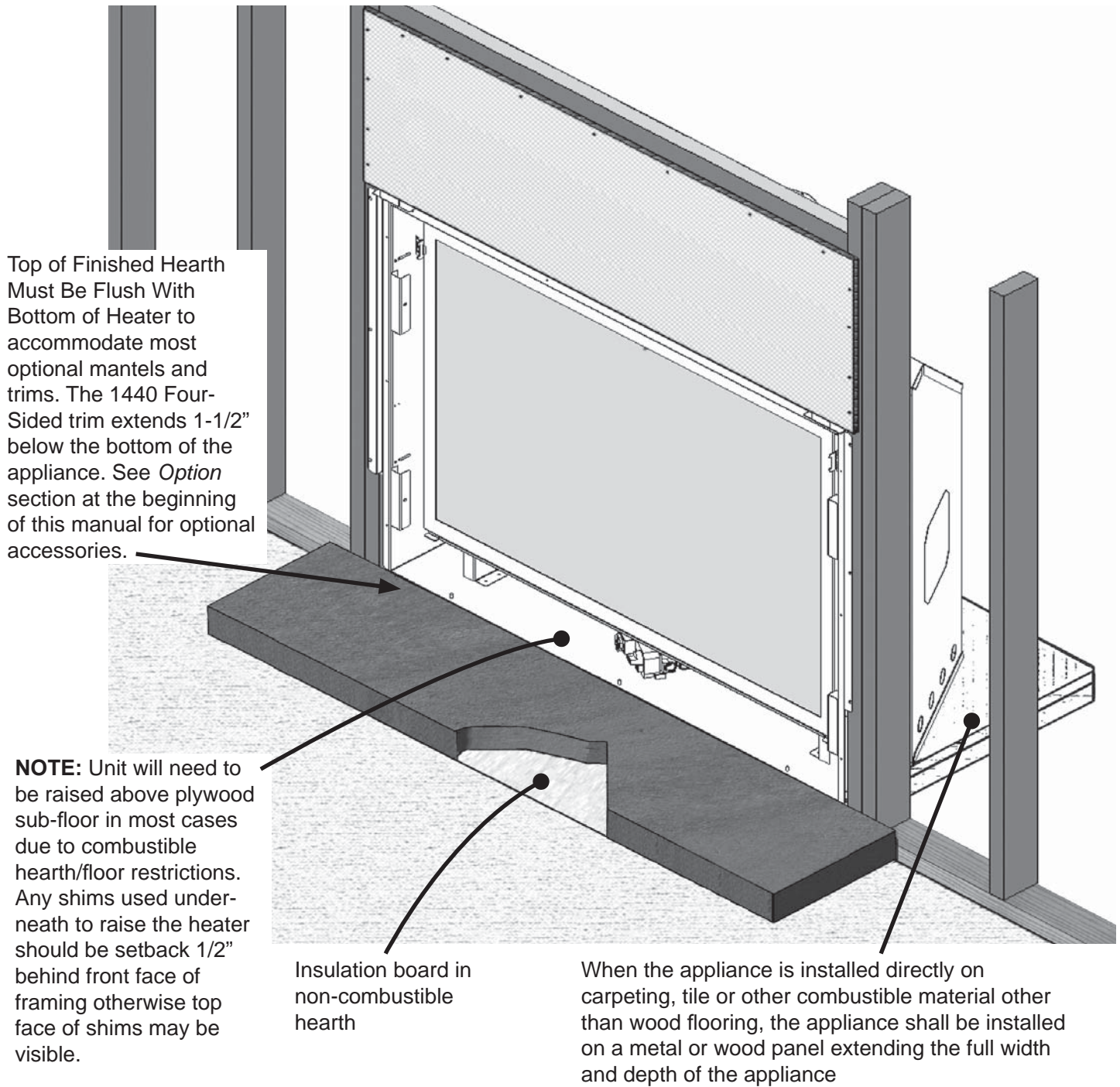
Mantel & Hearth Clearances

Combustible Sidewall / Mantel Leg—Top View



⚠ WARNING

SAFETY WARNING! The H6 is a very effective radiant heater. The hearth/floor in front of the heater can get very hot (in excess of 200°F). Locating the unit raised above the hearth/floor and using the screen front will greatly reduce hearth temperatures. Any hearth within 4 inches of the base of the heater must be constructed of non-combustible materials and utilise the insulation board supplied as a thermal break between the non-combustible hearth finish and the combustible construction below (see diagrams in the following pages). Note that some materials, although safe can degrade due to heat—take this into consideration when choosing materials.



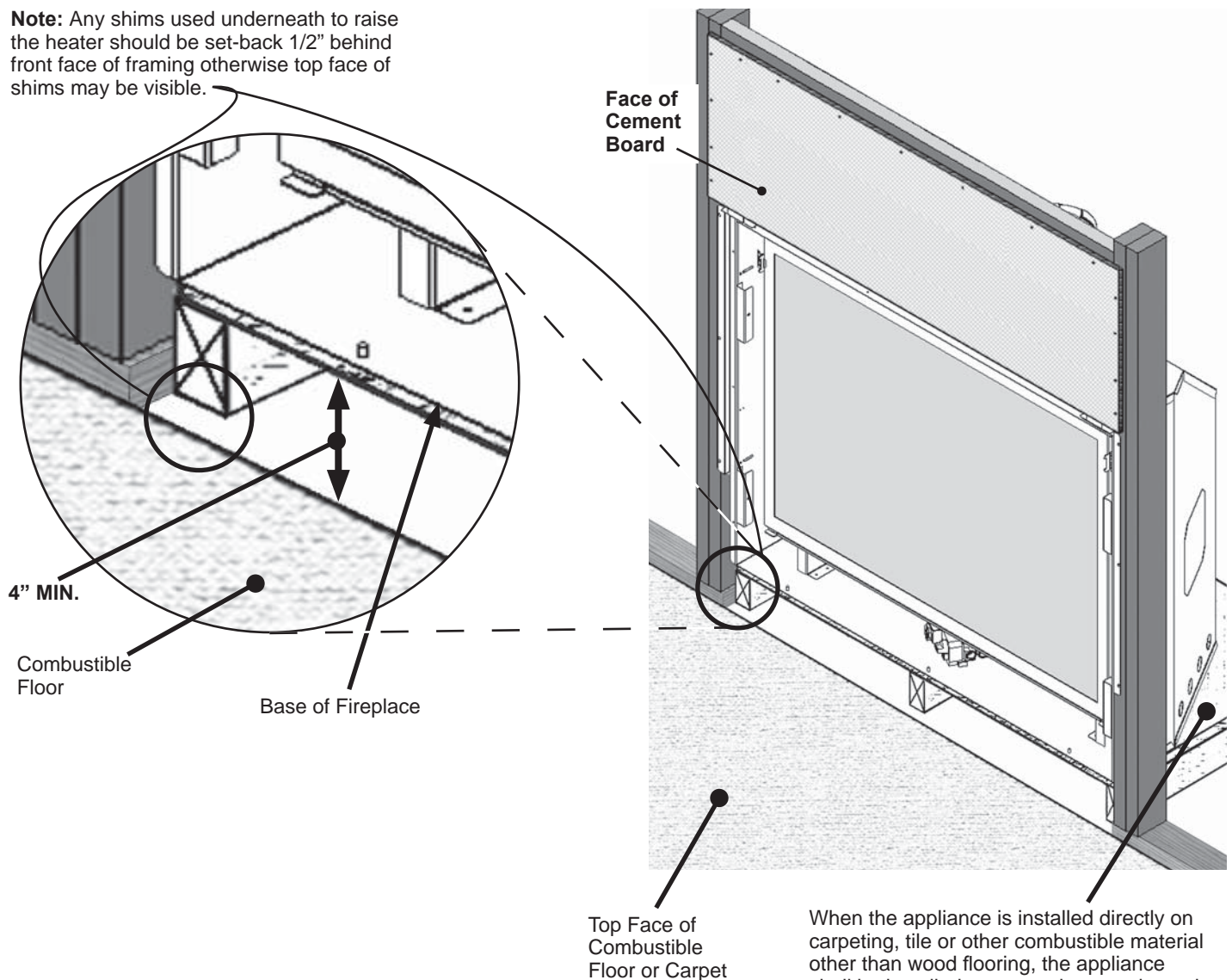
Hearth Requirements

Rules

1. A hearth is not required. However, any hearth/floor in front of fireplace within 4 inches vertically of the bottom of the unit must be non-combustible and project a minimum distance as shown on page 27. Hearth/floors within 4 inches must have a non-combustible finish **applied over the 1/2 inch insulation board** provided with the engine. This insulation board acts as a thermal break.
2. Minimum hearth projection is determined by a combination of the height of the hearth above the surface of combustible floor or carpet and the distance between the hearth and the bottom of the fireplace.
3. Combustible baseboards (1 inch thick or less) located on the wall are acceptable provided they are located below the base of the raised fireplace.

Unit Raised Above Combustible Hearth or Floor

Note: Any shims used underneath to raise the heater should be set-back 1/2" behind front face of framing otherwise top face of shims may be visible.

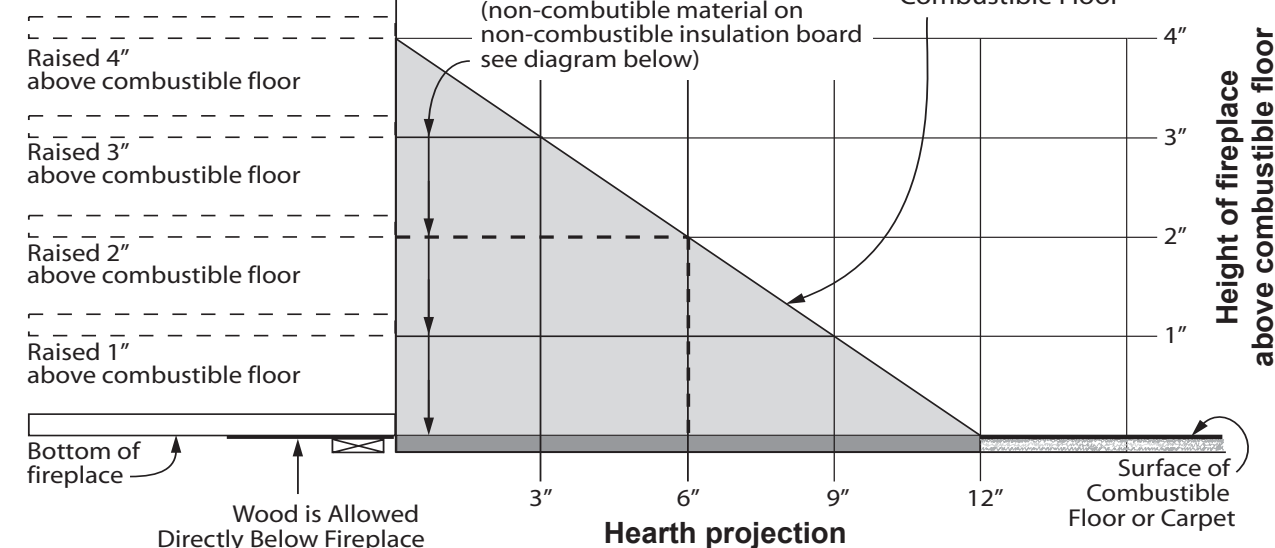


Hearth Requirements

Unit With Site-Built Non-Combustible Hearth Extending

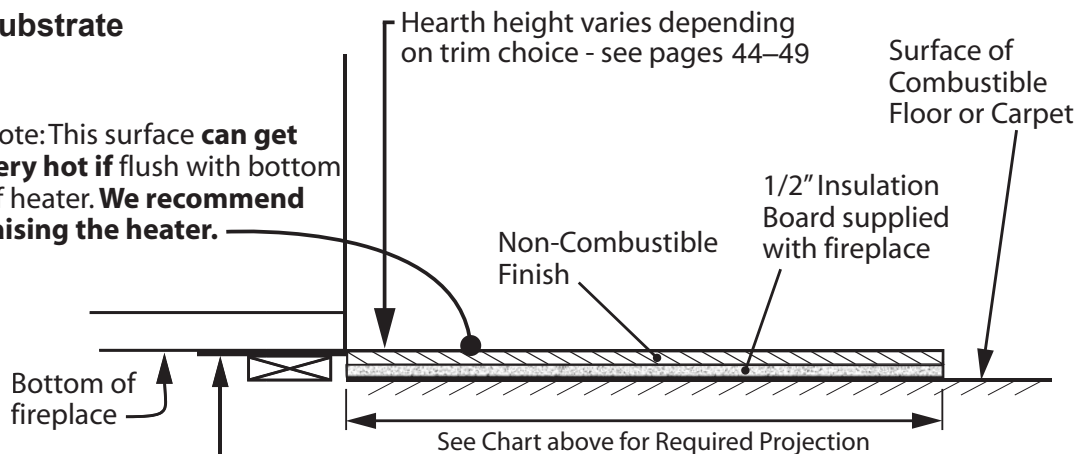
Example: If the fireplace is raised 2" above combustible floor, the non-combustible-flush-with-bottom-of-fireplace hearth must project a min. of 6" in front of the fireplace.

When using Optional Trims and Mantels, Surface of Finished Hearth Must Be Flush With Bottom of Fireplace (otherwise, optional trims will not fit)



Non-combustible substrate construction detail

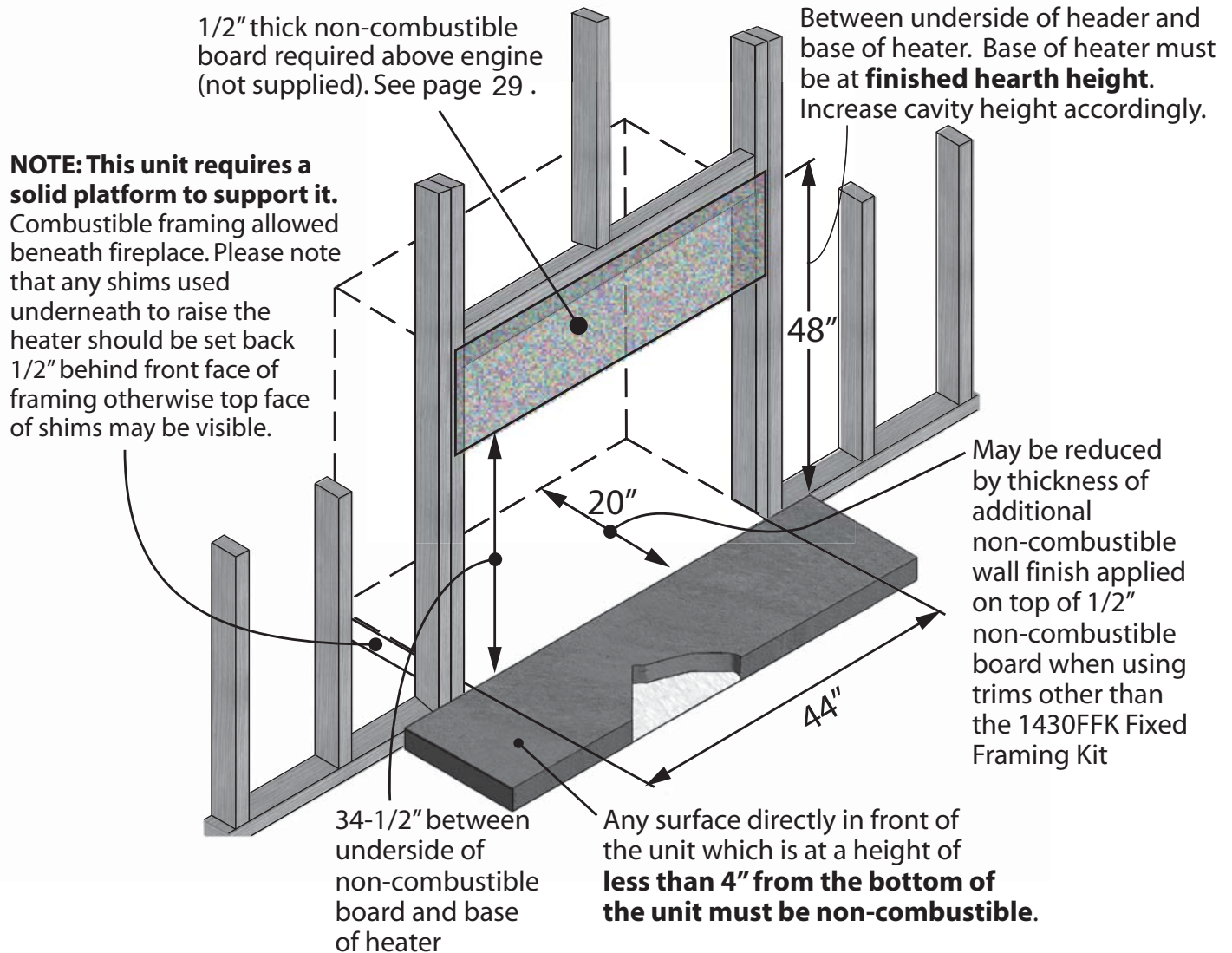
Note: This surface **can get very hot if** flush with bottom of heater. **We recommend raising the heater.**



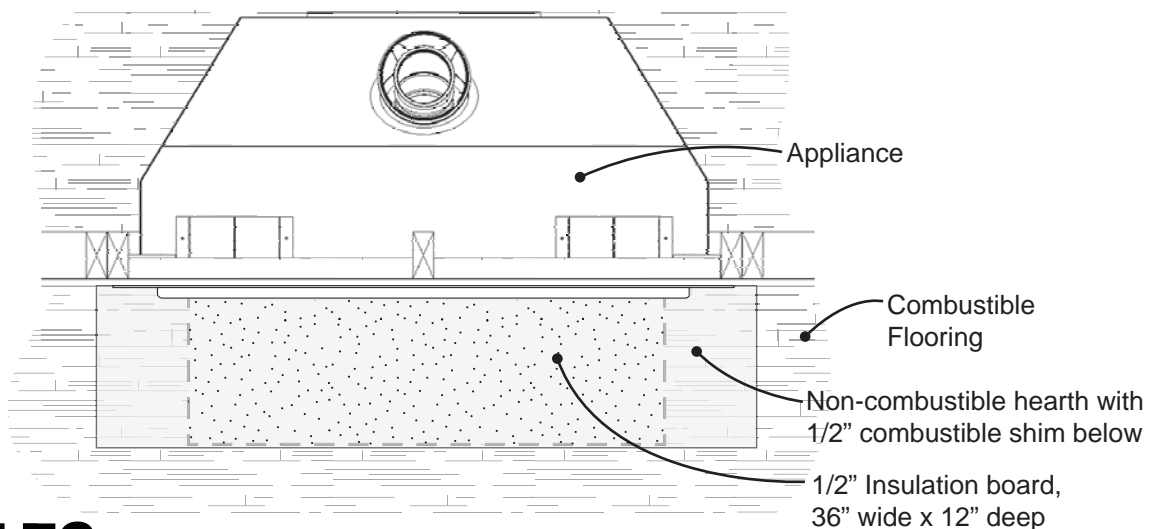
Wood is Allowed directly below fireplace

Note: Any shims used underneath to raise the heater should be set back 1/2" behind front face of framing otherwise topface of shims may be visible

Framing Requirements



Insulation Board Under Hearth

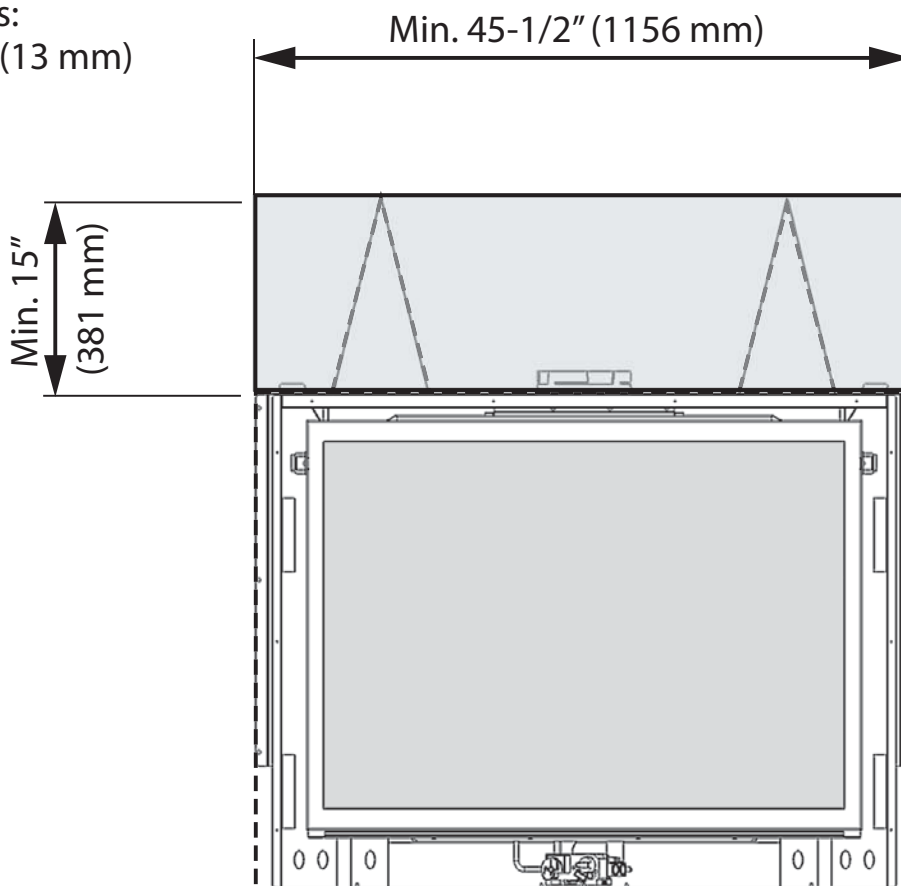


Framing Requirements

Minimum Non-Combustible Board Dimensions

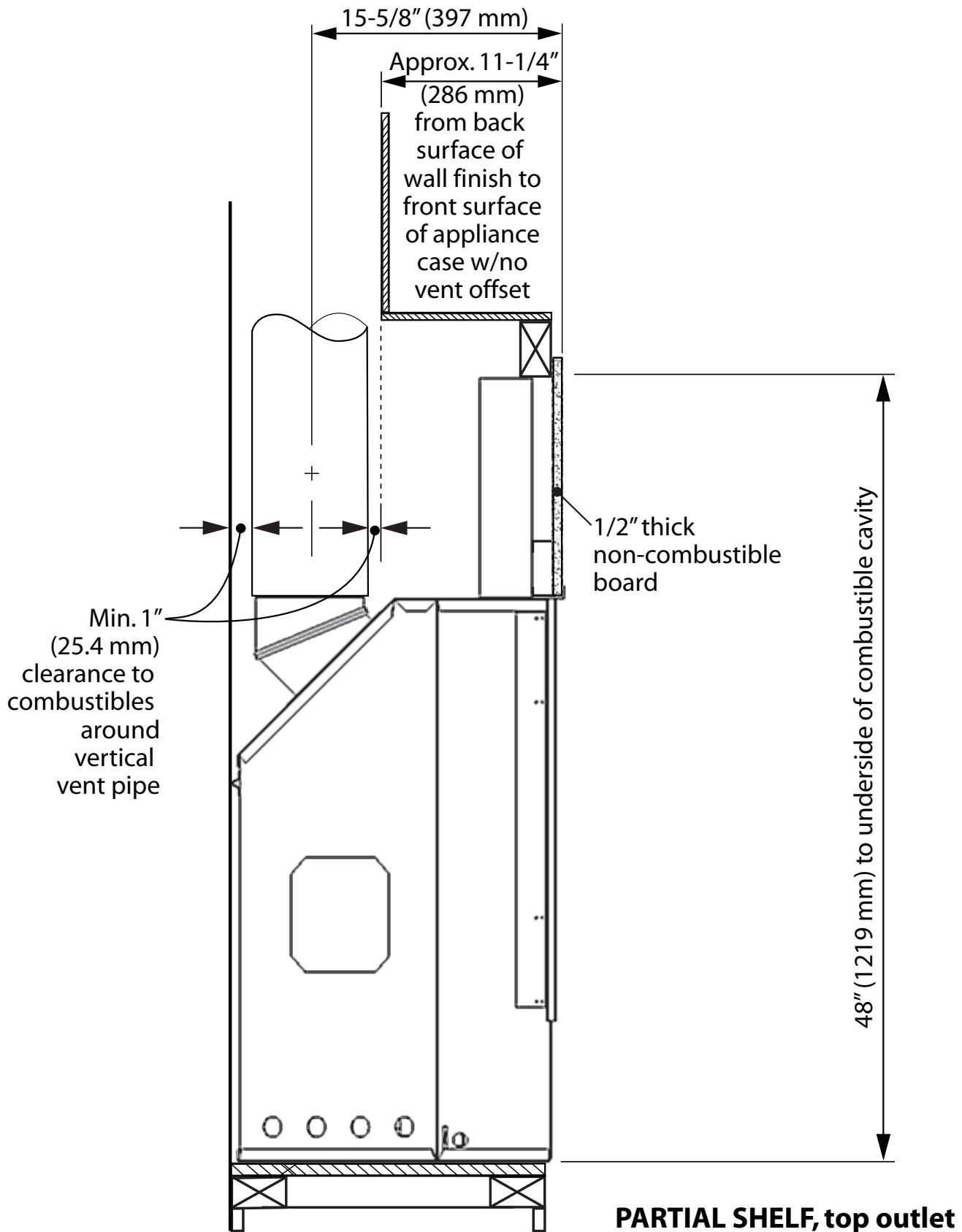
Minimum coverage area of non-combustible board.
Any wall finish applied to shaded area must be non-combustible. We recommend extending the non-combustible board well beyond the size shown to avoid cracking due to differential shrinkage —see page 41.

Non-combustible board required thickness:
1/2 inch (13 mm)



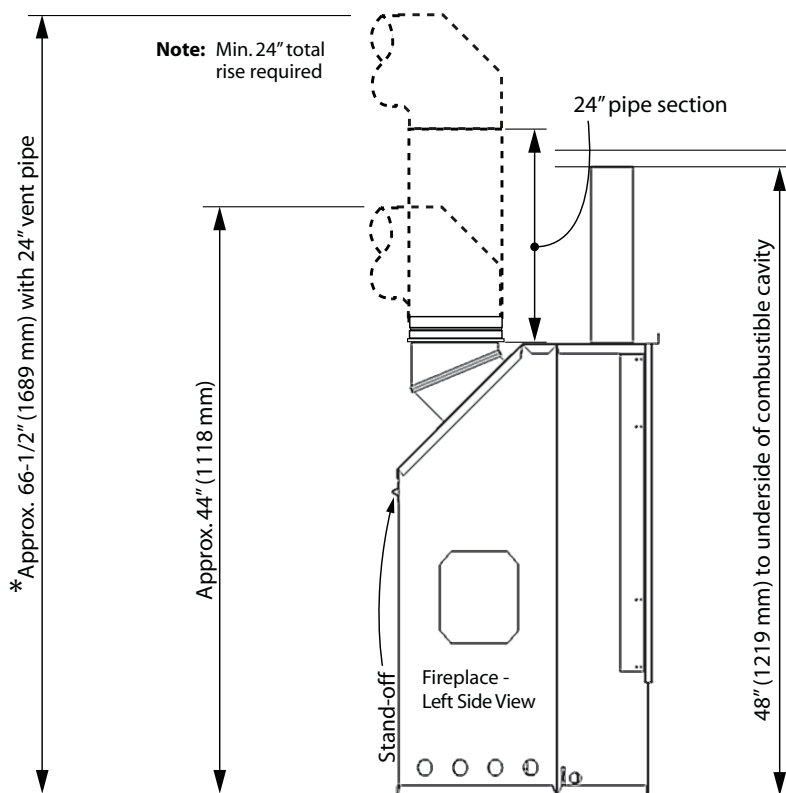
Framing Requirements

Framing with Partial Shelf—Top Outlet



Framing Requirements

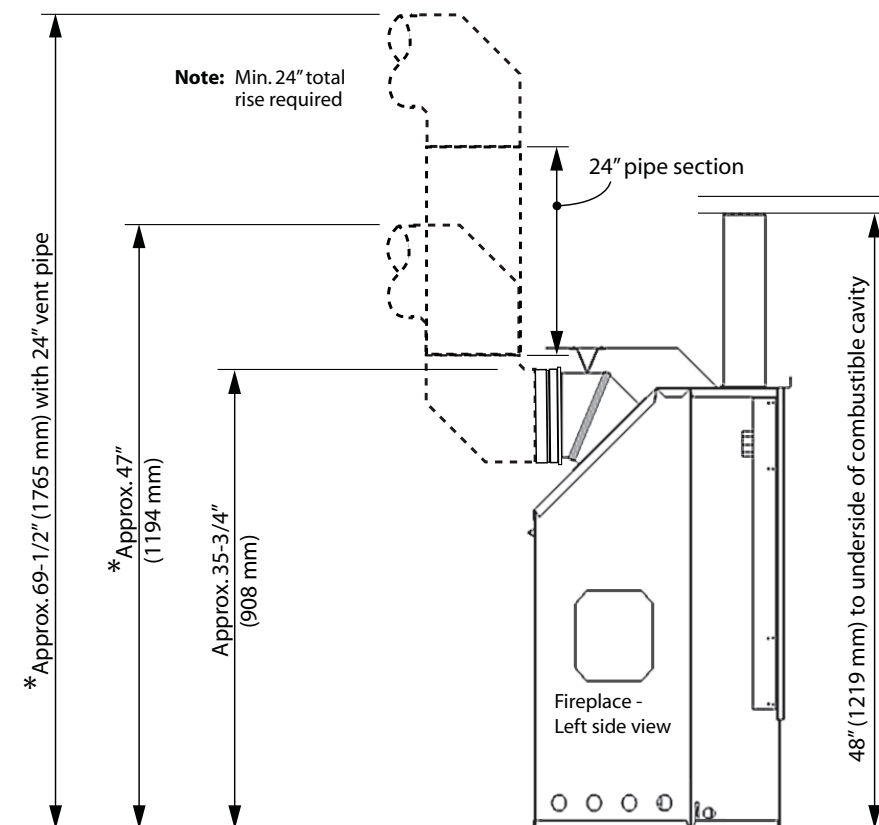
Venting Considerations—Vertical Takeoff



*Notes—ALL venting considerations

- Dimensions of venting are based on using Dura-Vent elbows. Elbow curve radius dimensions will vary when using other brands. In general, other brands have slightly bigger radius.
- 3 inches clearance to combustibles required above horizontal pipe. Slope horizontal pipe upwards 1/4 inch per foot. 1 inch clearance required around sides and bottom of horizontal pipe and around vertical pipe.
- When calculating effective pipe lengths subtract approximately 1-1/2 inch for pipe joint - for example, a 12 inches pipe section will add approximately 10-1/2 inches overall.

Venting Considerations—Horizontal Takeoff



Venting

Top or Rear Outlet

This unit is supplied with a 45 degrees top vent outlet which can be field-converted to a rear vent outlet. See *Installation* section for more information.

Vent Material

This unit is approved for installation using 4 x 6-5/8 inches co-axial direct vent pipe and accessories as listed in the *Approved Venting Components* section on pages 66–67 of this manual. Follow the installation instructions supplied with the individual venting accessories.

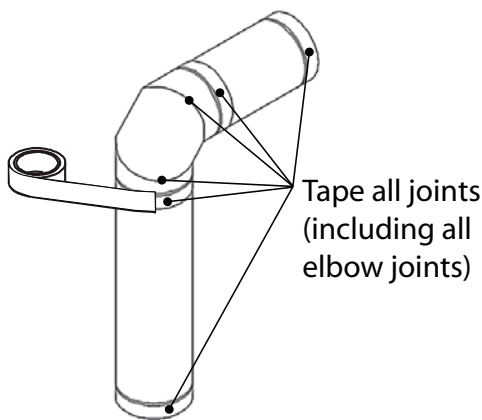
This unit may also be converted to co-linear (3 x 4 in) venting for use in solid-fuel burning fireplaces and chimneys using adapters and accessories—see list in the *Approved Venting Components* section on pages 66–67 of this manual.

Vent Sealing

Seal all outer coaxial pipe and elbow joints, including sectioned elbow joints, using high quality, high temperature 2 inch wide self-adhesive aluminum foil tape (Nashua-322-2 brand or similar). Wrap the tape completely around all joints and press firmly to seal.

A high temperature silicone sealant may be used in the outer joints as a substitute to foil tape.

Ensure all the pipe joints have a minimum of 1 ¼ inch overlap.

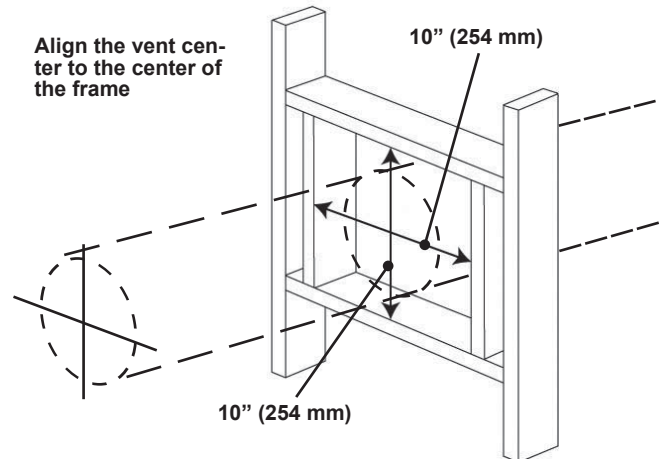


Wall Thickness

The appliance vent is suitable for penetrating a combustible wall assembly up to 8 inches in thickness. A non-combustible wall can be of any thickness up to the maximum horizontal run of vent pipe allowed for the particular installation.

Framing Vent in Combustible Walls & Ceilings

When penetrating through combustible walls and ceilings, frame a minimum of 10 in x 10 in opening and ensure that the insulation is kept clear of the vent pipe using either a wall thimble or an attic insulation shield. Follow the installation instructions supplied with the individual venting components.



Important Installer Notice – Weather Sealing & Vapor Barriers

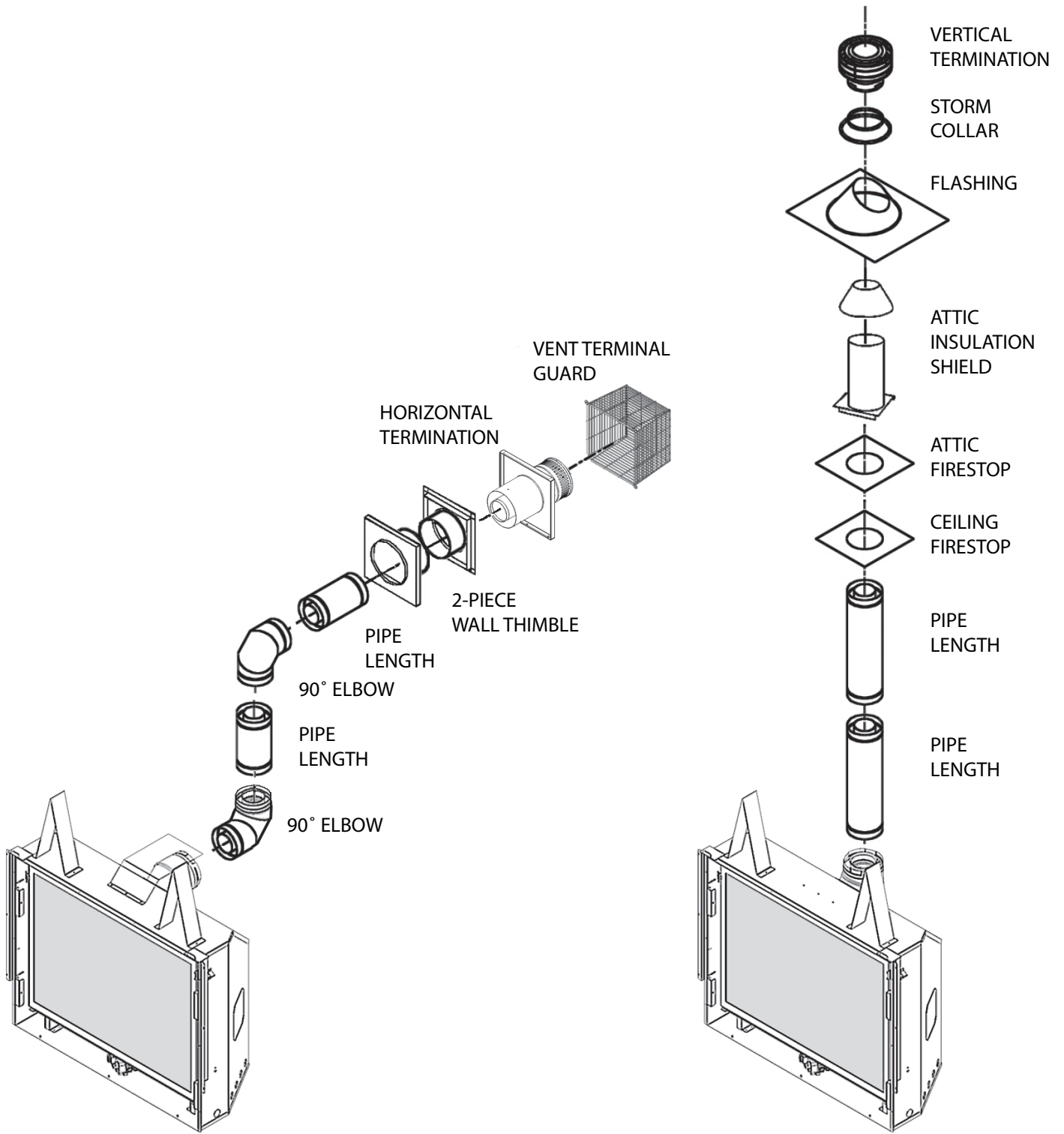
It is the installer's responsibility to ensure that vent installations through exterior walls are caulked and weatherproofed in such a manner as to:

- Prevent rain water from entering the wall from the weather side by adequately caulking the outer vent plate to the exterior wall surface.
- Prevent moisture inside the home from penetrating into the wall structure by ensuring the inside wall plate is adequately sealed to the inside vapor barrier.
- Prevent rain water and moisture from entering the walls by sealing the joints between the outer vent tube and the inner and outer wall plates.

We recommend the use of a high quality polyurethane sealant.

All horizontal pipe runs must be graded 1/4 inch per foot upwards in the direction of the exhaust flow. The final pipe length, when terminating through the wall may be graded downwards slightly to prevent water migration.

Typical Co-axial Venting Components



Rear Outlet

Top Outlet

Co-axial Venting

How to Read the Venting Chart

The chart below applies to co-axial roof or wall termination.

1. A minimum vertical rise of 24 inches is required in the vent system.
2. The total length of the vent pipe cannot exceed 40 feet.
3. The minimum vertical height with roof termination is 6 feet.
4. Any combination of rise and run can be used as long as they are within the allowable limits shown on the chart below.
5. A maximum of 4 x 90 degrees elbows—or equivalent (2 x 45 degrees = 90 degrees)—can

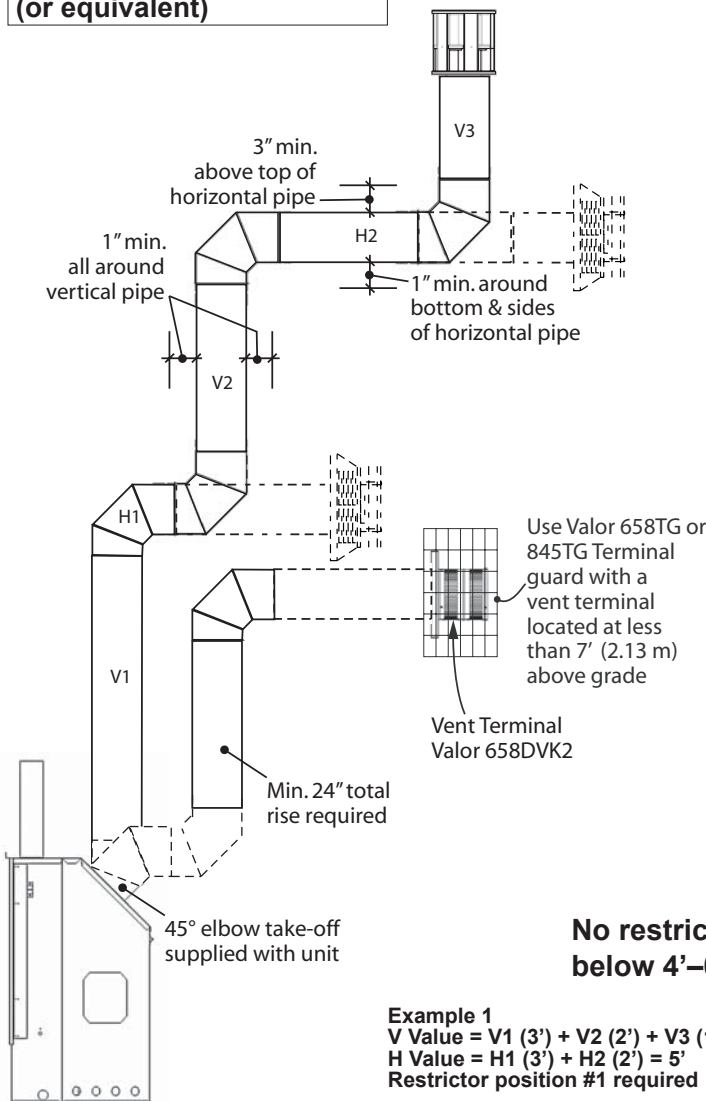
be used. Excludes the 45 degrees take-off elbow shipped with the appliance.

6. Each 90 degrees elbow installed on the horizontal plane is equivalent to a 3 feet horizontal pipe; therefore, 3 feet must be subtracted from allowable horizontal run. (45 degrees elbow is equivalent to 18 inches horizontal pipe.)
7. All horizontal pipe runs must be graded 1/4 inch per foot upwards in the direction of the exhaust flow. The final pipe length, when terminating through the wall may be graded downwards slightly to prevent water migration.
8. A restrictor adjustment is required for most installations having a vertical rise—see next section.

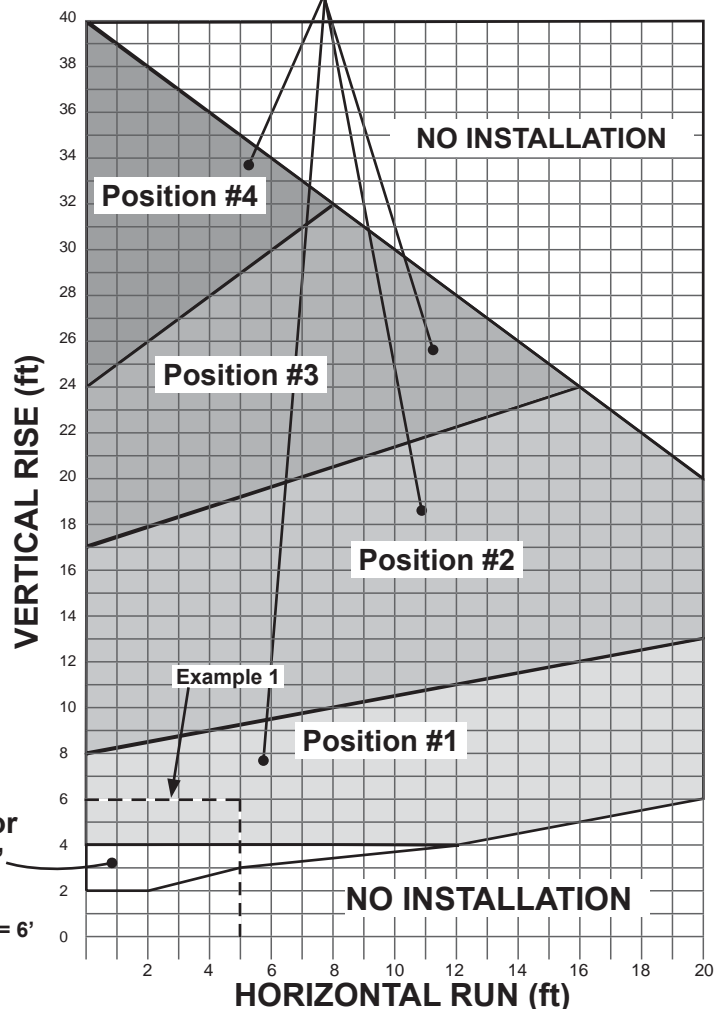
Note: The restrictors are shipped loose with the appliance.

Venting Chart

**4 x 90° ELBOWS MAXIMUM
(or equivalent)**



Allowable Co-Axial Vent Configurations with restrictor positions



Co-axial Venting

Restrictors

The restrictors are not required when less than 4'-0" vertical rise in vent system.

Install the restrictors in the roof of the firebox behind the top liner panel. Adjust the restrictors before installation of the top liner panel. Should subsequent adjustment be required, you will need to remove the top liner panel—see page 53.

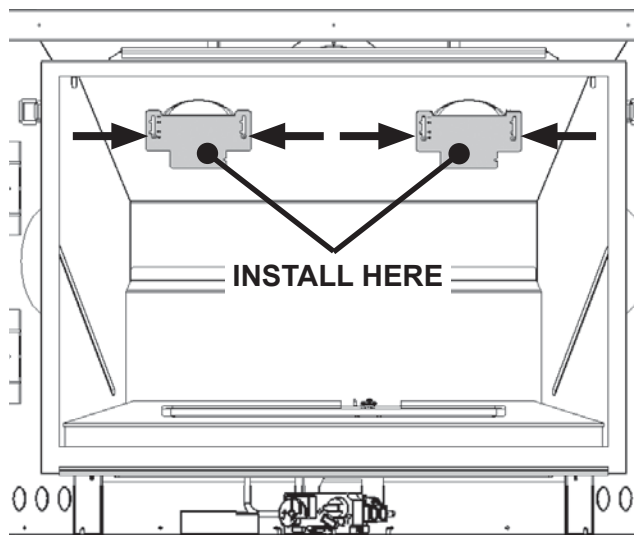
MOST INSTALLATIONS REQUIRE RESTRICTORS for improved flame picture and performance. This unit is supplied with restrictors having four different positions or settings. The level of restriction required depends on the vertical rise in the venting system and, to a lesser degree, the horizontal run and number of elbows.

The amount of restriction is based on laboratory tests. The ideal restrictor position may vary slightly, especially when the vent pipe length is near the limits of the acceptable configurations for each type of restrictor.

The chart on the previous page shows the vent restrictor positions required relative to the length of the vent pipe.

To set the restrictors position:

1. Establish the required position of the restrictors looking up the venting table on the previous page.
2. Fasten the restrictors using the screws (2) already installed on each side of **the firebox roof ports**.
3. Slide the restrictors in the required position.
4. Tighten the screws.



Position #1



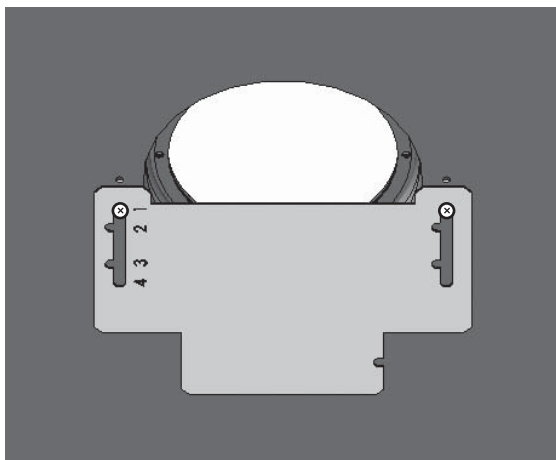
Position #2



Position #3



Position #4



Detail—Position #1

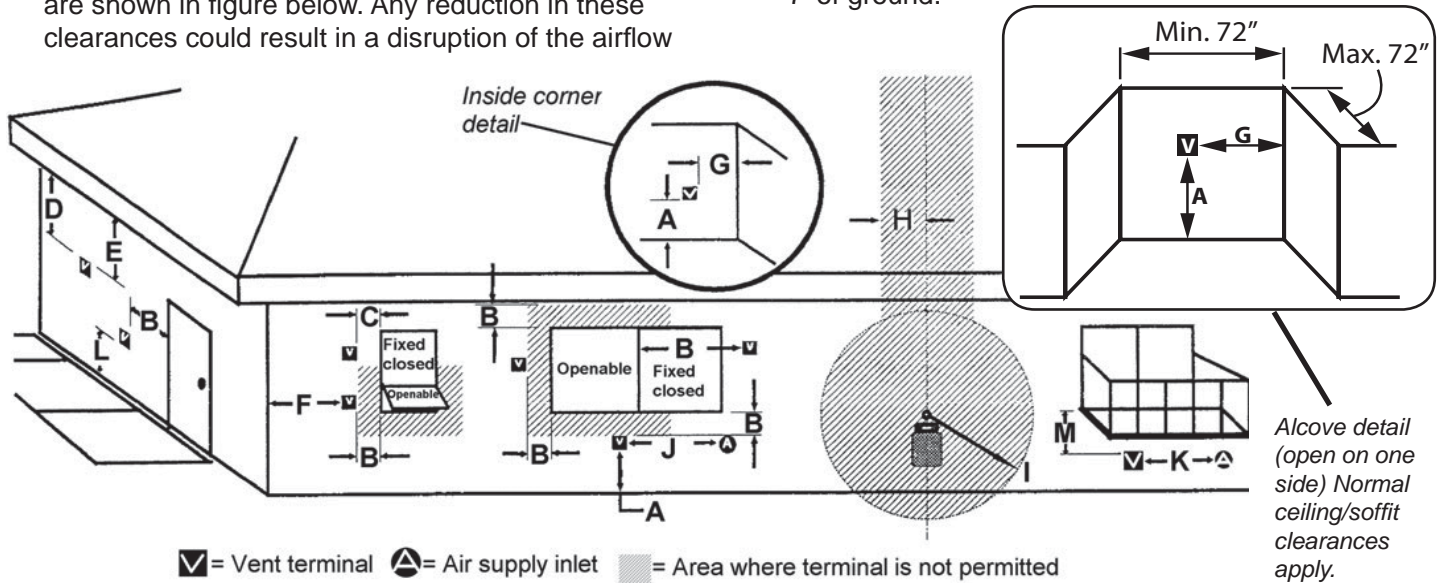
Co-axial Venting

Horizontal Vent Termination Location

- The vent terminal must be located on an outside wall or through the roof.
- This direct vent appliance is designed to operate when an undisturbed airflow hits the outside vent terminal from any direction.
- The minimum clearances from this terminal that must be maintained when located on an outside wall are shown in figure below. Any reduction in these clearances could result in a disruption of the airflow

or a safety hazard. Local codes or regulations may require greater clearances.

- The vent terminal must not be recessed into a wall or siding.
- The vent terminal should be positioned where any snowdrifts will not cover it.
- Sidewall vent terminations require a terminal guard such as 658TG or 845TG when accessible—within 7' of ground.

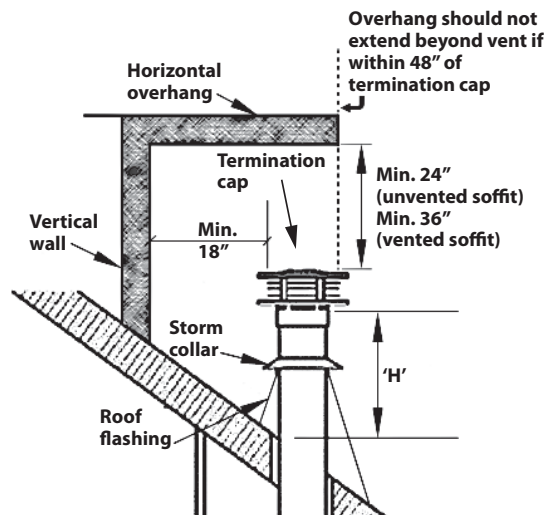


KEY	VENT TERMINAL LOCATIONS - MINIMUM DISTANCES	MINIMUM CLEARANCE	
		Inches	Cm
A	Clearance above grade, verandah, porch, deck or balcony	12	30
B	Clearance to window or door that may be opened	12	30
C	Clearance to permanently closed window (recommended to prevent condensation on window)	12	30
D	Vertical clearance to ventilated soffit located above the terminal within a horizontal distance of 2 feet (60 cm) from the center-line of the terminal	18	46
E	Clearance to unventilated soffit	12	30
F	Clearance to outside corner	12	30
G	Clearance to inside corner	12	30
H	Horizontal clearance to center-line of meter/regulator assembly located within 15 feet (4.6 m) below the terminal	36	90
I	Clearance to service regulator vent outlet	36	90
J	Clearance to non-mechanical air supply inlet to the building or the combustion air inlet to any other appliance	12	30
K	Clearance to a mechanical air supply inlet	72	180
L	Clearance above paved sidewalk or a paved driveway located on public property Note: A vent must not terminate directly above a sidewalk or paved driveway, which is located between two single-family dwellings and serves both dwellings. THIS DOES NOT APPLY to direct vent, non-condensing appliances in the Province of Ontario.	84	210
M	Clearance under a verandah, porch, deck or balcony <i>Only permitted if veranda, porch, deck or balcony is fully open on a minimum of 2 sides beneath the floor</i>	12	30

Note: Local codes and regulations may require different clearances.

Vertical Vent Termination

Roof Pitch	Minimum "H" (feet)
Flat to 7/12	1'
Over 7/12 to 8/12	1.5'
Over 8/12 to 9/12	2'
Over 9/12 to 10/12	2.5'
Over 10/12 to 11/12	3.25'
Over 11/12 to 12/12	4'
Over 12/12 to 14/12	5'



Co-linear Venting

Conversion to Co-Linear Liners using Valor 1156CLA Co-Linear Adapter

Co-linear portion of vent system may only be installed within a solid-fuel burning fireplace and chimney.

The appliance must not be connected to a chimney flue serving a separate solid-fuel burning appliance.

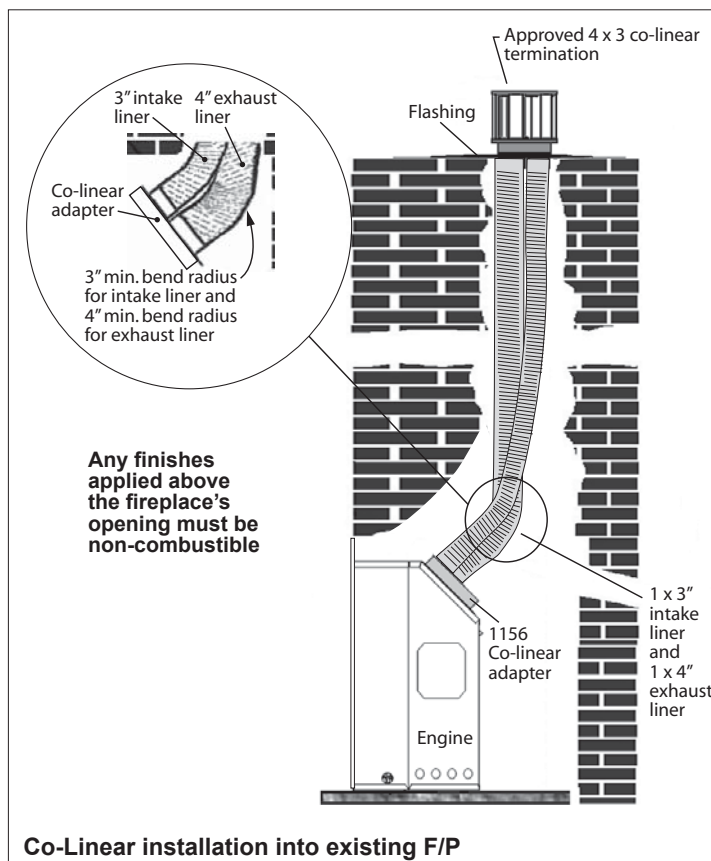
Requires the Valor Co-Axial to Co-Linear appliance Adapter 1156CLA, two lengths of 2-ply, one 3" and one 4" diameter flexible chimney liner approved for venting gas appliances, a co-linear termination kit and flashing or a co-linear to co-axial adapter and either a high wind vertical vent terminal cap or a low profile vertical termination.

Note: A 3" diameter exhaust liner may be used if conditions will not allow for the 4" exhaust liner. Cold start-up problems may be experienced however when using a 3" exhaust liner.

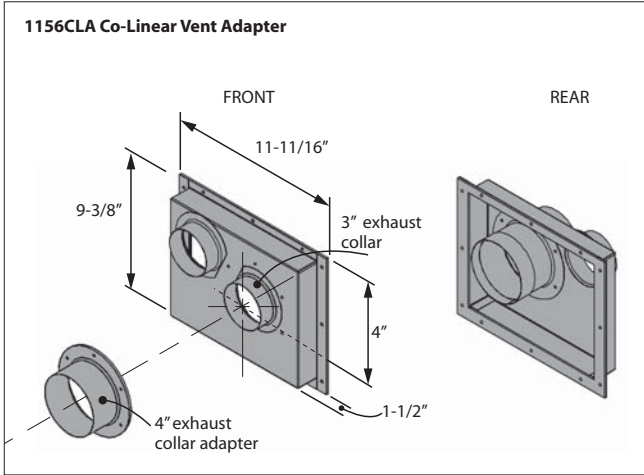
Firebox zero clearance standoffs supplied with the heater are not required for this application.

Rules for Co-Linear Venting

- Maximum 40 feet vertical pipe
- Minimum 10 feet vertical
- Maximum offset 8 feet with liners at minimum 45 degrees from horizontal plane
- Restrictor: Use #4 position for all co-linear installations—refer to page 35 for restrictor



Co-linear Venting

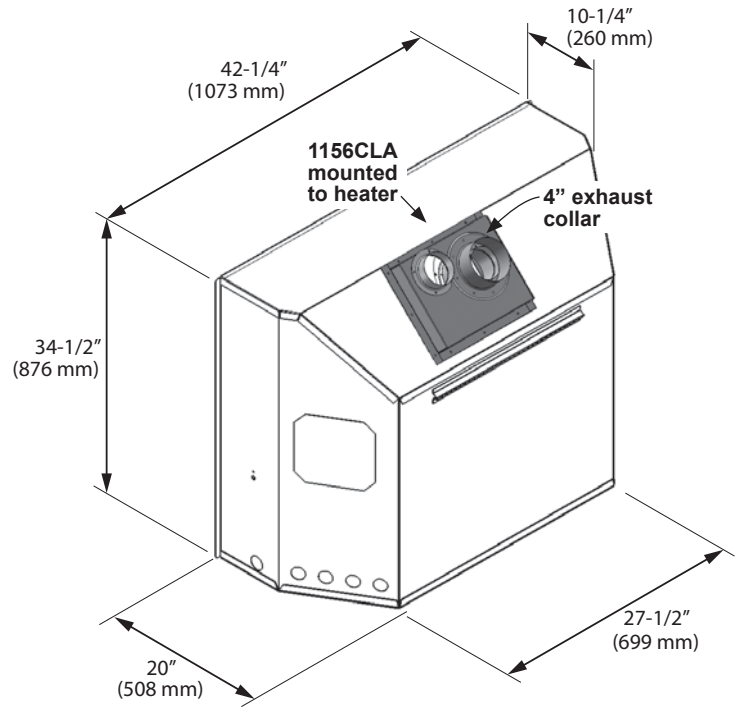


Dimensions with co-linear adapter

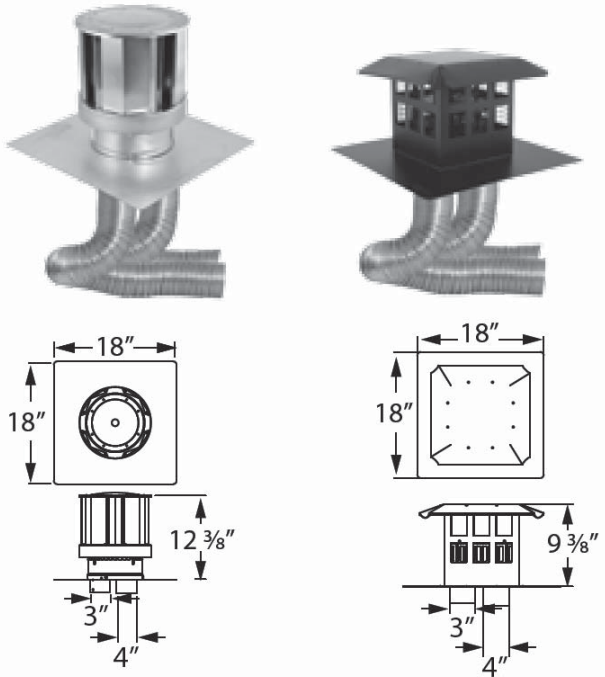
Dimensions shown are with Valor 1156 co-linear adapter.

Installation

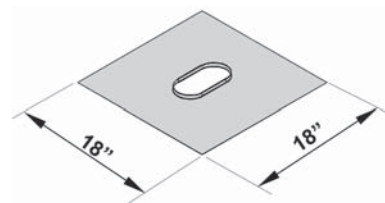
For installation of the adapter to the appliance, see the instructions supplied with the 1156CLA.



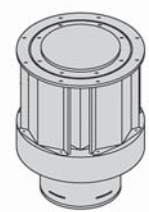
Example of co-linear terminal configurations



Co-linear terminal kits



Flashing Kit



Terminal Cap

Installation Planning

Installer—READ THIS FIRST

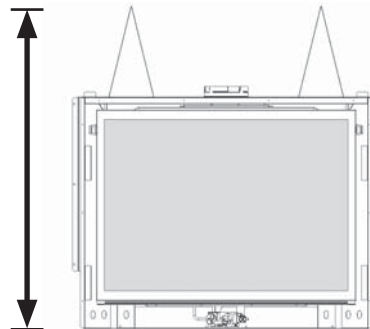
Only qualified licensed or trained personnel should install this appliance.

BEFORE YOU START—YOU NEED TO KNOW FROM THE HOMEOWNER:

- The height of the unit and hearth if used;
- The thickness and type of the wall finish around the firebox opening;
- What accessories (trim, fan, etc.) will be installed with this fireplace;
- The venting configuration.

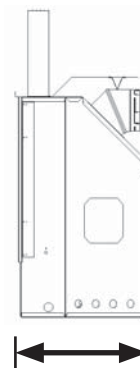
1. Unpack the appliance, removing all items packed inside and around the appliance.
2. Check that you have everything, using the Pack Content sheet. Also, check that you have:
 - a fuel bed (packed separately)
 - a set of liners (packed separately)
3. Finish the framing.
4. Fit the appliance into framing and fix it to the framing.
5. Remove the window of the appliance.
6. Install the venting system and tape vent pipe joints.
7. Position the restrictor.
8. Connect the electrical wiring for optional electric accessories if used.
9. Install the optional electric accessories if used.
10. Connect and test the gas supply.
11. Install the liners.
12. Install the fuel bed.
13. Refit the window and the hot glass safety plate if removed.
14. Initialize the remote control system.
15. Verify the operation and adjust aeration settings.
16. Install the remote control handset wall holder.
- 17. Instruct the homeowner on the operation and maintenance of the fireplace.**
18. Finish the wall around the fireplace.
19. Install the surround trim **and barrier screen.**

Appliance Height in Framing



Hearth considerations

- Only a non-combustible hearth can be installed in front of the appliance if within 4" of the bottom of the appliance.
- The top surface of the non-combustible hearth must be at the same level as appliance bottom panel when using certain trims and accessories—see page 49.
- The non-combustible hearth in front of the appliance, if within 4" of the bottom of the appliance, must include the 1/2" *Micore* insulation board provided to be used as thermal break between non-combustible and combustible material underneath.



Appliance Depth in Framing

- 1430 Fixed Framing Kit installs at framing stage and the appliance position is fixed in the framing. Wall finishes butt up to the frame of the 1430 Fixed Framing Kit.
- All other trims install after the wall finish is applied. The perimeter of the trims overlap the wall finish; therefore the thickness of any wall finish materials must be taken into consideration. The trims have enough adjustability to allow up to 3/4" thick material applied over top of the 1/2" thick non-combustible board. Otherwise the appliance position within the framing must be adjusted to allow the additional thickness—see pages 48-49.

Installation Planning

Plan Wall Finish

Non-combustible cement board

The H6 fireplace requires a 1/2" (13 mm) thick non-combustible cement board or equivalent, to be used as a wall surface immediately above the unit—see diagram for minimum coverage.

Extending the cement board well beyond the minimum shown will help avoid cracking due to differential expansion of materials. Pre-drill cement board with oversized holes and do not over-tighten screws to avoid cracking due to heat expansion.

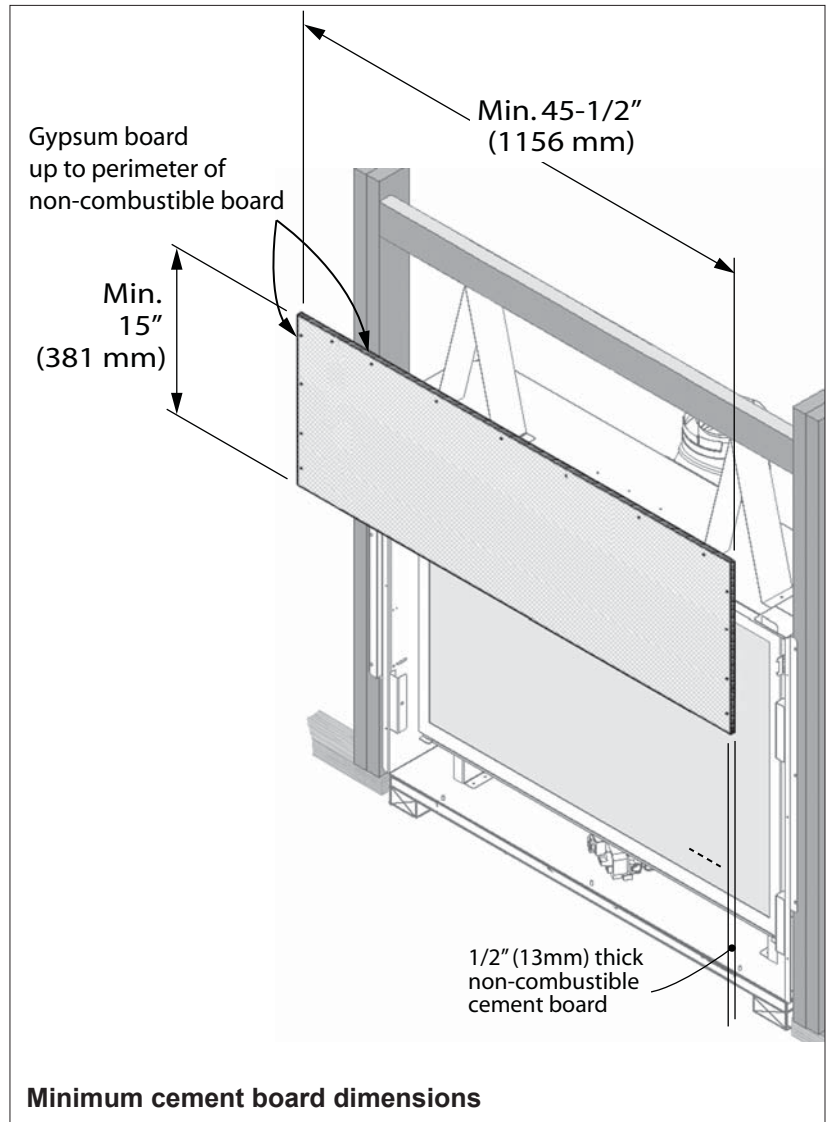
Standard gypsum wall board may be used beyond the perimeter of the cement board although it is preferable not to change materials to help avoid cracking.

Non-combustible finishing over cement board

Additional non-combustible material such as tile, etc., may be applied over top of the cement board or you may choose to leave it finished clean with no tile, etc.—see page 41.

Be aware that a surround is always required and that the wall finish thickness must be taken into account for all installations other than the Fixed Framing Kit 1430.

All the other surrounds, 1435 and 1440, will accept wall finish tucked under their edge up to approximately 2" thick.



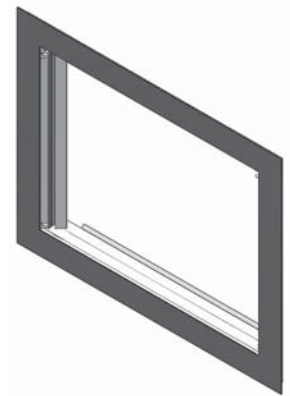
1430FFK Fixed Framing Kit

- Installs at framing stage
- Wall finish butts up to the frame
- Does not accept other optional surrounds



1435TSB 3-sided Surround and 1440FSB 4-sided Surround

- Install **after** wall finish applied
- Surround overlaps wall finish



Installation Planning

Cracking Wall Finishes

If a clean finish with no tile, etc. is desired, joints in the non-combustible board and the transition to gypsum board will require special attention if future cracking is to be controlled.

Shrinkage and differential movement of the framing and non-combustible wall board can transmit cracking through to tiles, etc.

Be aware that temperatures on the non-combustible wall surface above the appliance can exceed 200°F.

Below are some tips on how to best avoid any cracking:

- Allow materials to dry thoroughly before finishing the wall. Cement board has the ability to absorb up to 30 percent of its weight in water and may shrink as much as 1/8" over a 48" length when drying from a saturated condition. Running the fireplace for an extended period before final finishing will help drive out moisture.
- Always pre-drill screw holes through cement board and use screws with self-milling head.
- Always use mesh tape over joints.
- Always stagger joints in wall board.
- Behind joints, double up studs or use studs "on the flat" to add extra support to the joint. Adhesive on the backside of wall board behind any joints can help control differential movement.
- Use multiple, thinner coats of joint compound and allow to dry thoroughly between coats.
- Ensure framing materials are dry.
- After finishing the wall, introduce heat gradually to slowly dry any excess moisture rather than drying too fast.
- Avoid notching cement board or tiles around corners of window opening and instead provide a joint that intersects the corner.

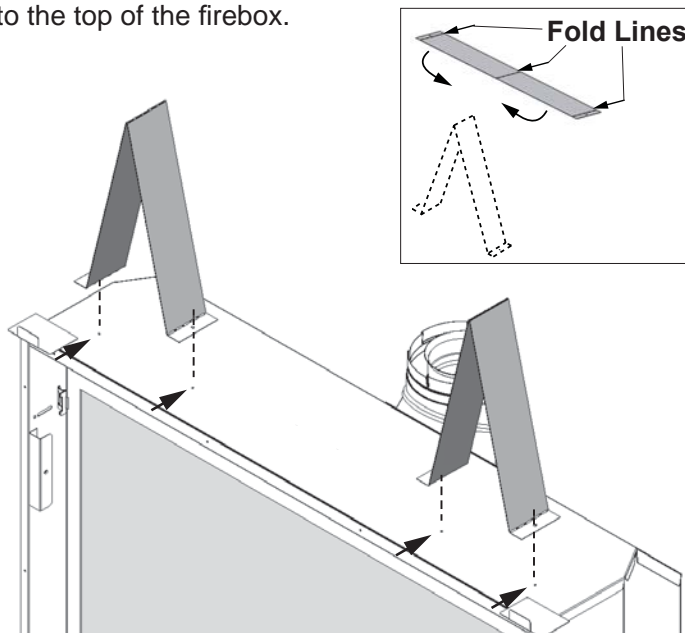
Unpack Appliance

Beware of sharp edges! Wear gloves!

1. Remove the cardboard wrapping and the wood pallet from the appliance and discard.
2. Unpack any loose items from around the appliance.
3. **Verify that you have all the components required for the installation, including:**
 - *approved non combustible cement board;*
 - *liners and fuel bed (in separate cartons);*
 - *surround kit with barrier screen;*
 - *venting components and accessories;*
 - *electrical components if installing optional blower.*

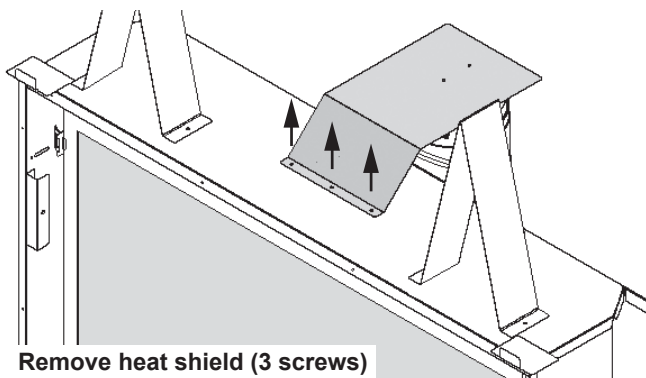
Fit Standoffs

The standoffs are supplied flat on the firebox and fixed at one end. Bend them as shown and fix the loose end to the top of the firebox.



Remove Heat Shield

Remove the heat shield from the top of the appliance case (3 screws).



Remove heat shield (3 screws)

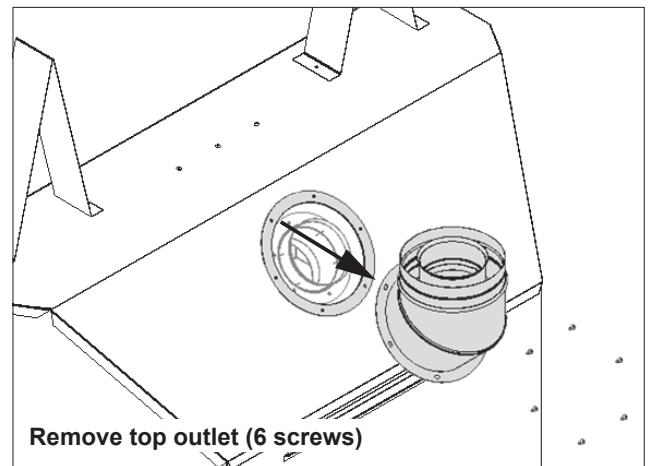
If using the top outlet, discard the shield. If using a rear outlet, keep the shield to reinstall after converting the top to rear outlet—see next subsection.

Convert from Top to Rear Outlet (if required)

This unit is supplied with a top vent outlet which can be field-converted to a rear vent outlet.

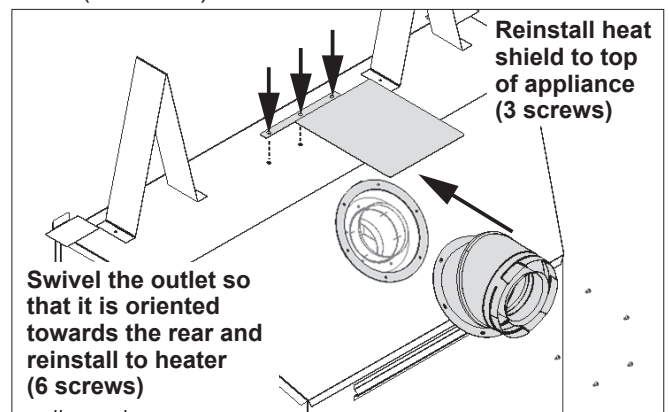
Please note that the rear outlet requires the installation of the heat shield on top of the heater case as indicated.

1. Remove the top outlet collar (6 screws).



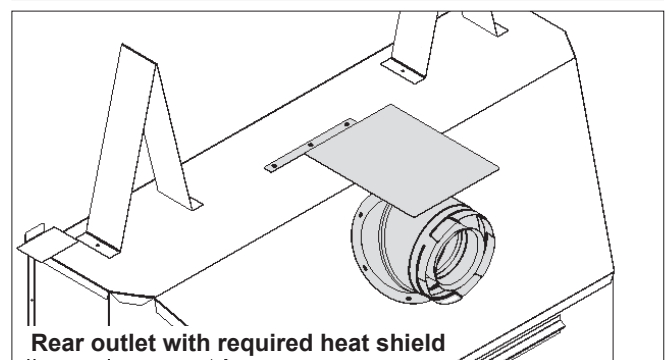
Remove top outlet (6 screws)

2. Swivel the collar and install as a rear outlet (6 screws).
3. Reinstall the heat shield to the top of the appliance case (3 screws).



Swivel the outlet so that it is oriented towards the rear and reinstall to heater (6 screws)

Reinstall heat shield to top of appliance (3 screws)



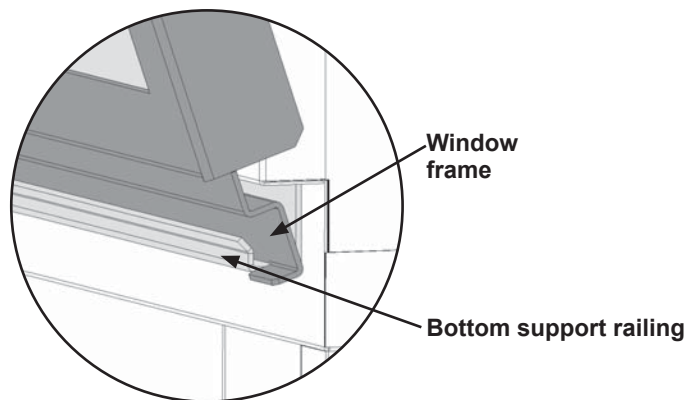
Rear outlet with required heat shield

Installation

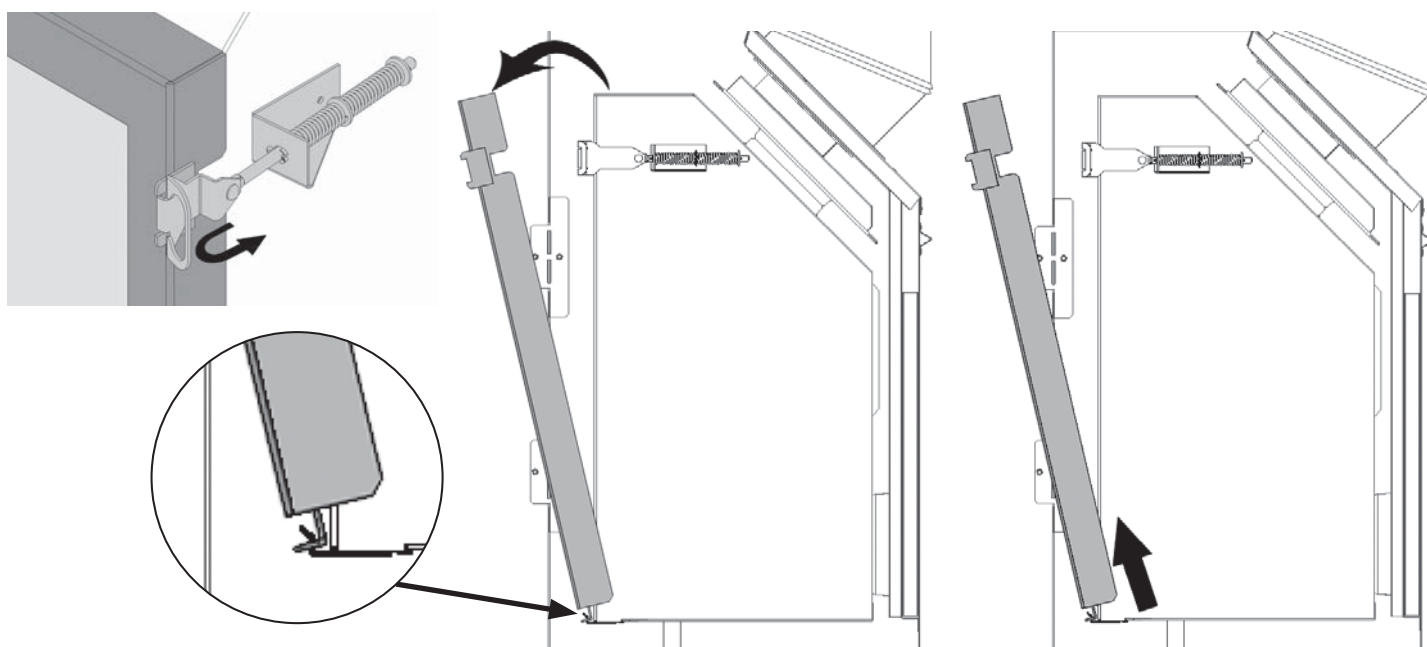
Remove Window

The window is held in place by a spring-loaded lever on each side.

1. To remove the window, locate the levers on each side of the window towards the top. Using your finger, pull the lever towards you and unhook it from the window frame bracket.
2. Gently pull the top of the window outward.
3. Lift the window out of its bottom support railing and set it aside in a safe place to avoid damage.



Section Views



Installation

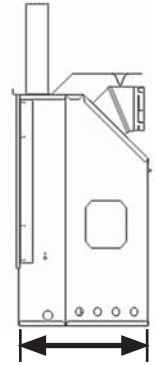
Install Appliance for 1430 Fixed Framing Kit

Appliance Depth in Framing—with 1430 Fixed Framing Kit

- The 1430 installs to the appliance during the framing stage and the appliance's position is fixed in the framing. Wall finishes are then applied over top of the flanges and butted up to the frame of the 1430.

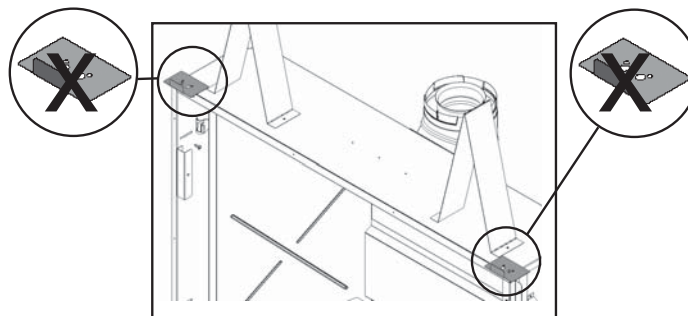


1430FFK Fixed Framing Kit



1430 Fixed Framing Kit, fixed position

- **side brackets** supplied with appliance **not required**
- appliance **positioning brackets** supplied on appliance **not required**



Installation

Install Appliance with 1430 Fixed Framing Kit

Part of the 1430 Fixed Framing Kit installs at the time of framing the appliance.

The side brackets provided loose with the appliance are not needed with this kit.

The 1430 Fixed Framing Kit is not compatible with any other trim or door kits.

Hearth considerations

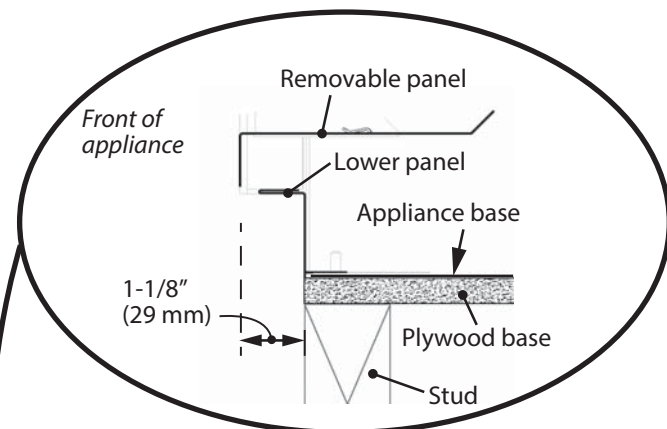
You need to know whether there will be a hearth or not in front of the appliance and some rules must be considered:

Without hearth (up the wall)

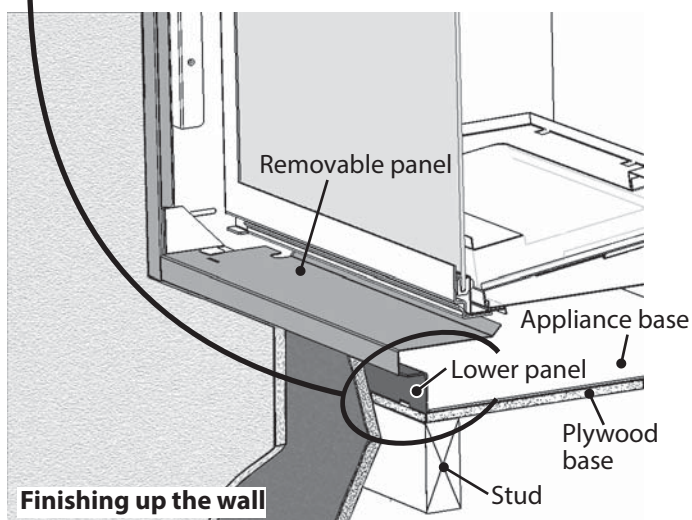
In the case where there is no hearth, the bottom of the appliance must be raised at least 4" inches above any combustible floor in front.

With hearth

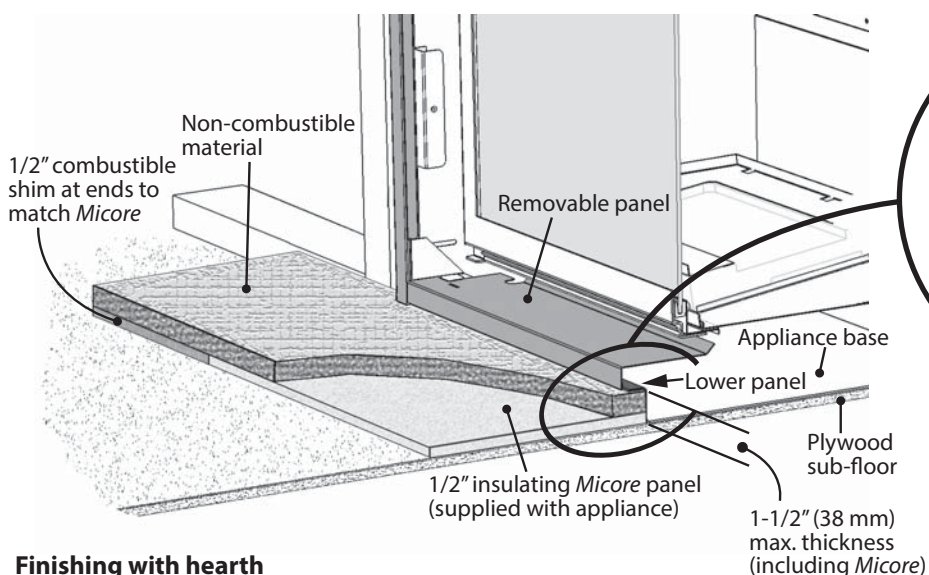
- Only a non-combustible hearth can be installed in front of the appliance if within 4" vertically of the bottom of the appliance. See *Hearth Requirements* section of this manual.
- The non-combustible hearth in front of the appliance, if within 4" of the bottom of the appliance, must include the 1/2" *Micore* insulation board provided to be used as thermal break between non-combustible and combustible material underneath.



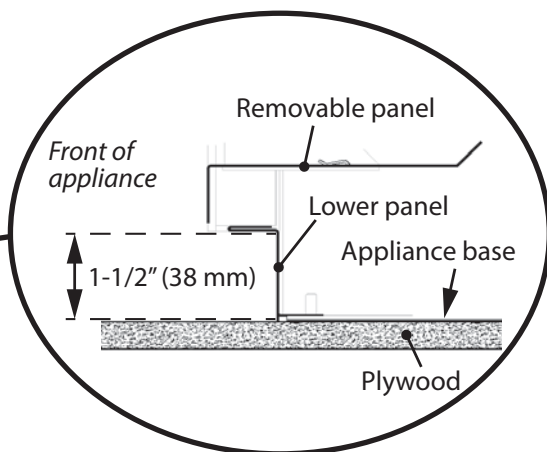
Section view, up the wall—detail



Finishing up the wall



Finishing with hearth

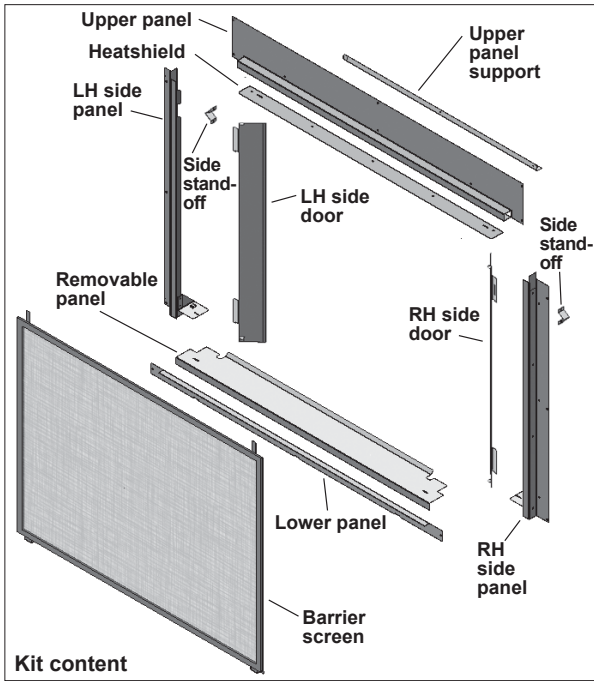


Section view, hearth—detail

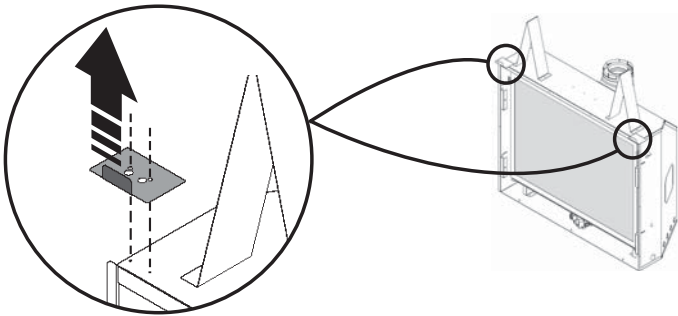
Installation

Installation

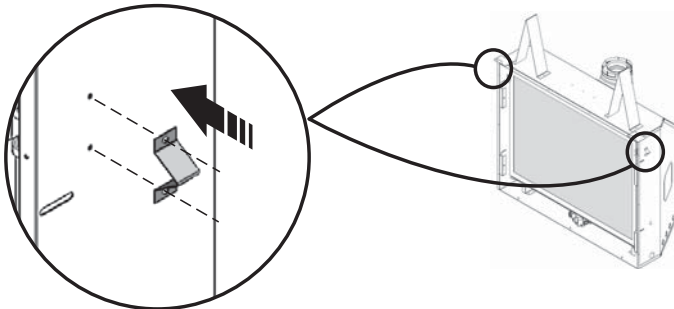
1. Unpack the 1430 kit checking that you have all the pieces on hand.



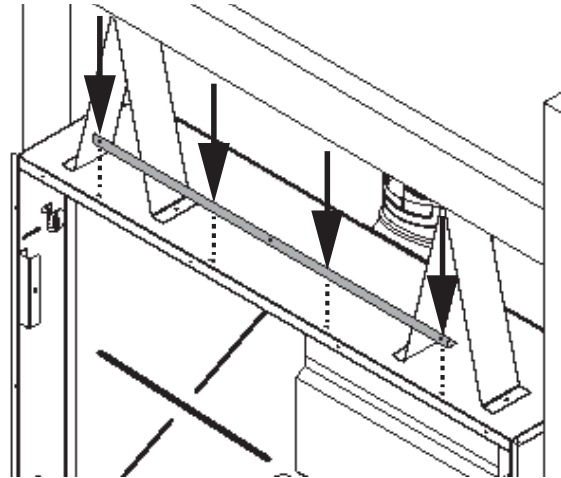
2. On the top of the appliance's case in front of the stand-offs, remove the positioning brackets (2 screws each); they are not used with this kit.



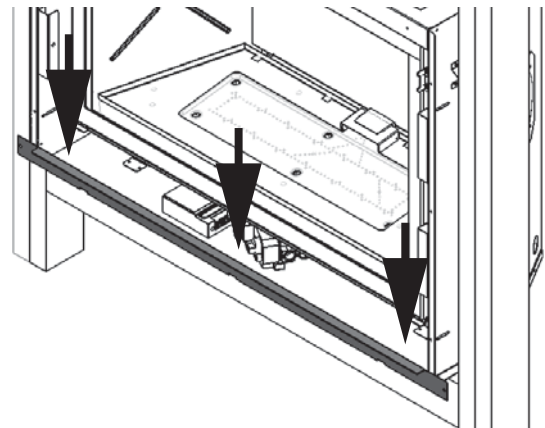
3. On the sides of the appliance case, install the side stand-offs (2 screws each).



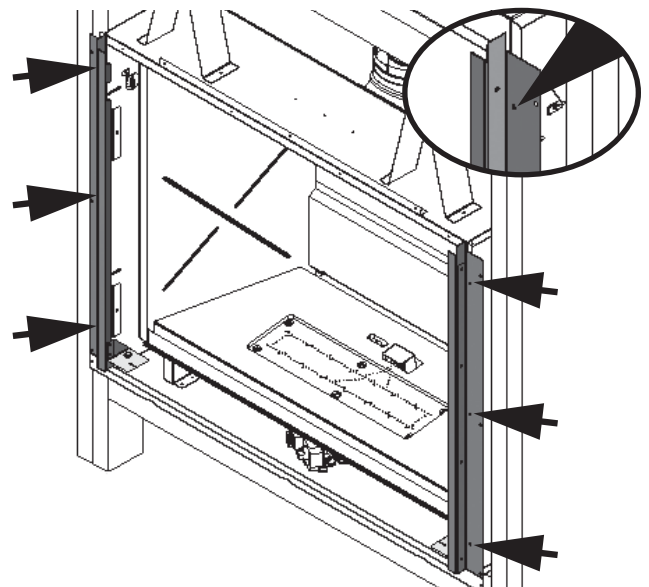
4. Fit the upper panel support to the top of the appliance's case as indicated (5 screws).



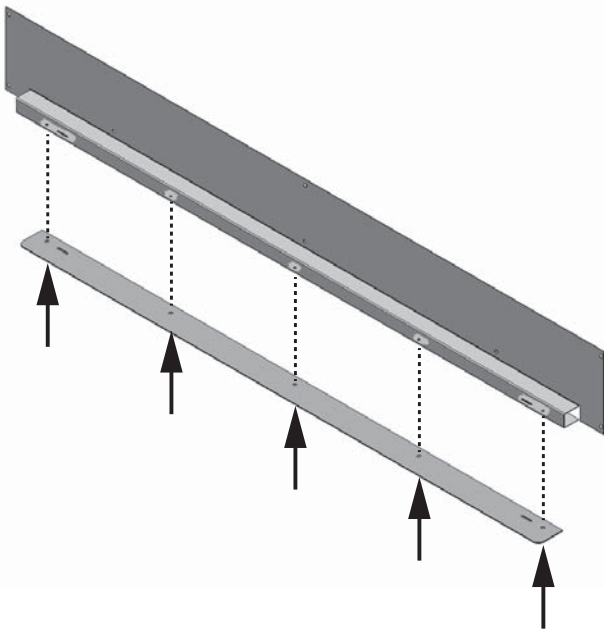
5. At the bottom of the appliance case, install the lower panel provided with the kit, as indicated (3 nuts).



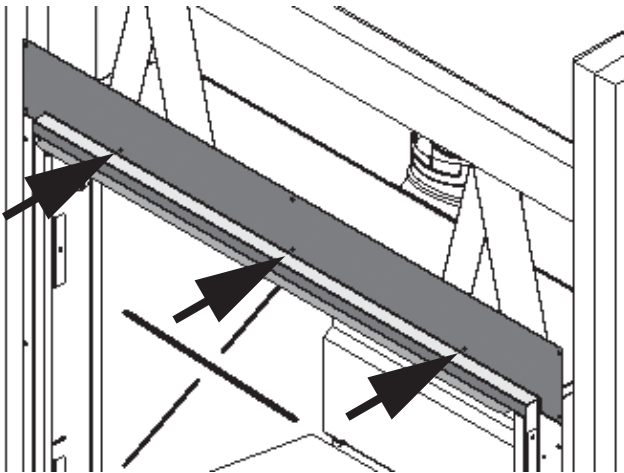
6. On the appliance, install the side panels as indicated (3 screws per side).



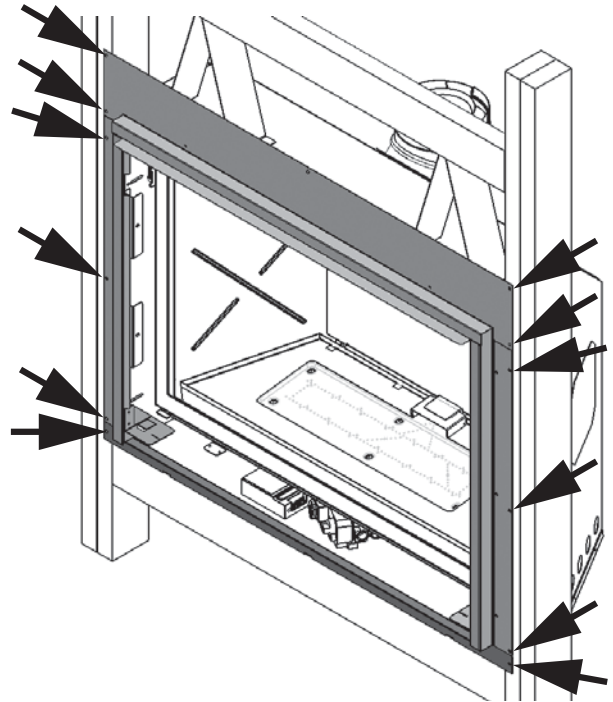
7. Assemble the heatshield to the upper panel as indicated (5 screws).



8. Install the upper panel as indicated (3 screws).



9. Slide the appliance into the framing and fix it to the studs on each side (6 fixing points per side).

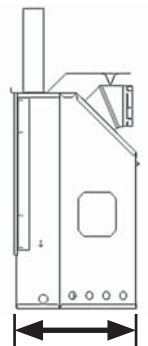
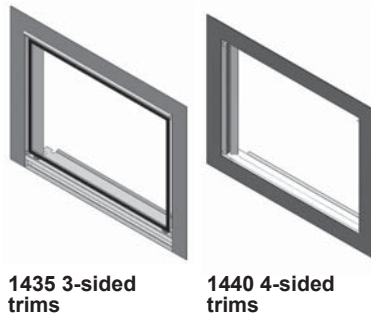


10. Set aside the side doors, removable panel and barrier screen to install later when the appliance's set-up and wall finish application are completed.
11. Continue the installation of the heater as indicated in this manual.

Install Appliance for 3 and 4-Sided Surrounds

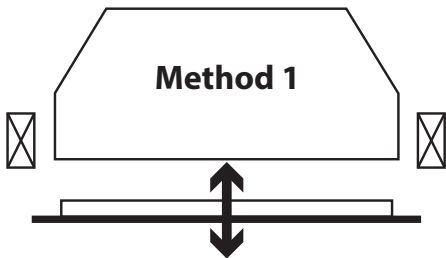
Appliance Depth in Framing—with 3 and 4-Sided Surrounds

- The 3 and 4-sided surrounds are adjustable to accommodate up to an additional 3/4" of tile or other over top of the 1/2" non-combustible wall board (Method 1).
- The appliance's position within the framing cavity may also be adjusted for depth in the framing to accommodate additional wall finish thickness "tucked" behind the surround (Method 2).

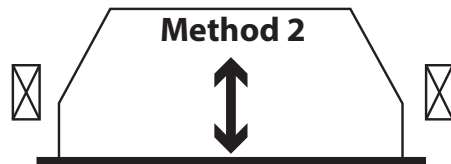


3 and 4-Sided Surrounds adjustable position

Installation Method 1



Installation Method 2

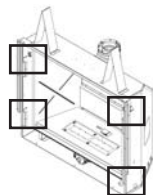
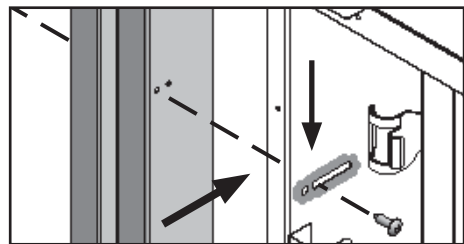
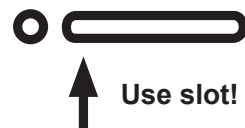
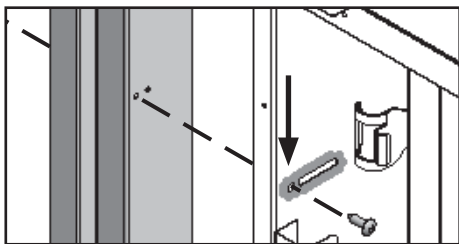


- wall finish thickness: **up to 3/4" + 1/2"** non-combustible board
- surround's depth on appliance can be adjusted to accommodate wall finish thickness

- wall finish thickness: **more than 3/4" + 1/2"** non-combustible board
- appliance's depth can be adjusted in the framing to accommodate additional wall finish thickness of up to approximately 2"

- side brackets fixing position

- side brackets fixing position



Installation

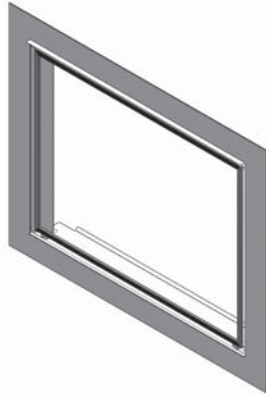
Install Appliance for 3 or 4-Sided Surrounds

The 3-sided surround 1435 and 4-sided surround 1440 are fitted to the appliance once it's installation and the wall finish application have been completed.

The side brackets provided loose with the appliance are required for those surrounds.



1435 3-sided trims



1440 4-sided trims

Hearth considerations

You need to know whether there will be a hearth or not in front of the appliance and some rules must be considered:

Without hearth

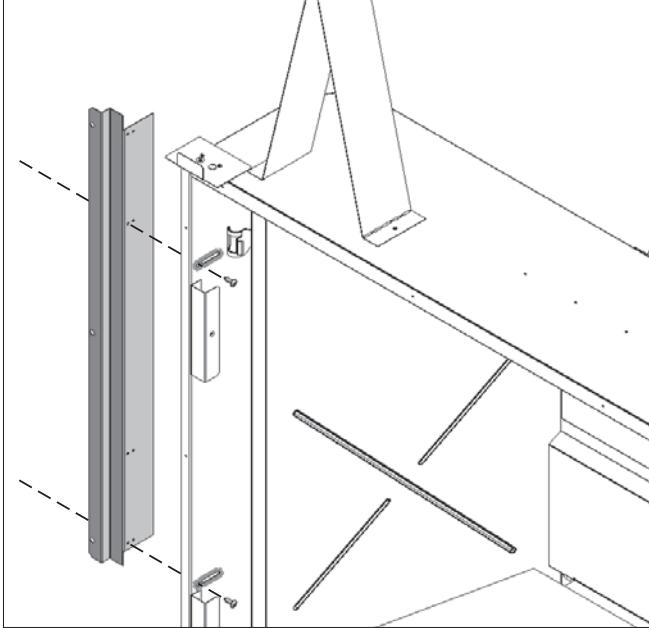
In the case where there is no hearth, the bottom of the appliance must be raised at least 4" inches (102 mm) above any combustible floor in front.

With hearth

- The bottom of the appliance must be installed level with the top of the hearth surface in most cases other than with the 4-sided surround which hangs below the bottom of the appliance.
- Only a non-combustible hearth can be installed in front of the appliance if within 4" vertically of the bottom of the appliance.
- The non-combustible hearth in front of the appliance, if within 4" of the bottom of the appliance, must include the 1/2" *Micore* insulation board provided to be used as thermal break between non-combustible and combustible material underneath.

Fit Appliance to Framing

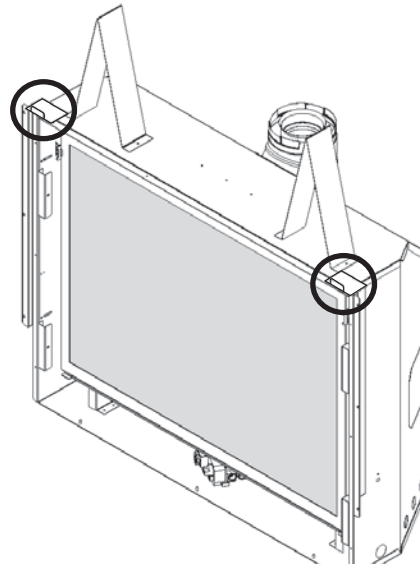
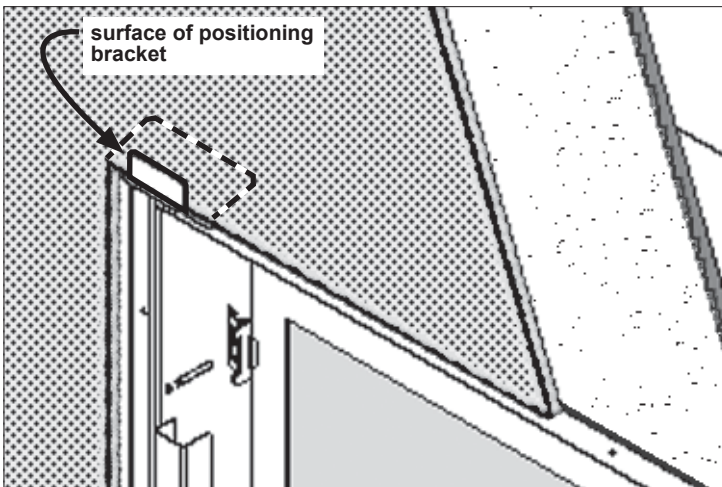
1. Install side brackets on each side of the appliance (2 screws per bracket). Use the hole or the slot according to the thickness of the wall finish—see page 47.



2. Taking great care not to cut your hands on the sheet metal edges, lift the appliance out of its packing base and place it in the framing. *Make sure that the unit is at the right height with consideration to the height of the hearth or combustible flooring.*

When setting the position of appliance within framing, the front surface of the positioning bracket indicated should always be flush with where you anticipate the finished wall surface to be. Adjust the position of the side brackets to suit.

If in doubt, allow for slightly less material thickness as the trims have additional 3/4" of adjustment.



Installation

Install Electrical Wiring (if necessary)

(for optional fan or power adapter kit)

This section provides information to install the electric pre-wiring required for use with the 1195CFK Circulating Fan Kit or GV60PAK Power Adapter Kit.

All wiring must be done by a qualified electrician in accordance with local codes or, in the absence of local codes, with the *National Electrical Code, ANSI/NFPA 70* or the *Canadian Electrical Code, CSA C22.1*.

Electrical Requirements

1195CFK—120 V, 60 Hz, less than 1 amp

General Requirements

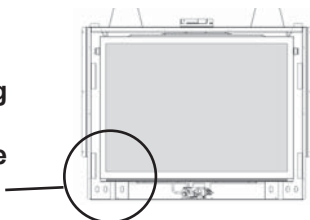
The optional 1195CFK kit includes a three-prong grounded plug to plug into a grounded receptacle, also included with the kit, to be installed within the fireplace enclosure by a qualified electrician.

Installation

Thread the power supply cable through the cable clamp (not provided) and through the hole in the lower left hand side of the fireplace casing. Do not tighten the clamp yet. There is a junction box and receptacle included as part of the 1195CFK fan kit. Refer to installation instructions packed with kit. A speed control is also packed with the kit.

If simply roughing in power at this point, ensure wiring is not live or terminate at this location in a temporary metal junction box using wire nuts to cap wires.

Electrical wiring through the left hand side of the appliance case



Installation

Connect Gas Supply

The gas supply inlet connection is a 3/8" NPT male connector located on the right hand side of the firebox.

The unit is supplied with a stainless steel flex line to allow the appliance to be disconnected for service. An individual shut-off valve (not supplied) is required on the supply line ahead of the flex connector.

Use only new black iron or steel pipes or copper tubing if acceptable—check local codes. Note that in USA, copper tubing must be internally tinned for protection against sulfur compounds.

Unions in gas lines should be of ground joint type.

The gas supply line must be sized and installed to provide a supply of gas sufficient to meet the maximum demand of the appliance without undue loss of pressure.

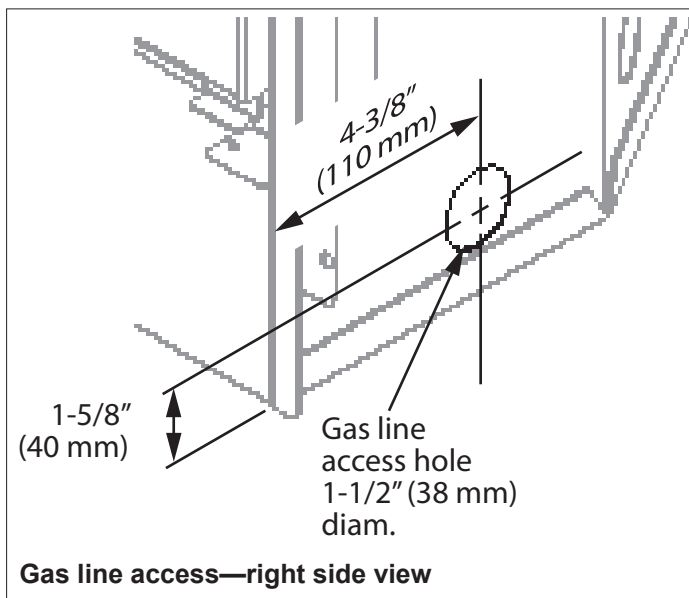
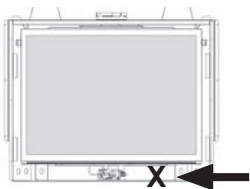
Sealant used must be resistant to the action of all gas constituents including LP gas. Sealant should be applied lightly to male threads to ensure excess sealant does not enter gas lines.

Pressure test the supply line for leaks.

The appliance and its individual shut-off valve must be disconnected from the gas supply piping system during any pressure testing of that system at test pressures in excess of 1/2 psig (3.5 kPa).

The appliance must be isolated from the gas supply piping system by closing its individual manual shut-off valve during any pressure testing of the gas supply piping system at test pressures equal to or less than 1/2 psig (3.5 kPa).

Failure to either disconnect or isolate the appliance during pressure testing may result in regulator or valve damages and void the warranty. Consult your dealer in case of damages.



Pressure Test Points

The minimum supply pressure is given in the section *Specifications* of this manual—page 20.

All piping and connections must be tested for leaks after installation or servicing. All leaks must be corrected immediately.

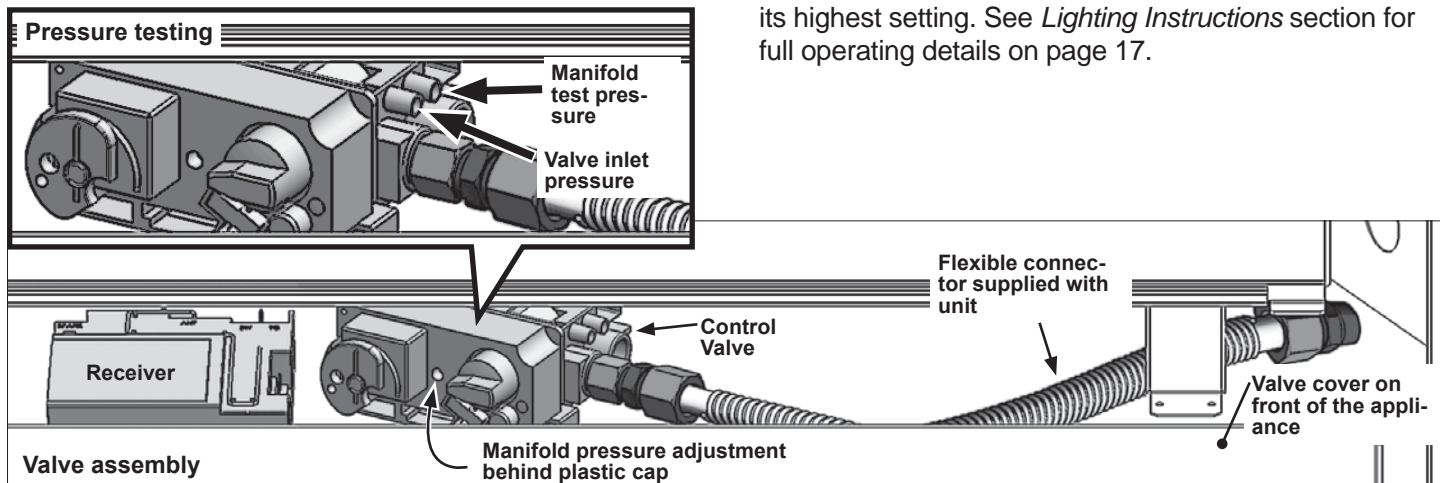
When testing for leaks:

- Make sure that the appliance is turned off.
- Open the manual shut-off valve.
- Test for leaks by applying a liquid detergent or soap solution to all joints. Bubbles forming indicate a gas leak.

**Never use an open flame to check for leaks.
Correct any leak detected immediately.**

The pressure test tapping locations are shown in the figure below. An internal regulator within the valve controls the burner manifold pressure.

The correct pressure range is shown in the table in section *Specifications* of this manual on page 20. The pressure check should be made with the burner alight and at its highest setting. See *Lighting Instructions* section for full operating details on page 17.



Installation

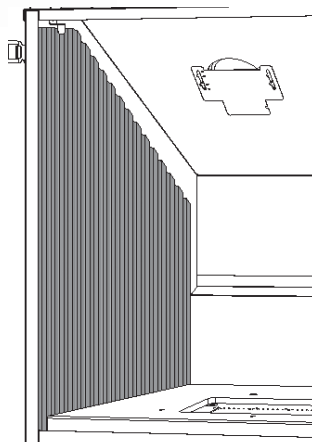
Install Liners

The following guidelines apply for all liners with the exception of the 1470RGL—Reflective Glass Liners; the instructions are provided with the kit.

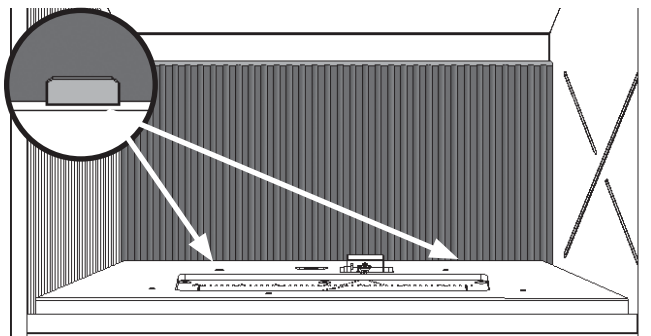
1. Inside the firebox, on the top of each side, release the screw of the side panel anchors if necessary so they can rotate freely (one per side).



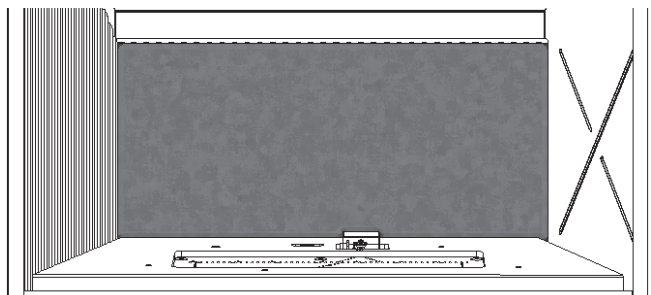
2. Insert the bottom of one of the side liner panel between the burner and the side wall and rotate it slightly to insert it totally inside the firebox. Push it gently against the side wall. Rotate the side panel anchor to hold the panel in place.



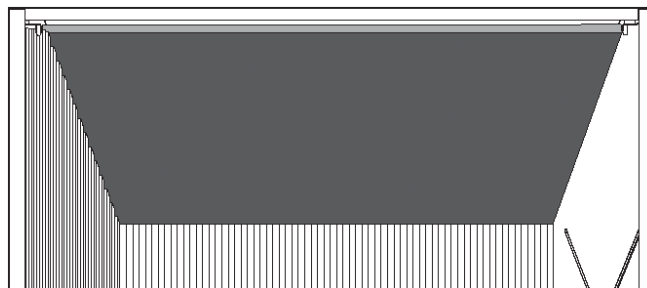
3. Place the rear panel against the back of the firebox behind the rail retainers at bottom and behind the side panel already installed.



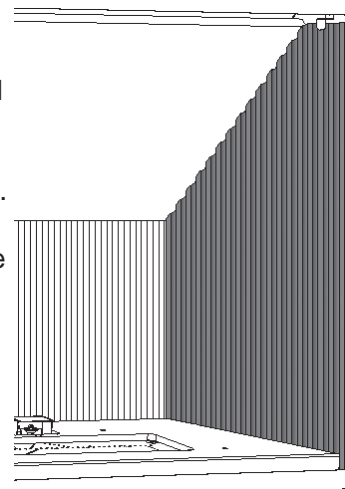
Note: If you are installing the optional 1405RGL—Reflective Glass liner panel (with 1425FBL—Fluted Black Liners or 1460PBL—Black Liners), place the reflective panel, smooth side visible, in front of the rear ceramic panel, held in place as well by the bottom rail retainers.



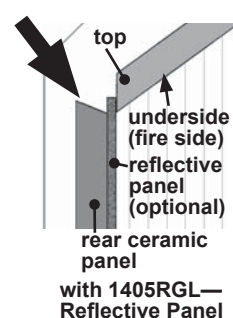
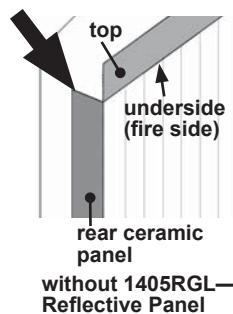
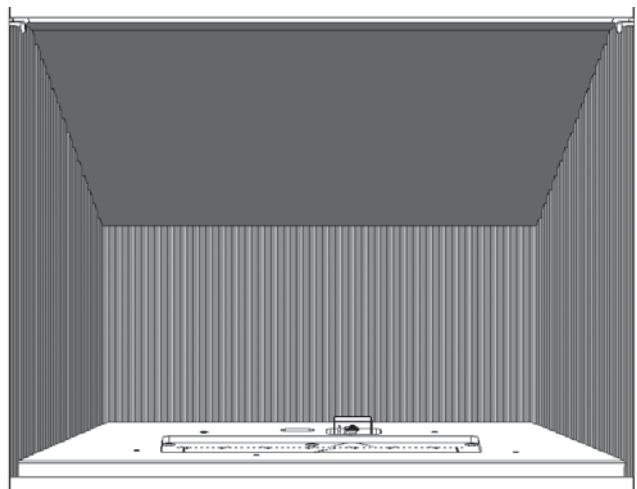
4. Insert the top panel, beveled edge towards the back of the firebox, on top of the side and rear panels.



5. Insert the bottom of the other side liner panel between the burner and the side wall and rotate it slightly to insert it totally inside the firebox. Push it gently against the side wall. Rotate the side panel anchor to hold the panel in place.



6. Slide the top across the top of the other panel to rest on both side panels and rear panel.



Installation

Install Driftwood Kit 1400DWK

Material required

- Driftwood Kit containing:
 - 5 logs
 - 7 pebbles
 - 1 x 1.5 lb bag of 3/4" grey/black shale
- Gloves, if desired

Installation

Logs

Carefully unpack the kit. Install the logs as shown below.

1. Fill the cavity on the ceramic platform with one layer of shale pieces.



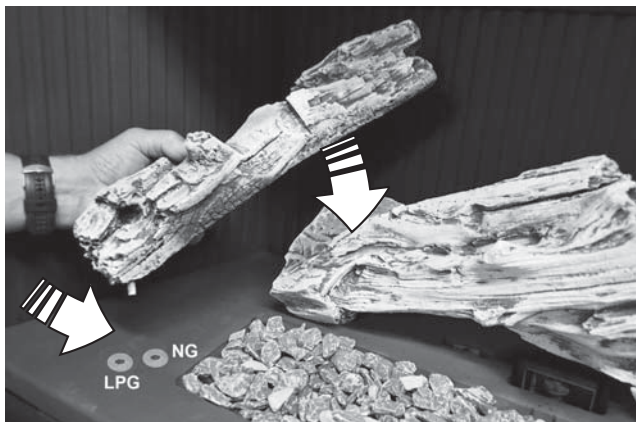
2. Place the rear log in position inserting its pins into the holes at the rear of the burner.



3. Place the left log inserting its pin into the hole in the front of the platform and resting its rear end on flat space on the rear log.

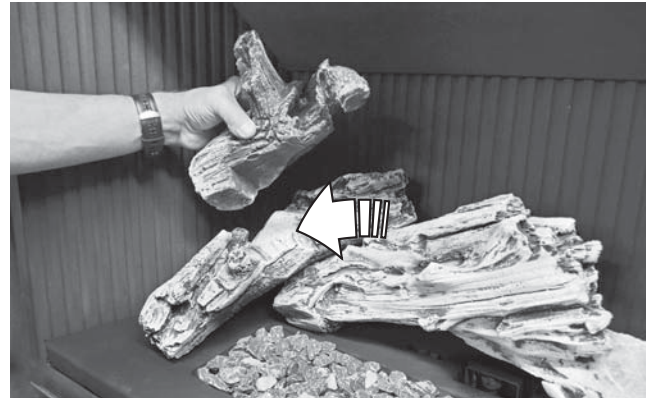
NG: Use the rear hole.

LPG: Use the front hole.



4. Notch the left cross log on top of the left log and rest its curved end on the shale fuel bed. Move pieces of shale so the log's end rests on the platform itself. Adjust the position according to fuel used.

NG: The curved end of the log should rest centered in the shale bed between the front and the rear.

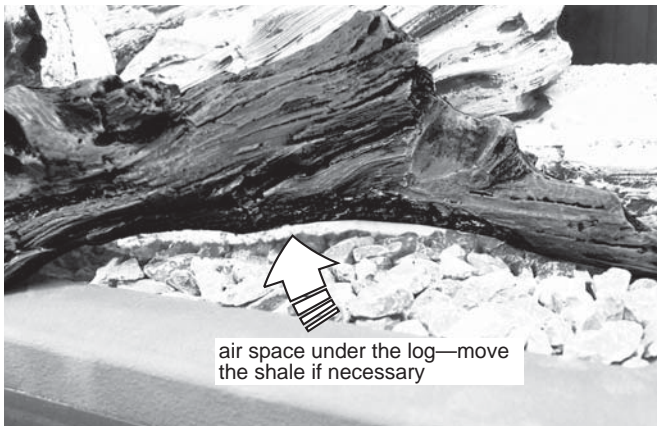
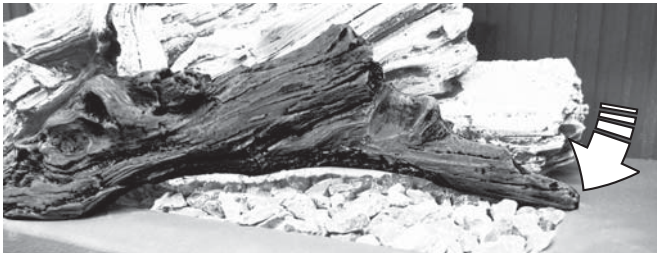


LPG: The curved end of the log should rest forward in the shale bed, about 1 inch from the front edge of the burner cavity.



Installation

- Place the right cross log inserting its pin in the hole at the front center of the platform. Rest its narrow flat edge about 1 inch in front of the rear edge of the burner's cavity. There should be an air space under the log; move the shale pieces if necessary.



- Place the right log inserting its pin on the front right hole on the burner platform; the block in the middle goes to the notch on the right cross log and the other end rests on the flat space on the rear log.



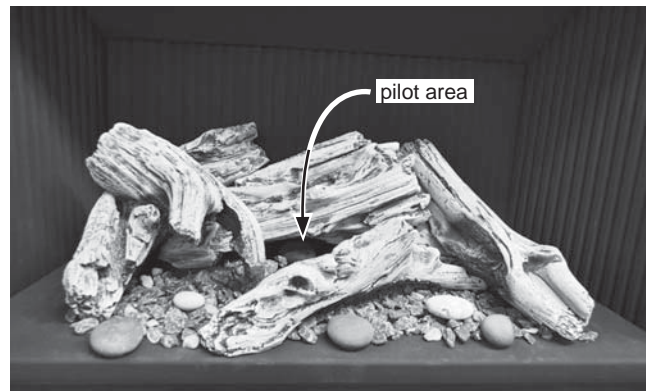
- Add some shale to cover the edge of the cavity in the burner platform.



Pebbles

Place the pebbles on the shale and platform as suggested below.

NOTE: Ensure the area within and in front of the pilot shield is not blocked by shale particles or rock.



WARNING

CHOKING HAZARD! Ensure that the fireplace area is clear of shale particles as these could be ingested by small children. Vacuum area after installation.

Installation

Install Decorative Glass Murano 1400DGM

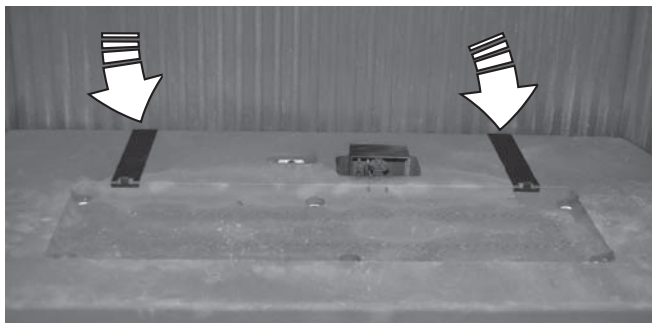
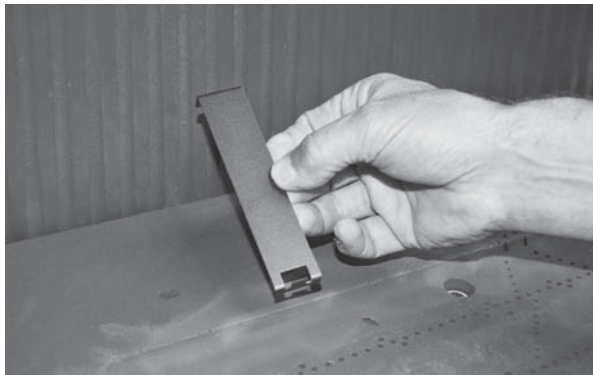
Material required

- Decorative Glass Murano kit containing:
 - 1 glass platform
 - 1 glass square pad
 - 1 pilot shield
 - 2 platform retainers
 - 1 bag of clear 1/2" fireglass
- Gloves (recommended to manipulate glass)

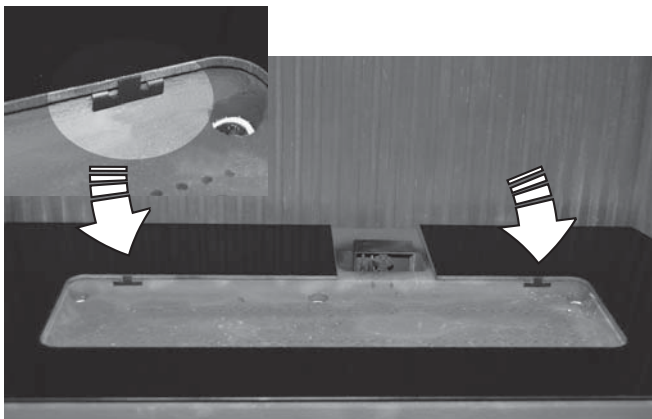
Installation

Carefully unpack the kit. Wear gloves to handle the fireglass.

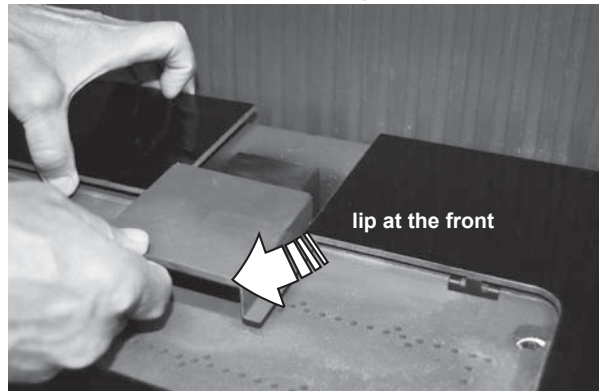
1. Install the two platform retainers as indicated.



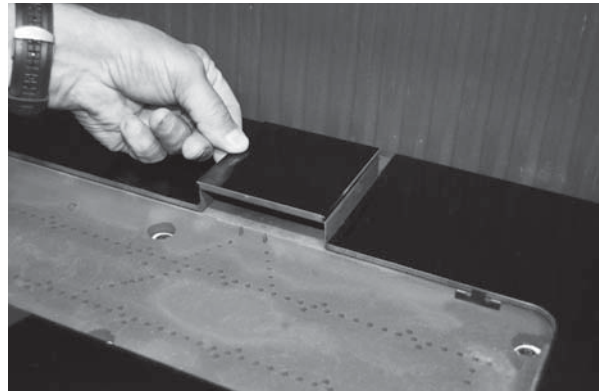
2. Install the glass platform on top of the retainers.



3. Lift the glass platform slightly and insert the pilot shield over the pilot cover. Note the orientation of the pilot shield with the lip being at the front.



4. Place the square glass pad on the pilot shield.



5. Carefully spread the glass on top of the burner within the platform opening.



NOTE: Ensure the area within the pilot area is clear of glass particles.

⚠ WARNING

CHOKING HAZARD! Ensure that the fireplace area is clear fireglass particles as these could be ingested by small children. Vacuum area after installation.

Installation

Install Decorative Glass Set 1400DGS

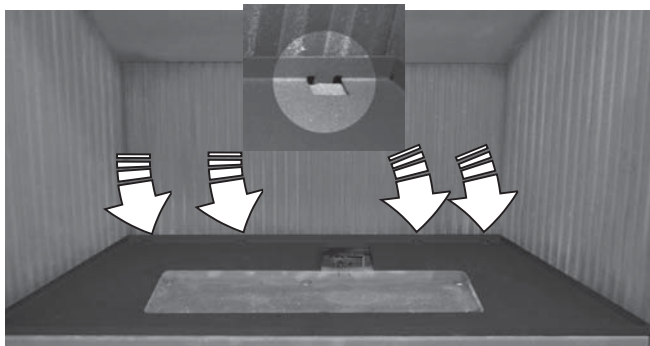
Material required

- Decorative Glass Set containing:
 - 1 metal tray
 - 1 pilot shield
 - 3 bags of clear 1/2" fireglass
- Gloves (recommended to manipulate glass)

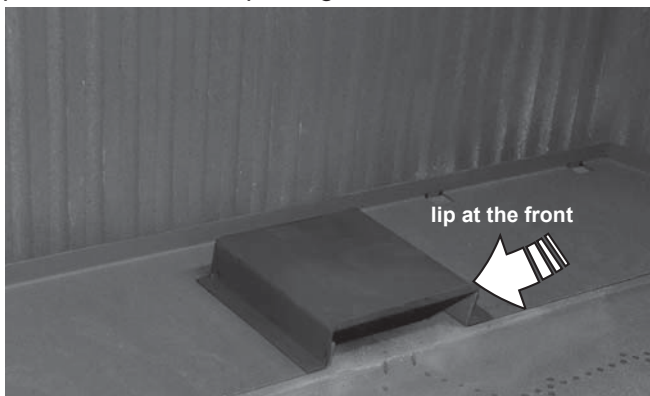
Installation

Carefully unpack the kit. Wear gloves to handle the fireglass.

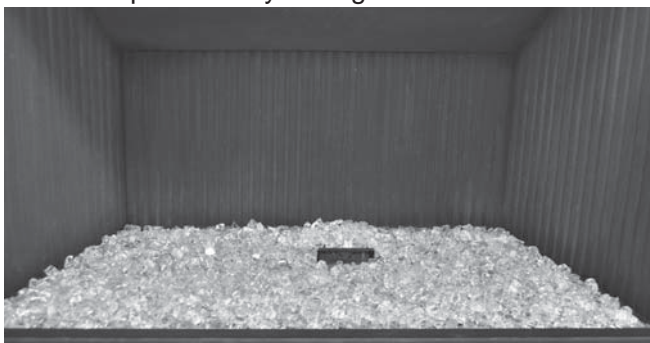
1. Install the metal tray over the ceramic burner.



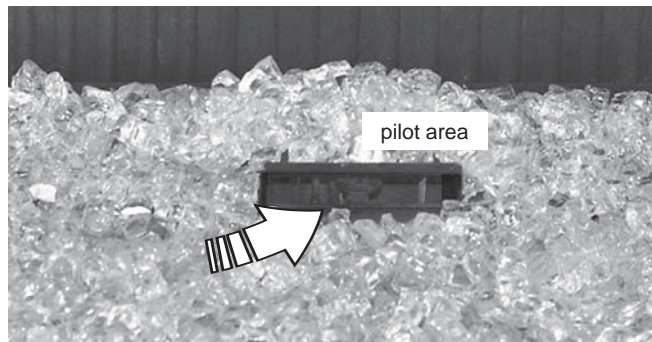
2. Place the pilot shield on top of the metal tray spanning over the pilot area cut-out. Note the orientation of the pilot shield with the lip being at the front.



3. Carefully fill the metal tray with fireglass, leveling it with the top of the tray's flange.



NOTE: Ensure the pilot area is clear of glass particles.



⚠ WARNING

CHOKING HAZARD! Ensure that the fireplace area is clear fireglass particles as these could be ingested by small children. Vacuum area after installation.

Installation

Install Traditional Log Kit 1400LSK

Material required

- Log set containing:
 - 1 grate
 - 7 logs
 - 2 bags of loose coal pieces
- Gloves, if desired

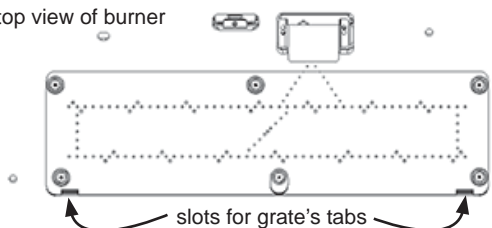
Installation

Unpack the ceramic logs very carefully to avoid damaging them. Install the logs as shown below. Please note that **the position of the logs is critical to insure proper performance of the appliance.**

1. Place the grate securing it by inserting the tabs in the slots at the front edge in the burner platform cavity. Center the grate with the burner cavity.

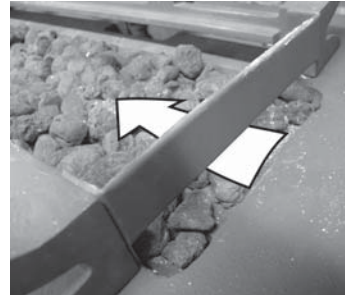


top view of burner



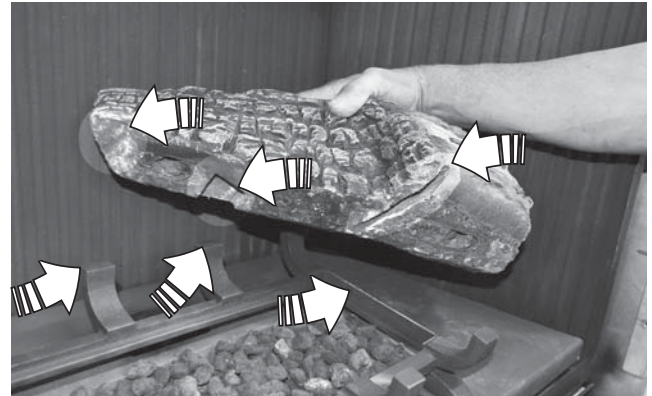
2. Cover the burner cavity with loose coal pieces as shown. A single layer of coals is all that is required. Remaining coals can be used later on (step 10) outside the burner cavity to hide driftwood log location pin holes in burner.

Note: Avoid piling coals against the sides of the grate to allow air flow under the grate.

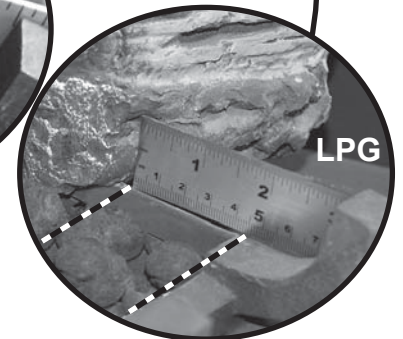
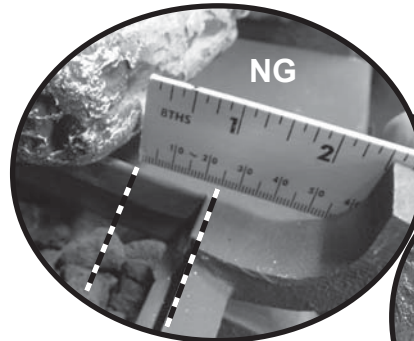
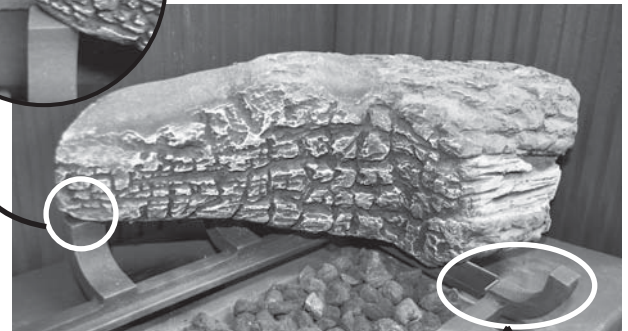
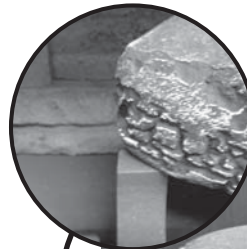


Sides of grate: do not overfill cavity to leave space under grate's left and right supports for airflow

3. Place the right rear log inserting the grate's right side support into the slot on the underside of the log and resting the log's end on the rear middle tine of the grate as indicated.

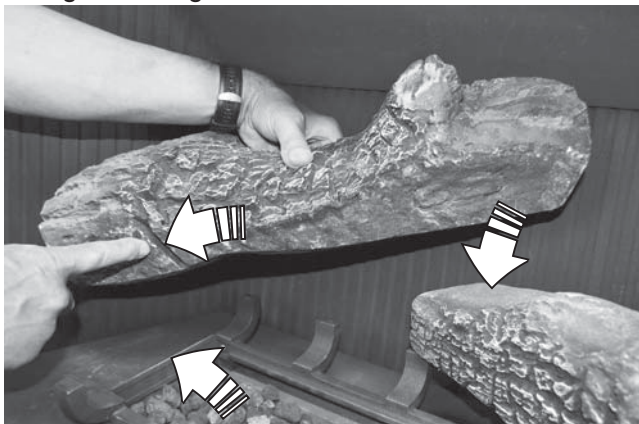


Note: This gap between the log and the front inside edge of the grate depends of the gas type used.
NG = 1" LPG = 1-3/4"



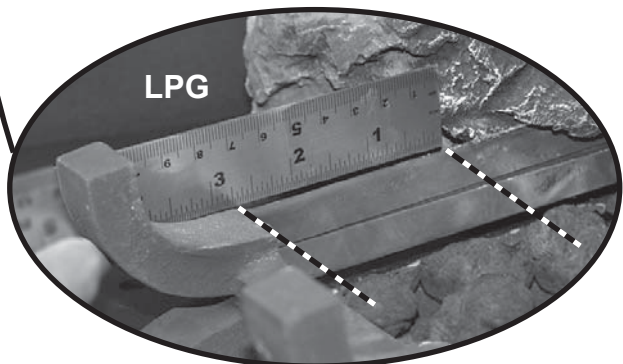
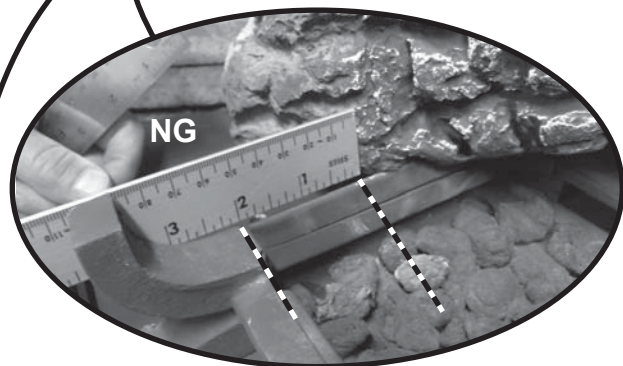
Installation

- Place the left rear log on the grate's left side support and resting the log's end on the flat space on top of the right rear log as indicated.

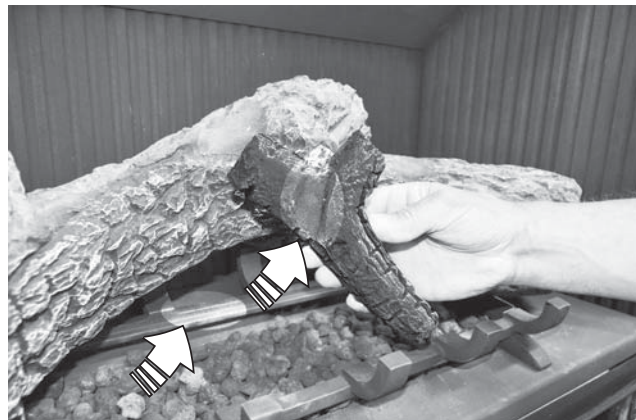


Note: This gap between the log and the front inside edge of the grate depends of the gas type used.

NG = 2" LPG = 2-3/4"



- Place lower rear log's notch on the grate's rear support under the left rear log as indicated.



- Place the left top log resting its front end notch between the grate's first and second tines and its other end on rear log as indicated.

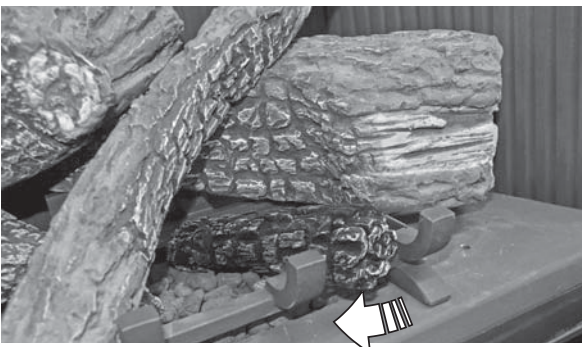


Installation

7. Place the right top log resting its front end notch between the grate's second and third tines and rest its other end on the right rear log as indicated.



8. Insert the right front log underneath the right top log its notch resting between the grate's first and second right tines as indicated. The other end of the log rests on the shale bed. Slide the log left as far as possible until it rests against the left cast tine.



9. Insert the left front log underneath the left top log resting it on the grate left support. The other end of the log rests on the shale bed next to the lower rear log.



10. Add some loose coals pieces on the ceramic platform as suggested.



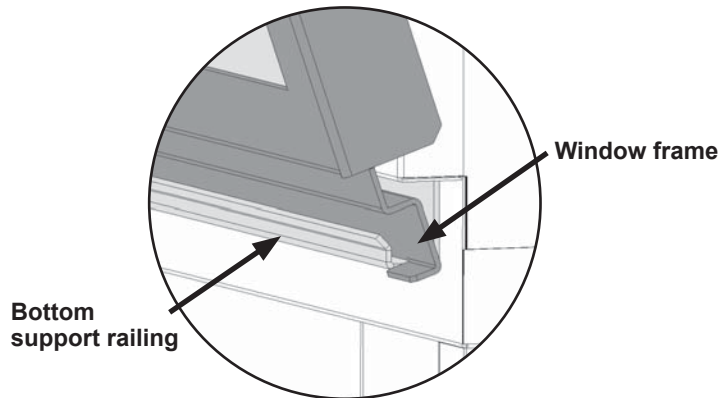
WARNING

CHOKING HAZARD! Ensure that the fireplace area is clear of loose coals pieces as these could be ingested by small children. Vacuum area after installation.

Installation

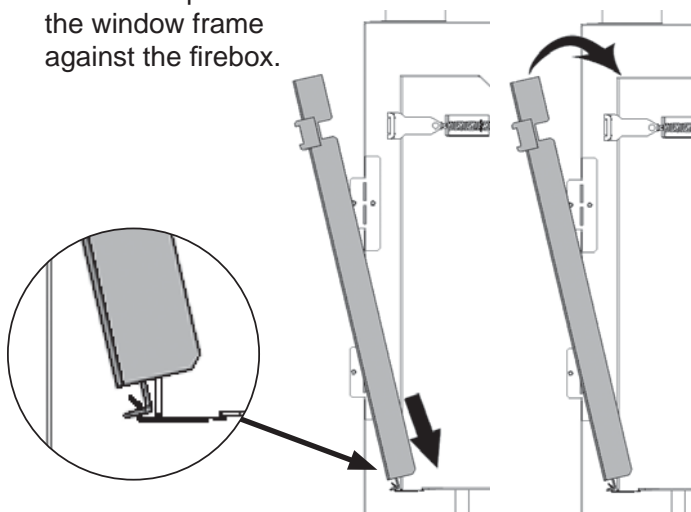
Refit Window

1. To refit the window, place it in its bottom support railing. **Ensure there is no glass or vermiculite particles in the bottom railing.**

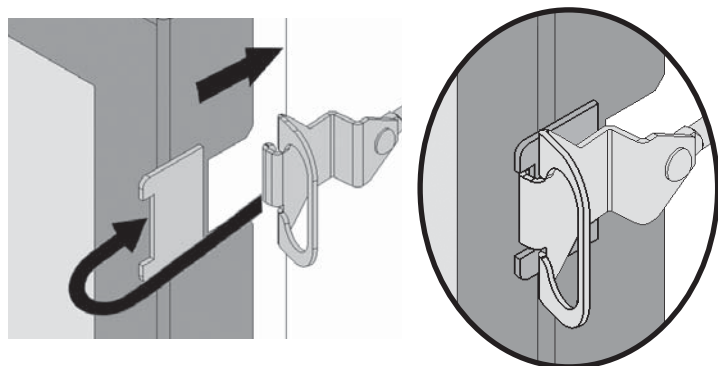


2. Push the top of the window frame against the firebox.

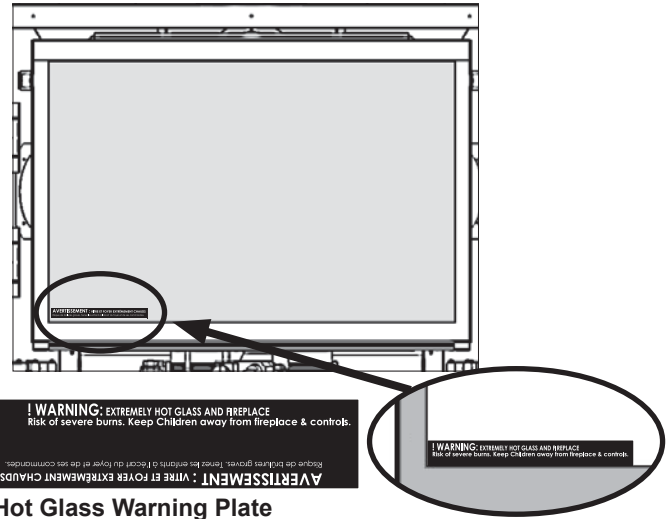
Section Views



3. While you hold it, pull the side levers back into the window brackets on each side.



4. Apply firm hand pressure around the window frame to ensure the window is sealed tight against the firebox.
5. If the Hot Glass Warning plate has been removed from the front lower corner of the window, reinstall it by sliding it between the glass and the frame as indicated.



Hot Glass Warning Plate

! DANGER

The window unit must be correctly installed, fastened and sealed after servicing or serious bodily injury and/or damage to the appliance may result.

To ensure a safe operation:

- Double-check that the bottom of the window frame is correctly installed in the bottom support railing;
- Verify that the levers are hooked properly to the window tabs then;
- Pull out the top of the window and release it to insure the springs return it;
- Ensure the window is sealed before operation.

! WARNING

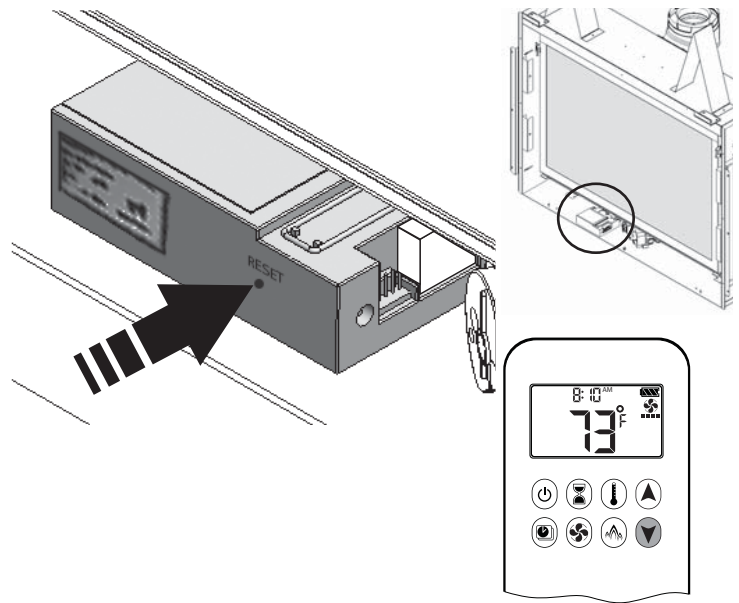
Failure to install window correctly can affect the performance of the fireplace, damage components, cause overheating resulting in dangerous conditions. Damage caused by incorrect window installation is not covered by the Valor warranty.

Remote Control Initial Pairing

The receiver and the handset of the remote control system must be initially paired before the first use.

1. Insert two 1.5 V AAA **alkaline** batteries in the handset.
2. Locate the Reset button on the front side of the receiver.
3. With a sharp object, press and hold the receiver's RESET button until you hear one short and one long beeps. After the second beep, release the reset button.
4. Within the subsequent 20 seconds, press the ▼ button on the remote handset until you hear two short beeps confirming the pairing is done. If you hear one long beep, the pairing sequence has failed or the wiring is incorrect.

This is a one time pairing only and is not required when changing the batteries of the handset or receiver. The remote control system is now ready to use.



Installation

Check Operation

Turn the fireplace flame up and down using the remote control to confirm that the full range of inputs is achieved—see the remote control operation instructions on pages 11–15.

Adjust Aeration if needed

Light the fire and allow the unit to warm up for 10–15 minutes to evaluate the flame picture. The burner is equipped with an adjustable shutter to control primary aeration. The shutter is factory-set to an aeration gap which will give optimum performance for the vast majority of installations.

In a few unusual installations, the flame picture may be improved by adjusting the aeration. The need for adjustment should be determined only by operating the appliance with the fuel bed and window installed.

Increasing aeration will cause the flames to appear more transparent and blue showing more ceramic effects glow.

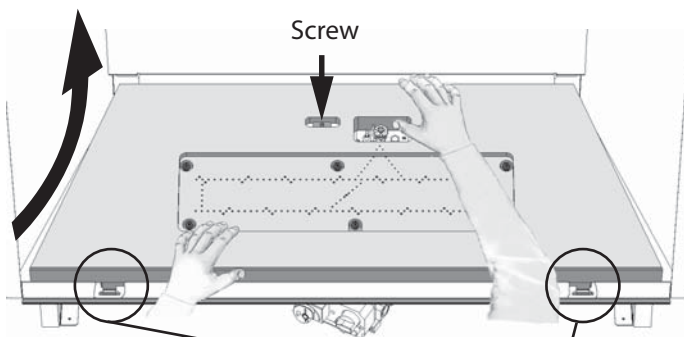
Decreasing aeration will cause the flames to appear more yellow or orange showing less ceramic effects glow.

Too little aeration may result in black carbon forming on logs or roof panel and dropping into the firebox.

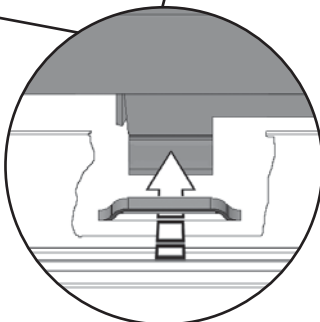
Air Shutter

The air shutter is located under the ceramic fuel bed at the back. To access the air shutter, very carefully remove the ceramic fuel bed.

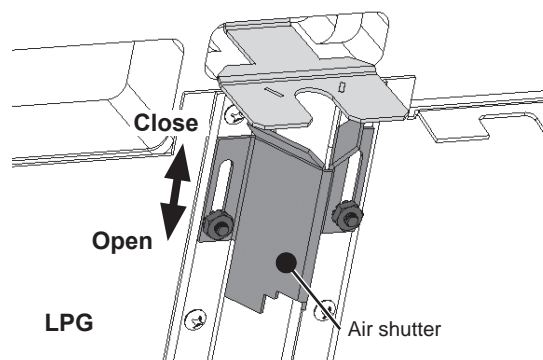
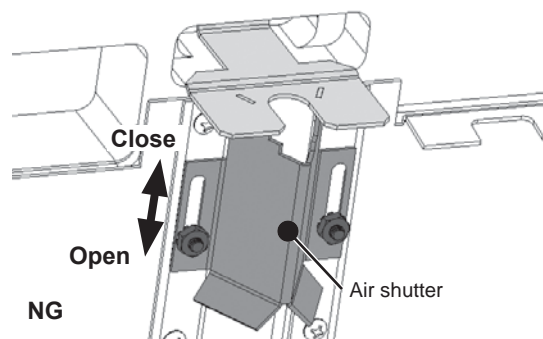
1. Remove the screw fixing the rear of the burner to the manifold bracket as indicated.



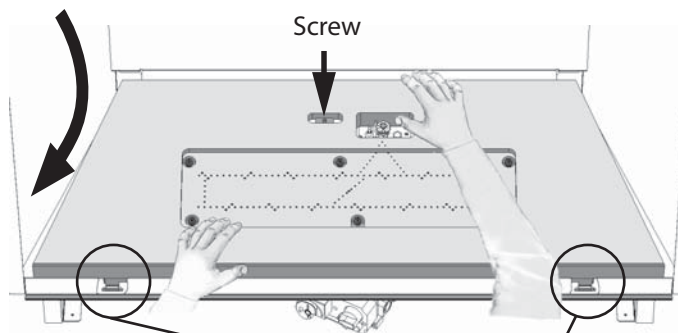
2. Grab the burner and gently pull up the rear first while pushing back and unhooking the front tabs from their retaining lances. **Be careful not to hook the pilot hood as you pull the burner up.**



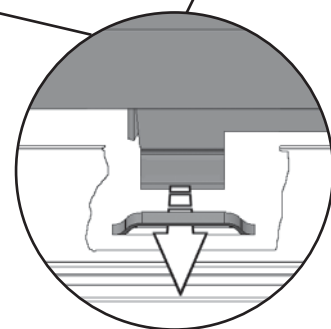
3. Loosen the air shutter nuts, adjust and re-tighten.



4. To reinstall the burner, fit the burner in the firebox inserting the front tabs first in the lances.



Note: Ensure that the front of the burner is well hooked when re-installing!
Again, be careful not to hook the pilot hood when fitting the burner over the pilot.



5. Fix the burner to the manifold bracket at the rear with screw.

Install Surround and Barrier Screen

Install the surround chosen by the customer for their fireplace. Install as well the barrier screen which is provided with the surround.

Show the customer how to remove the barrier screen to access the controls.

Follow the instructions provided with the surround and leave those instructions behind for the customer's further reference.

Install Remote Control Handset Wall Holder

The remote control kit for this fireplace comes complete with a wall-mounted holder. This holder is not required in all installations but is provided as an optional feature for those customers who wish to mount the remote handset to the wall.

To install the holder to the wall, find a convenient location (see below) and use the hardware provided with the kit.

IMPORTANT. The location of the remote control handset is important to assure proper temperature regulation.

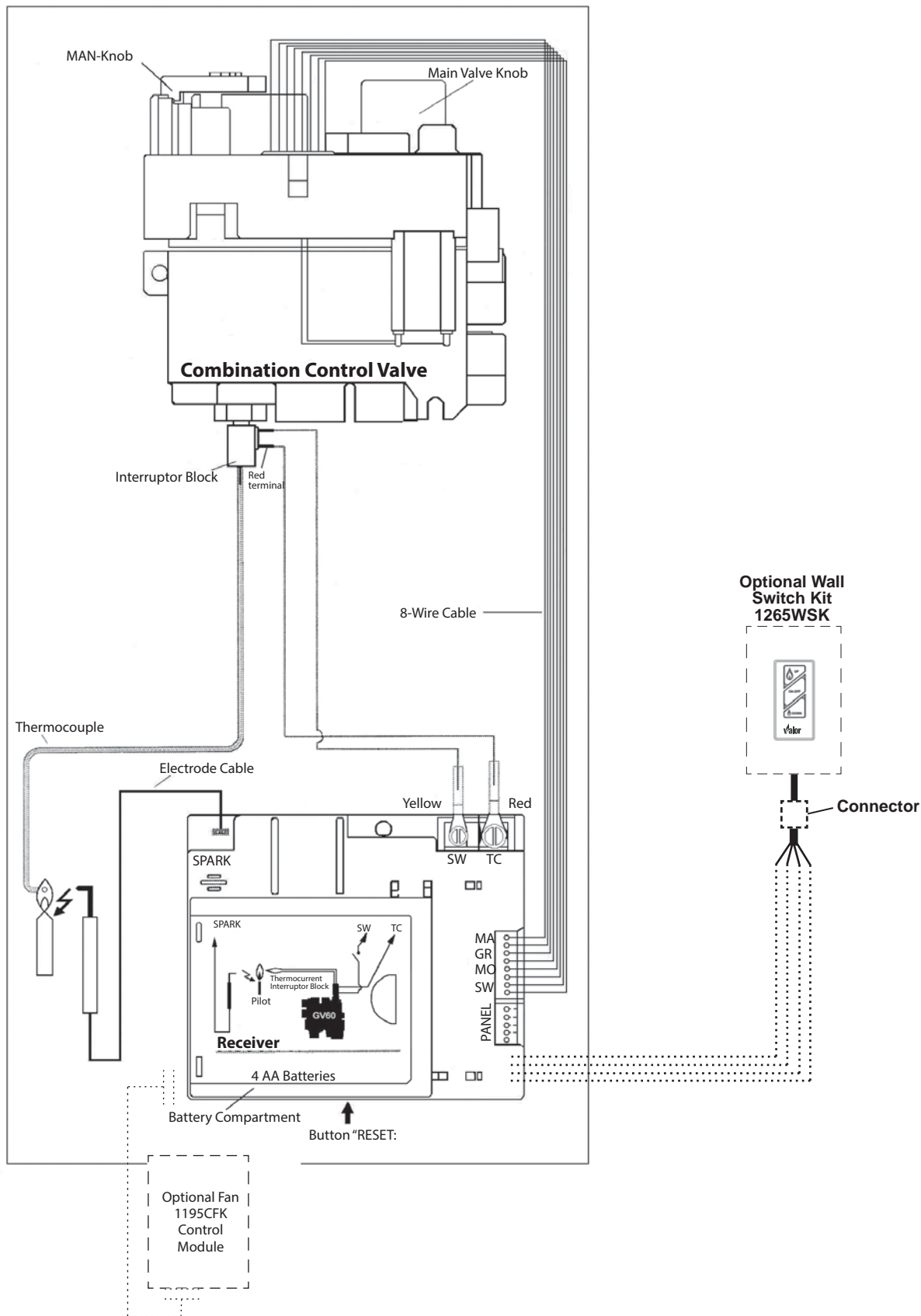
To obtain a constant temperature, we recommend that the handset should be between 3 and 15 feet away from the appliance **but not directly above it.**

We also advise that the handset should be located:

- away from any other heat source,
- not in direct sunlight,
- not on an outside wall, and
- away from return air grilles,



as this may affect the temperature sensor located in the remote handset.

Wiring Diagram



GV60 Wiring Diagram

Approved Venting Components

Approved Direct Vent Suppliers for Valor Models 1100, 1150, 1200 ⁵ , 1400, 1500, 1600 ⁵ and 1700 ⁶										
		  Venting Parts Description		Venting Parts Code / availability by Manufacturer						
				DURA-VENT	SELKIRK	ICC EXCEL DIRECT	SECURE VENT	RLH INDUSTRIES	AMERIVENT	MILES INDUSTRIES
Termination Caps	Horizontal	Standard Co-axial	46DVA-HC	4DT-HC	TM-4HT	—	—	4DHC round	658DVK2	940160
		Deluxe Co-axial	—	—	TM-4DHT	—	—	4DHCS square	—	940160
		High Wind Co-axial	—	—	—	SV4CHC	—	—	—	—
	Vertical	Standard Co-axial	46DVA-VC	4DT-VC	TM-4VT	—	HSDV4658-1313	4DVC	—	940264
			4DH-1313	—	940364					
			—	—	940206LP					
		High Wind Co-axial	46DVA-VCH	—	—	SV4CGV	—	—	—	—
		Extended Co-axial	46DVA-VCE	—	—	—	—	—	—	—
		Co-linear	46DVA-CL33	—	—	3PDVCV	HS-C33U-99	HCL-99-33	559CLT	940033B
			46DVA-CL33H					HCL-913-33		940034B
46DVA-CL34	HCL-1313-33		940033HWS							
46DVA-33P	—		—							
46DVA-CL34P	—	—	HS-C33F-1313	—	—	940033RD				
Snorkel, 14" Rise	46DVA-SNK14	4DT-ST14	TM-4ST14	—	—	4D14S	—	94040614		
Snorkel, 36" Rise	46DVA-SNK36	4DT-ST36	TM-4ST36	—	—	4D36S	—	94040636		
Vent Adapters / Couplers	Universal Adapter 3" Flex Coupler	2150	—	TM-CFAA3	—	—	—	—	95090390	
	Co-linear Flex Connector	46DVA-ADF	—	—	—	—	—	—	—	
	Co-axial-to-Co-linear Adapter	46DVA-GCL ⁶	—	TM-4CAA ⁶	—	—	4DCAB33 ⁶	1156CLA ^{5,6}	940106433 ⁶	
	Co-linear-to-Co-axial Adapter	46DVA-GK	—	TM-4CTA	—	—	4DCAT33	—	—	
Aluminum Flexible Liner	3" or 4" diameter		NOTE: 2-ply liner approved to CAN/ULC S635 suitable for venting gas appliances. As manufactured by Z-Flex, Flexmasters or others.							
			2280 Series	AF3-35L	—	—	—	—	—	952703
Adjustable Pipe Length 4" x 6-5/8"	4" to 10"	Galvanized	—	4DT-ADJ	—	—	—	4D7A or 4D7AB (3" to 5")	—	94610608 (4" to 8-1/2")
		Black		4DT-ADJ(B)						
	1-1/2" to 6"	Galvanized	—	—	—	SV4LA	—	4D12A or 4D12AB (3" to 10")	—	94610616 (4" to 16")
		Black								
	1-1/2" to 12"	Galvanized	—	—	TC-4DLT	SV4LA12	—	4D16A or 4D16AB (3" to 14")	—	—
		Black				TC-4DLTB				
	1-1/2" to 24"	Galvanized	—	—	—	SV4LA24	—	4D26A or 4D26AB (3" to 24")	—	—
		Black				SV4LBA24				
DV 45° Elbows	Galvanized		46DVA-E45	—	TE-4DE45	—	—	4D45L	—	94620645
	Black		46DVA-E45B	—	TE-4DE45B	SV4EBR45	—	4D45LB	—	94620645B
	Galvanized Swivel		—	4DT-EL45	—	SV4E45	—	—	—	—
	Black Swivel			4DT-EL45(B)		SV4EB45				
DV 90° Elbows	Galvanized		46DVA-E90	—	TE-4DE90	—	—	4D90L	—	—
	Black		46DAV-E90B	—	TE-4DE90B	SV4EBR90	—	4D90LB	—	—
	Galvanized Swivel		—	4DT-EL90	—	SV4E90	—	—	—	94620690
	Black Swivel		—	4DT-EL90(B)	—	SV4EB90	—	—	—	94620690B

Approved Venting Components

**QUALIFIED
INSTALLER**

Venting Parts Description			Venting Parts Code / availability by Manufacturer							
			DURA-VENT	SELKIRK	ICC EXCEL DIRECT	SECURE VENT	RLH INDUSTRIES	AMERIVENT	MILES INDUSTRIES	BDM
Pipes 4" x 6 5/8" (ID x OD)	6" long	Galvanized	46DVA-06	4DT-06	TC-4DL6	SV4L6	—	—	—	94610606
		Black	46DVA-06B	4DT-06(B)	TC-4DL6B	SV4LB6	—	—	—	90410606B
	7" long	Galvanized	—	—	—	—	—	4D7	—	—
		Black	—	—	—	—	—	4D7B	—	—
	9" long	Galvanized	46DVA-09	4DT-09	—	—	—	—	—	94610609
		Black	46DVA-09B	4DT-09(B)	—	—	—	—	—	94610609B
	12" long	Galvanized	46DVA-12	4DT-12	TC-4DL1	SV4L12	—	4D12	—	94610612
		Black	46DVA-12B	4DT-12(B)	TC-4DL1B	SV4LB12	—	4D12B	—	94610612B
	18" long	Galvanized	46DVA-18	4DT-18	—	—	—	—	—	94610618
		Black	46DVA-18B	4DT-18(B)	—	—	—	—	—	94610618B
	24" long	Galvanized	46DVA-24	4DT-24	TC-4DL2	SV4L24	—	4D2	—	94610624
		Black	46DVA-24B	4DT-24(B)	TC-4DL2B	SV4LB24	—	4D2B	—	94610624B
	36" long	Galvanized	46DVA-36	4DT-36	—	SV4L36	—	4D3	—	94610636
		Black	46DVA-36B	4DT-36(B)	—	SV4LB36	—	4D3B	—	94610636B
	48" long	Galvanized	46DVA-48	4DT-48	TC-4DL4	SV4L48	—	4D4	—	94610648
		Black	46DVA-48B	4DT-48(B)	TC-4DL4B	SV4LB48	—	4D4B	—	94610648B
Flashings	Roof Flashing 0/12-6/12		46DVA-F6	4DT-AF6	TF-4FA	SV4FA	—	4DF (0/12-5/12)	—	949606012
	Roof Flashing 7/12-12/12		46DVA-F12	4DT-AF12	TF-4FB	SV4B	—	4DF12 (6/12-12/12)	—	949606712
	Flat Roof Flashing		46DVA-FF	—	TF-4F	SV4F	—	—	559FSK	949606001
	Masonry Flashing		—	—	TF-4MF	—	—	—	—	—
	New Siding Flashing		—	—	—	—	—	—	658NSFK	—
Various Venting System Parts	Wall Thimble		46DVA-WT	4DT-WT	TM-4WT	SV4RSM	—	4DWT	—	949064U
	Storm Collar		46DVA-SC	4DT-SC	TM-SC	SV4AC	—	4DSC	—	94960608
	Decorative Plate		46DVA-DC	4DT-CS	TM-4TR	SV4PF	—	4DFPB	—	94940612
	Cathedral Ceiling Support		46DVA-CS	4DT-CCS	—	—	—	4DRSB	—	949506KT
	Ceiling Firestop / Floor Support		46DVA-FS	4DT-FS	TM-CS	SV4BF SV4SD	—	4DFSP	—	94980612
	Attic Radiation Shield / Firestop		—	—	TM-4AS	—	—	4DAIS12 (12") 4DAIS36 (36")	—	94930620A
	Wall Strap		46DVA-WS	4DTWS	TM-WS	—	—	4DWS	—	949164
	Vinyl Siding Standoff		46DVA-VSS	4DT-VS	TM-VSS	SV4VS	—	4DHVS	—	94800615S
	Elbow Strap / Offset Support		46DVA-ES	4DT-OS	TM-OS	—	—	—	—	949264
	Terminal Guard		46DVA-WG	—	—	—	—	—	845TG 658TG	940164SHRD

- Notes:**
1. Follow instructions supplied with each manufacturer's components.
 2. Unless otherwise specified, all the parts and assemblies from the above table are to be used with 4" x 6-5/8" pipes.
 3. **Do not mix components from different vent manufacturers.**
 4. Termination caps manufactured by RLH Industries or American Metal Products are from Homestyle Chimney Collection and can be ordered in one of the following finishes: a) aluminium; b) black powder coated; c) solid copper.
 5. Miles Industries Valor Co-linear adapter 1156CLA cannot be used with models 1200 and 1600. Use only with models 1100, 1150, 1400, 1500 and 1700.
 6. Only Miles Industries Valor Co-linear adapter 1156CLA can be used with models 1700.

Warranty

If you have a problem with this unit, please contact your dealer or supplier immediately. Under no circumstances should you attempt to service the unit in any way by yourself. The warranties in paragraphs 1 and 2 are provided only to the initial owner of this unit, are not transferable and are subject to the conditions and limitations in paragraphs 3, 4 and 5. Please review the conditions and limitations carefully and strictly follow their requirements.



1. Extended Warranty Coverage

For a period of up to ten (10) years, Miles Industries Ltd., (the "Company") or its appointed distributor will at its option pay the initial owner for the repair of, or will exchange the following parts or components which are found to be defective in material or workmanship under normal conditions of use and service:

Part or Component	Defect Covered	Maximum Warranty Period
Exterior steel casing	Corrosion	10 years
Glass	Loss of structural integrity	10 years
Cast iron parts	Corrosion	10 years
Firebox and heat exchanger	Corrosion (but not discoloration) causing loss of structural integrity	10 years

2. Two-Year Parts Warranty

In addition, for two (2) years from the date of purchase, the Company, at its option, can repair or exchange all parts and components not listed above but that are found to have a *bona fide* defect in material or workmanship under normal conditions of use.

3. Conditions and Limitations

- a) The warranty registration card must be completed by the initial owner and returned to the Company within 90 days of purchase. Alternatively, the warranty registration form may be filled out online at www.valorfireplaces.com.
- b) Installation and maintenance must be performed by an authorized and trained dealer in accordance with the Company's installation instructions.
- c) This warranty is void where installation of the unit does not conform to all applicable codes including national and local gas appliance installation codes and building and fire codes.
- d) The owner must comply with all operating instructions.
- e) The Company is not responsible for the labor costs to remove defective parts or re-install repaired or replacement parts.
- f) The initial owner of the unit will be responsible for any shipping charges for replacement parts as well as travel time incurred by the dealer to perform the warranty work.
- g) This warranty applies to non-commercial use and service and is void if it is apparent that there is abuse, misuse, alteration, improper installation, accident or lack of maintenance to the unit.
- h) This warranty does not cover damage to the unit due to:
 - i) Improper installation, operational or environmental conditions.
 - ii) Inadequate ventilation in the area or competition for air from other household equipment or appliances.
 - iii) Chemicals, dampness, condensation, or sulphur in the fuel supply lines which exceeds industry standards.
- i) This warranty does not cover glass, log breakage or damage to the unit while in transit.
- j) The Company does not allow anyone to extend, alter or modify this warranty and assumes no responsibility for direct, indirect or consequential damages caused by the unit. State or provincial laws where the first purchaser or user resides may provide specific rights to extend this warranty and, if so, the Company's sole obligation under this warranty is to provide labor and/or materials in accordance with those laws.

4. Discharge of Liability

After two (2) years from the date of purchase, the Company may, at its option, fully discharge all obligations under this warranty by paying to the first owner the wholesale price of any defective parts.

5. No Other Warranty

All obligations to repair this unit are defined in this warranty. Some states or provinces may specifically mandate additional warranties on the part of manufacturers, but in the absence of such specific legislation, there is no other warranty or obligation expressed or implied.

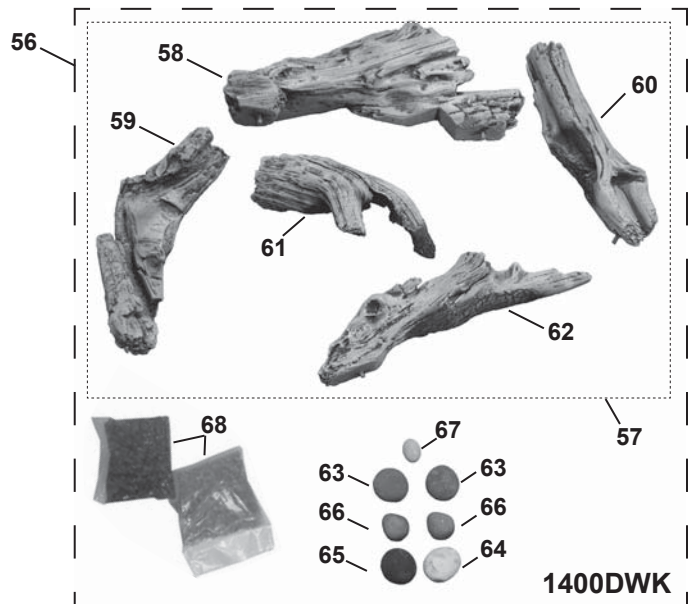
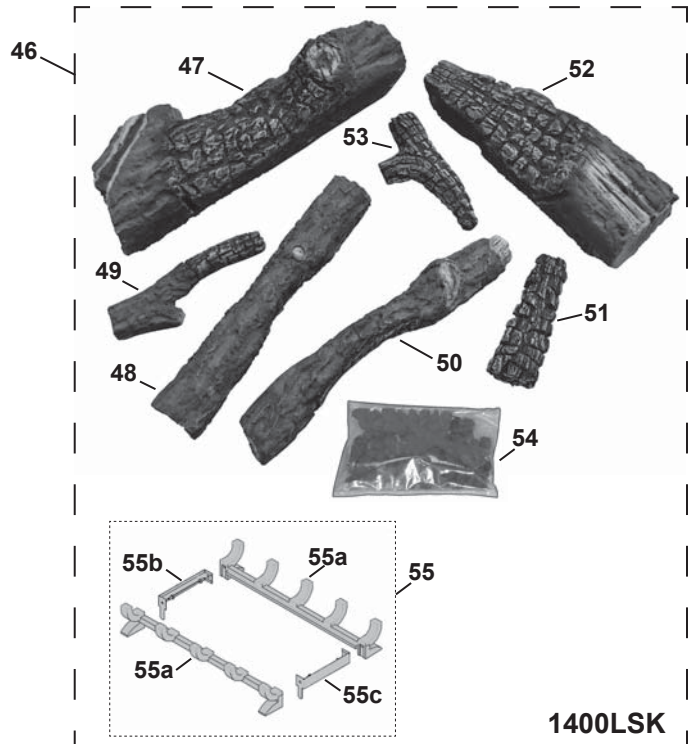
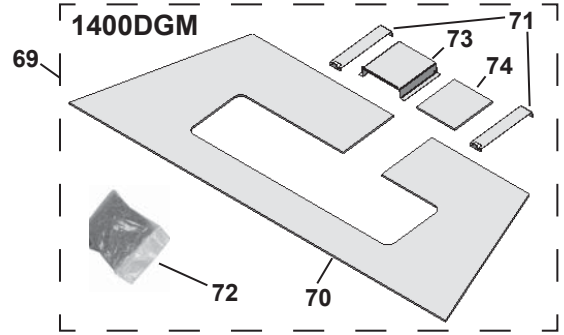
Spare Parts

Code	Description	Part Number
1	Heat shield	4004512
2	45 degrees flanged elbow	0945JM
3	Elbow gasket	4002999
4	Top stand-offs (2)	4005219
5	Restrictor plate	4001222
6	Take-off cover (2)	4003046
7	Frame fixing brackets (2)	4005226
8	LH Window latch assembly	4003681
9	RH Window latch assembly	4003680
10	Liner panel anchors (2)	4001283
11	Engine positioning brackets (2)	4005225
13	Window assembly	4003673X
14	Hot glass warning plate	4003093
15	1/2" Micore 300 insulation board	4001489
16	Burner contemporary assy 1400	4004975
17a	Module assembly 1400NG	4005313
17b	Module assembly 1400LPG	4005314
18	Manifold assembly	4004451
19	Pilot mount	4004452
20	Pilot shield 1400	4004559AH
21a	Pilot assembly NG	4001690
21b	Pilot assembly LPG	4001691
22	Thermocouple	4000061
23a	Pilot injector NG #51	4000735
23b	Pilot injector LPG #30	4000736
24	Electrode, short	4001856
25	Nut for short electrode	4001855
26a	Injector elbow NG 82-1000	4003985
26b	Injector elbow LPG 92-360	4001494
27	Gasket module plate, front	4003924
28	Gasket module plate, rear	4003925
29	Gaskets module plate, RH	4003926
30	Gaskets module plate, LH	4003927
31	Pilot sealing plate	4002910
32	Single pipe sealing plate	4003236
33	Valve to injector pipe assembly	4004065
34	Valve mount	4003956
35a	1400IN GV60 valve assy	4005315X
35b	1400IP GV60 valve assy	4005316X
36	Thermocurrent interrupter	4001037
37	Pipe s/s flex	4000345

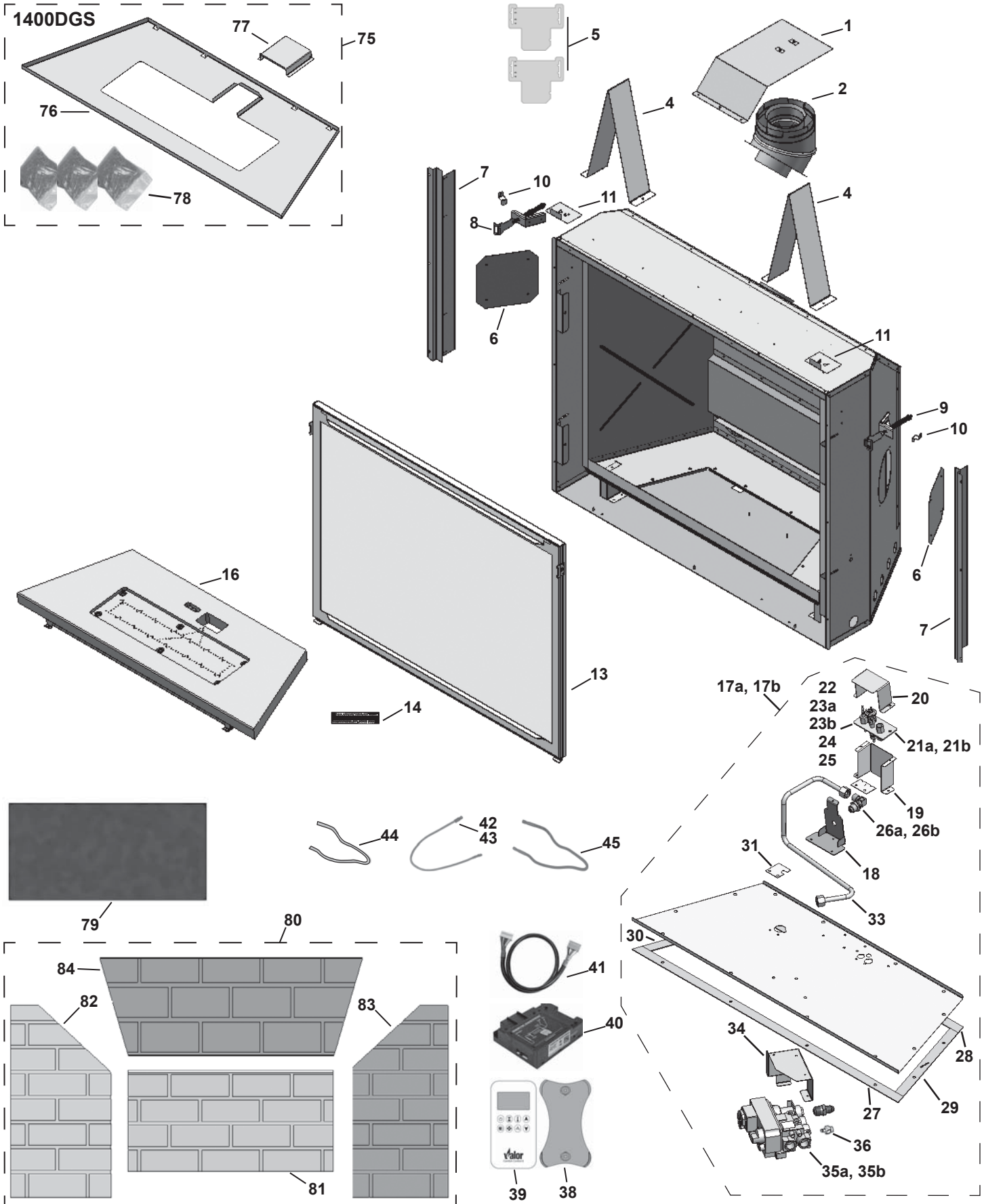
Code	Description	Part Number
38	Comfort Control wall holder	4004459
39	Comfort Control handset - 8	4004520
40	CC Universal receiver	4004468
41	Wire harness GV60	4001187
42	Yellow interruptor cable	4002096
43	Red cable to interruptor	4001035
44	Ignition cable sleeve 530 mm	4002244
45	Ignition cable 500 mm	4001039
46	Log Set Kit	1400LSK
47	Left rear log	4005048
48	Left top log	4005049
49	Left front log	4005050
50	Right top log	4005051
51	Right front log	4005052
52	Right rear log	4005053
53	Lower rear log	4005269
54	Loose coal pieces	4001843
55	Grate assembly	4005026
55a	Cast grate (2)	4001403
55b	RH Grate mounting bracket	4005025AH
55c	LH Grate mounting bracket	4005289AH
56	Driftwood Kit	1400DWK
57	H6 - Driftwood, full set	4005283
58	Rear log	4005284
59	Left log	4005285
60	Right log	4005286
61	Left cross log	4005287
62	Right cross log	4005288
63	Brown beach pebble (2)	4003082
64	White beach pebble	4003084
65	Black beach pebble	4003085
66	Small grey beach pebble (2)	4003086
67	Beige beach pebble	4003087
68	1-1/2 lb 3/4" grey/black shale	4004503
69	Decorative Glass Murano	1400DGM
70	Glass platform	4005012
71	Platform retainers (2)	4005044AH
72	1/2" clear fireglass (1 bag)	4004521
73	Pilot shield cover	4004699AH
74	Pilot glass pad	4004798

Spare Parts

Code	Description	Part Number
75	Decorative Glass Set	1400DGS
76	Tray for fireglass	4005045AH
77	Pilot shield cover	4004699AH
78	1/2" clear fireglass (3 bags)	4004521
79	Reflective Glass Panel	1405RGP
80	Liner panels - complete sets	
	Valor Red Brick Liners	1410VRL
	Ledgestone Liner Set	1415LSL
	Fluted Black Liner Set	1425FBL
	Plain Black Liner Set	1460PBL
	Reflective Glass Liners	1470RGL
	Side Spacers (10)	4004711AH
	Rear Spacers (2)	4004712AH
81	Rear panel	
	Valor Red Brick	4004816
	Ledgestone	4004823
	Fluted Black	4004828
	Plain Black	4004827
	Glass	4004982
82	LH side panel	
	Valor Red Brick	4004814
	Ledgestone	4004821
	Fluted Black	4004829
	Plain Black	4004825
	Glass	4005376
83	RH side panel	
	Valor Red Brick	4004815
	Ledgestone	4004822
	Fluted Black	4004830
	Plain Black	4004826
	Glass	4005375
84	Top panel	
	Valor Red Brick	4004813
	Ledgestone	4004820
	Plain Black	4004824
	Plain Black	4004824
	Plain Black	4004824



Spare Parts



Index

Automatic shut off. *See Remote control*

Automatic turn down. *See Remote control*

Barrier screen. *See also Safety*
installation 7, 64
replacement 3, 6, 16

Batteries. *See Remote control: batteries*

Burner aeration 63

Cement board 21, 23, 28–30, 40–41

Cleaning 6. *See also Maintenance*

Clearances

corner 22
hearth 21, 23
mantel 23
wall 24

Control devices 9

Crushed glass. *See Fuel beds*

Electrical wiring 20, 51

Fan (blower) Kit 1195CFK 16, 20, 51

Fire

appearance 8
ON, OFF 12. *See also Remote control*
pilot flame check 8

Fire glass. *See Fuel beds*

Fireplace. *See also Cleaning; Maintenance*
dimensions 22

fire ON, OFF 12. *See also Remote control*

first-time operation 5
location 22
pilot ON, OFF 10, 12
shut-off

automatic 10, 15
emergency 10

Fixed Framing Kit 1430FFK 21, 39, 40, 44–47

Framing 28–31. *See also Installation; Wall finishing*

cavity 28
cement board 29
dimensions 28

Fuel beds 16

flame appearance 8
installation
Decorative Glass 1400DGS 57
Decorative Glass Murano 1400DGM 56
Driftwood 1400DWK 54–55
Traditional Logs 1400LSK 58–59

Gas

conversion 16, 20
pressure test 52
smell 17
specifications 20
supply 5, 10, 20, 52
type 5, 20

Hearth 25–27, 39. *See Clearances: hearth*

insulation board Micore 21, 25–28, 39

with 1430 framing kit 45
with 1435 & 1440 surrounds 49

Hot surfaces. *See Safety*

Information card location 9

Installation

overview 21
planning 39–41
preparation 42
stand-offs 42, 46
with 1430 framing kit
appliance position 44–45
engine positioning brackets 44, 46
frame fixing brackets 44
wall finish 44
with 1435 & 1440 surrounds
appliance position 48
engine positioning brackets 50
frame fixing brackets 48–50
wall finish thickness 48, 50

Lighting instructions

information card. *See Information card location*
using manual ignition 17
using remote control 12

Liners 16

installation 53

Logs. *See Fuel beds*

Maintenance. *See also Cleaning*

annual inspection 3, 8
replacing batteries 4, 8–9
vent 3, 8

Pilot ON, OFF. *See Remote control*

Protection. *See Safety*

Remote Blower Kit 1270RBK 16, 20

Remote control 11–15, 62
1195CFK fan operation 14
automatic shut-off 10, 15
automatic turn down (to pilot) 15
batteries

handset 15, 62
receiver 15, 62
replacement 4, 8–9, 15
types 8, 15

child proof 11
countdown timer 13, 15
express LO, HI fire 12
fire ON, OFF 12
flame height 12
handset

location 64
overview 11
wall holder 9, 64
initial set-up 11, 62
modes

Eco 14
Manual 12
Program 13–14
Standby (pilot flame) 12
Thermostatic 13

setting, current time 11

setting, temperature 11, 13

Rocks & Shale. *See Fuel beds*

Safety

barrier screen 3, 4, 5, 7
batteries, removing 4, 8, 10
burns, risks of 3, 4, 5
children's protection 3, 4, 5
child proof remote control 11
gate 3, 4, 5, 16
handset wall holder 4, 9, 64
hot glass and surfaces 4, 6
hot glass warning plate 7, 61
hot hearth/floor/wall 5, 21, 25
pilot, fire OFF 4, 10
precautions 4

Service

repair 5, 9
serial, model numbers 9. *See also Information card location*
spare parts 9, 69–71

Smell 17

Specifications 20. *See also Information card location*

Surrounds 16. *See also Installation; Wall finishing*

Trims. *See Surrounds*

Vapors 5. *See also Smell*

Venting

co-axial 33–37
co-linear 37–38
components 32, 66–67
framing vent pipe 32
horizontal pipe 32
maintenance 8
outlet
conversion 42
heat shield 42
position, top or rear 31, 32, 33
restrictor position 34–35, 37
sealing joints 32
vapor barriers 32
venting chart 34
wall thickness 32

Wall finishing

cracking 41
finishing around trims 40
non-combustible cement board
minimum dimensions 29, 40
thickness 39, 48, 50

Wall Switch Kit 1265WSK 9, 16

Warranty 68

Warranty card 73–74

Window

refitting 7, 61
removal 6, 43

Wiring diagram 65

Thank You ...

For purchasing a Valor by Miles Industries. Your new radiant gas heater is a technical appliance that must be installed by a qualified installer.

Please fill in the information below. The information provided will be used for customer records only.



Fireplace Information

Model Number: 1400 IN or IP

Serial Number:

Date Purchase (yyyy-mm-dd):

Dealer:

Customer Information

First Name:

Last Name:

Contact Information

Email:

Mailing Address

Address:

City:

Province/State:

Postal/Zip Code:

Country:

Cut out page, fill information, and mail to Miles Industries Ltd.

Online Warranty registration at www.valorfireplaces.com



Tape Shut



Fold here



Postage
needed

Miles Industries Ltd.
190 - 2255 Dollarton Highway
North Vancouver, BC V7H 3B1
Canada

Online Warranty registration at www.valorfireplaces.com



Thank you for choosing a Valor Product