

valor[®] H5 1100M

July 2021

1/5

Co-Linear Venting

Applications

This appliance can be converted to install as a co-linear application. The co-linear portion of the vent system may only be installed within a solid-fuel burning fireplace and chimney.

This appliance must not be connected to a chimney flue serving a separate solid-fuel burning appliance.

Types of Installations

- Installation into an existing fireplace
- Partial installation into an existing fireplace
- Installation into an adjacent chimney

See the following pages for each installation details.

Rules for Co-Linear Venting

- Maximum 40 feet vertical pipe
- Minimum 10 feet vertical
- Maximum offset 8 feet with liners at minimum 45 degrees from horizontal plane
- Restrictor: Use #4 position for all co-linear venting applications.

NOTE

Co-linear flexible aluminum venting liners should be professionally inspected periodically for corrosion and damage and replaced when necessary. If the installation does not allow for future inspection or replacement of the flexible aluminum liners, then stainless steel vent liners are recommended.

valor H5 1100M

July 2021

2/5

Co-Linear Venting

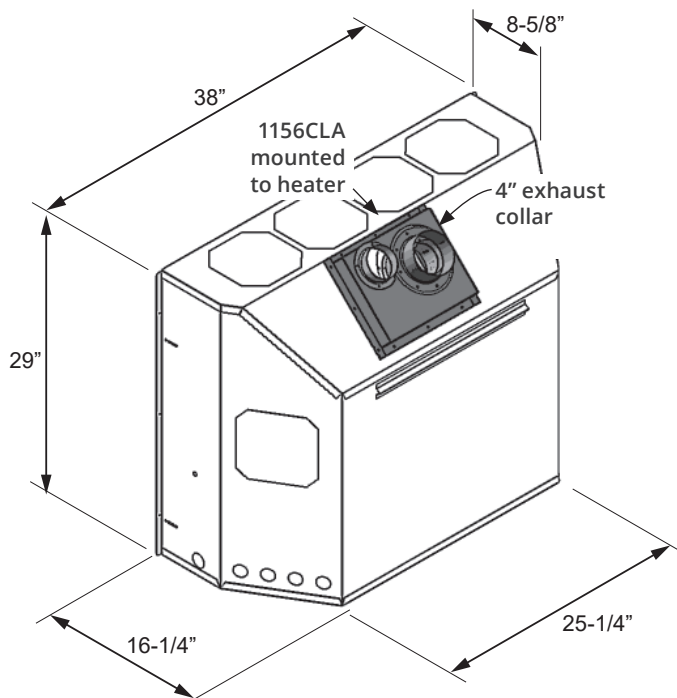
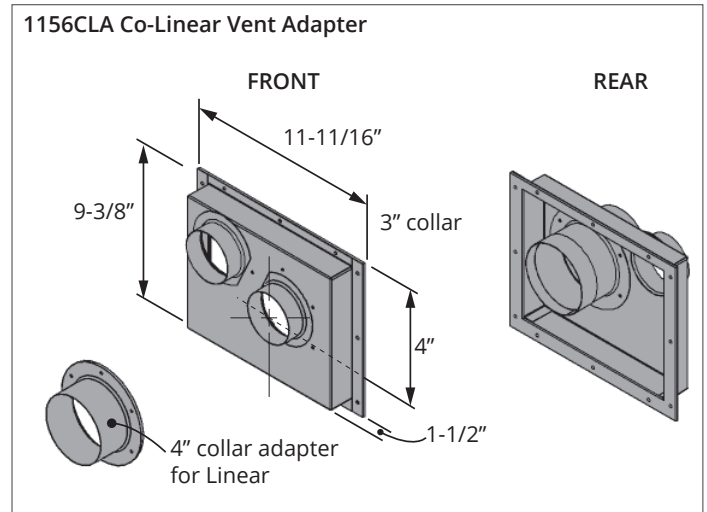
Installing Into an Existing Fireplace

Required accessories:

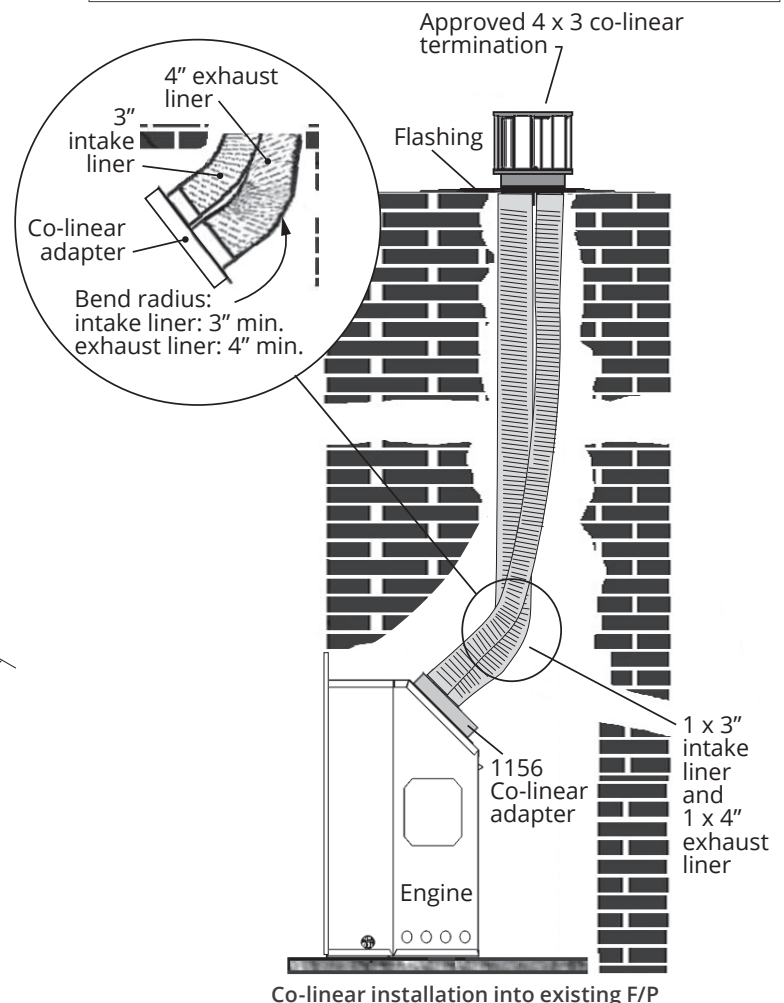
- Valor Co-axial to co-linear adapter 1156CLA;
- 2 lengths of 2-ply, flexible chimney liner approved for venting gas appliances:
 - 1 x 3-inch diameter for air inlet and
 - 1 x 4-inch diameter for exhaust;
- Co-linear termination kit 3 x 4 and flashing or co-linear to co-axial adapter and either high wind vertical vent terminal cap or a low profile vertical termination.

Note: A 3" diameter exhaust liner may be used if conditions will not allow for the 4" exhaust liner. Cold start-up problems may be experienced however when using a 3" exhaust liner.

Firebox zero clearance standoffs supplied with the heater are not required for this application.



Dimensions with Co-linear Adapter 1156CLA



Valor® H5 1100M

July 2021

3/5

Co-Linear Venting

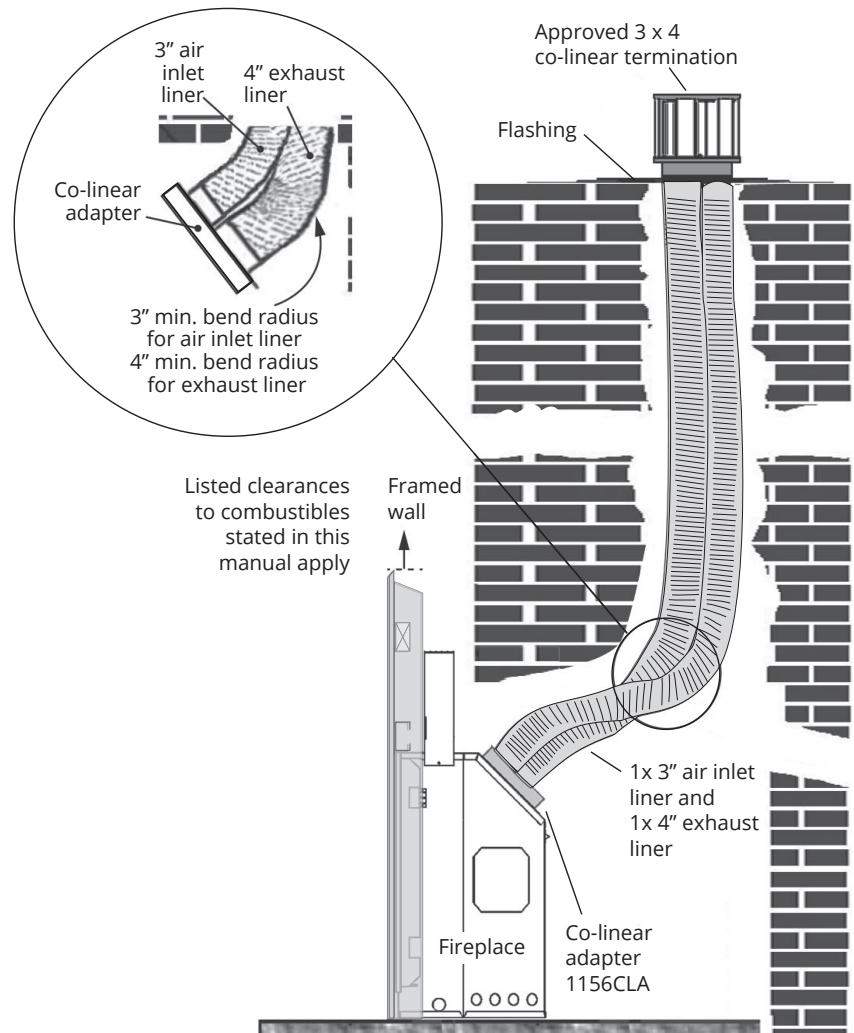
Partial Installation Into an Existing Fireplace

Required accessories:

- Co-axial to co-linear adapter at appliance Valor 1156CLA, 46DVA-GCL34 or equivalent;
- 2 lengths of 2-ply, flexible chimney liner approved for venting gas appliances:
 - 1 x 3-inch diameter for air inlet and
 - 1 x 4-inch diameter for exhaust;
- Co-linear termination kit 3 x 4 and flashing or co-linear to co-axial adapter and either high wind vertical vent terminal cap or a low profile vertical termination.

Note: A 3" diameter exhaust liner may be used if conditions will not allow for the 4" exhaust liner. Cold start-up problems may be experienced however when using a 3" exhaust liner.

This appliance must be completely framed and maintain clearances to combustibles as shown in this manual.



Co-linear installation on appliance partially into existing fireplace

Valor[®] H5 1100M

July 2021
4/5

Co-Linear Venting

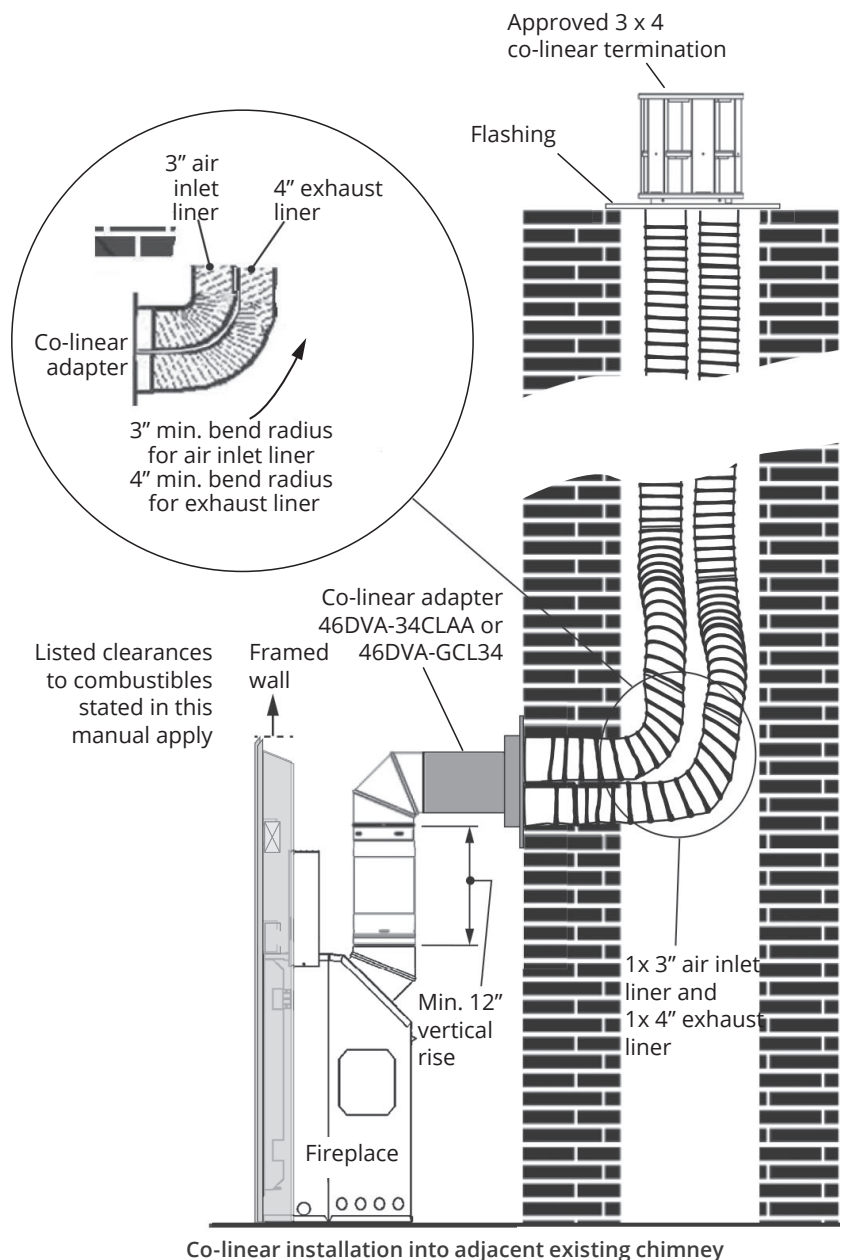
Installation Into an Adjacent Chimney

Required accessories:

- Co-axial to co-linear adapter at appliance 46DVA-34CLAA, 46DVA-GCL34 or equivalent;
- 2 lengths of 2-ply, flexible chimney liner approved for venting gas appliances:
 - 1 x 3-inch diameter for air inlet and
 - 1 x 4-inch diameter for exhaust;
- Co-linear termination kit 3 x 4 and flashing or co-linear to co-axial adapter and either high wind vertical vent terminal cap or a low profile vertical termination.

Note: A 3" diameter exhaust liner may be used if conditions will not allow for the 4" exhaust liner. Cold start-up problems may be experienced however when using a 3" exhaust liner.

This appliance must be completely framed and maintain clearances to combustibles as shown in this manual.



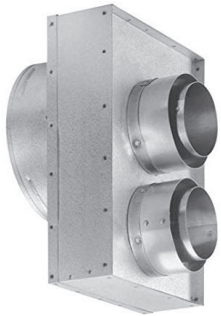
valor[®] H5 1100M

July 2021
5/5

Co-Linear Venting

Typical Co-linear Venting Components

Co-axial to Co-linear Appliance Adapters

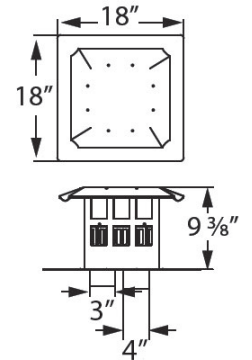
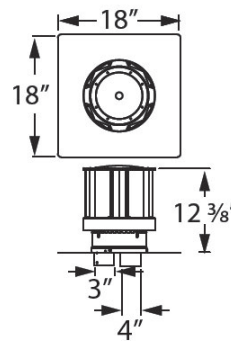


46DVA-GCL34

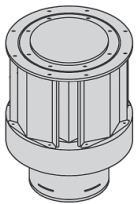


46DVA-34CLAA

Co-linear Terminal Configurations

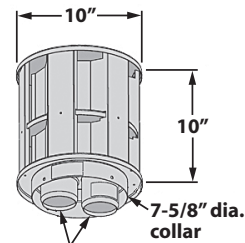
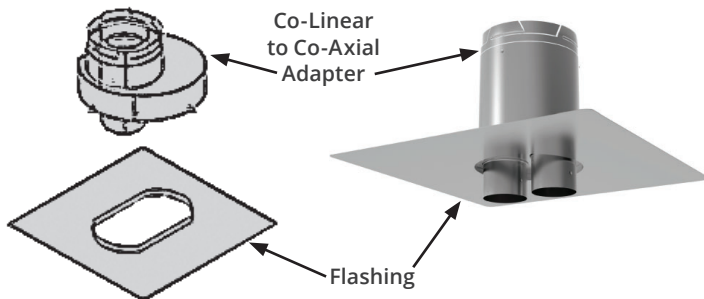


Alternate Co-linear to Co-axial Conversion at Terminal



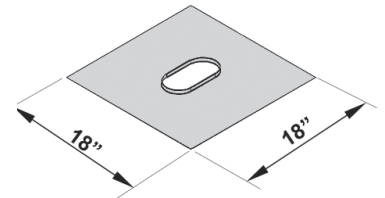
Co-axial Terminal Cap

With...



3" Inlet & Exhaust Collars. A 3" to 4" adapter can be used for the exhaust collar.

Co-Linear Terminal (typical)



Flashing Kit