

valor® H3 1000J

Co-linear Venting

October 2019
1/4

Note: Co-linear liners must only be installed within a solid fuel burning fireplace and chimney when converting at unit.

Note: Co-linear flexible aluminum venting should be professionally inspected periodically for corrosion and damage and replaced when necessary. If the installation does not allow for future inspection or replacement of the flexible aluminum venting, then stainless steel vent liners should be used.

Conversion to Co-Linear Liners with a Chimney

The appliance can be adapted to co-linear applications using an existing chimney. The appliance must not be connected to a chimney flue serving a separate solid-fuel burning appliance.

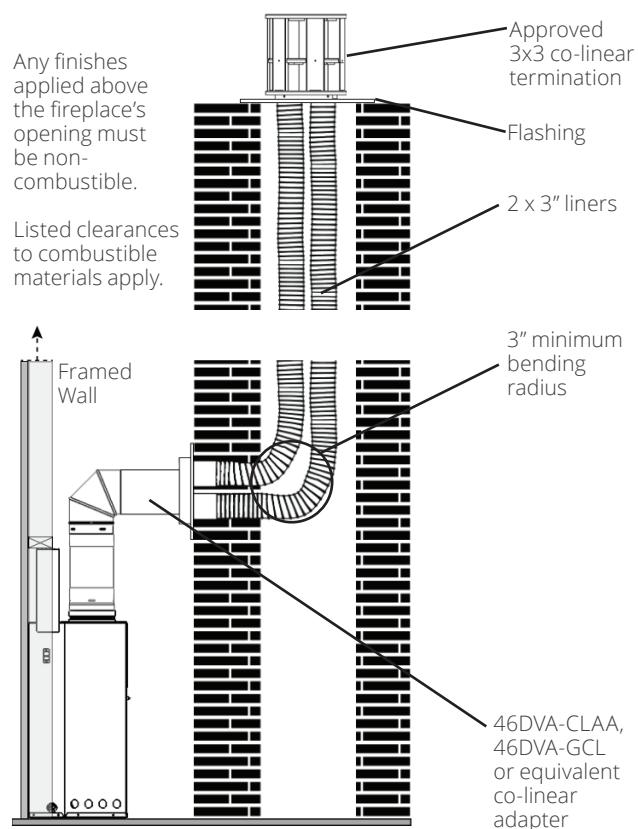
This requires an approved Co-Axial to Co-Linear appliance adapter, two lengths of 2-ply, 3" diameter flexible chimney liners approved for venting gas appliances, a co-linear termination kit and flashing or a co-linear to co-axial adapter and either a high wind vertical vent terminal cap or a low profile vertical termination.

The appliance should be installed within a fully framed wall cavity, consistent with a New Construction application as described in this document.

Rules for Co-Linear Venting

- Maximum 40 feet vertical pipe
- Minimum 10 feet vertical
- Maximum offset 8 feet with liners at minimum 45 degrees from horizontal plane
- Restrictors are not required when using co-linear venting.

Co-Linear installation using nearby/adjacent existing chimney - Conversion at chimney



Co-linear Venting

Conversion to Co-Linear Liners with a Solid Fuel Fireplace

The appliance can be adapted to co-linear applications using an existing fireplace and cavity. The appliance must not be connected to a chimney flue serving a separate solid-fuel burning appliance.

This requires an approved Co-Axial to Co-Linear appliance adapter, two lengths of 2-ply, 3" diameter flexible chimney liners approved for venting gas appliances, a co-linear termination kit and flashing or a co-linear to co-axial adapter and either a high wind vertical vent terminal cap or a low profile vertical termination.

If the fireplace has an opening in the installation area, the appliance can be partially or completely inserted into the cavity as illustrated to the right.

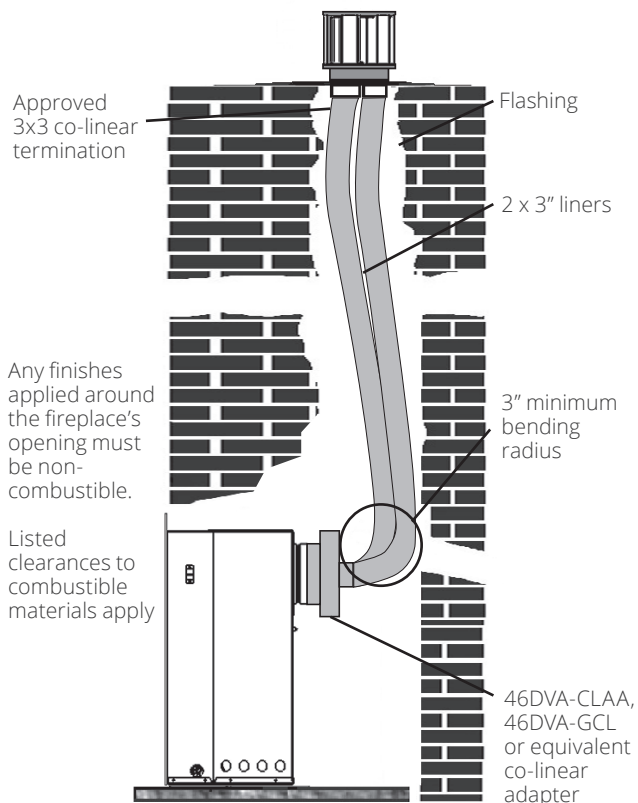
If partially inserted, the appliance should be installed within a fully framed wall, consistent with a New Construction application as described in this document.

Firebox zero clearance standoffs supplied with the heater are not required when installing completely within a non-combustible cavity.

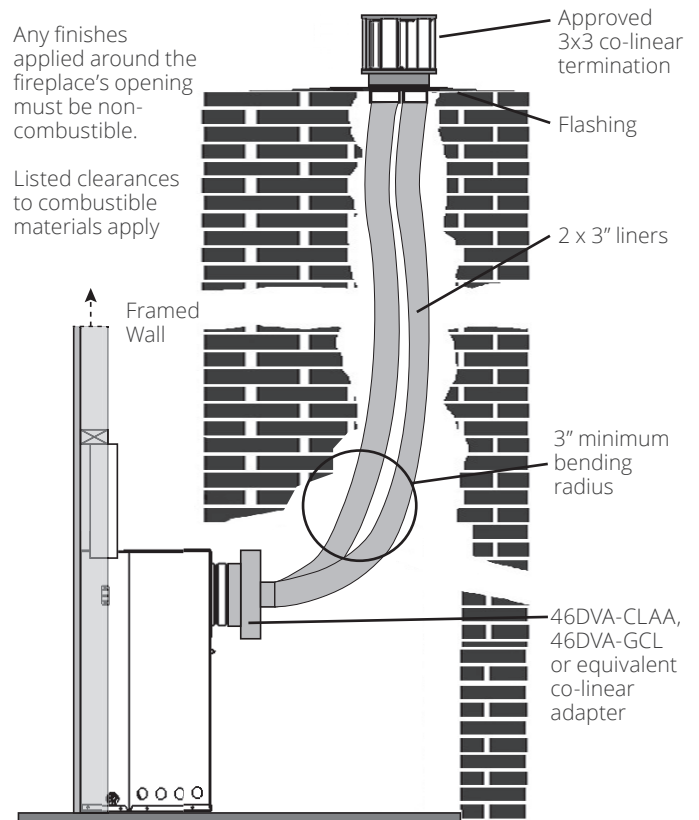
Rules for Co-Linear Venting

- Maximum 40 feet vertical pipe
- Minimum 10 feet vertical
- Maximum offset 8 feet with liners at minimum 45 degrees from horizontal plane
- Restrictors are not required when using co-linear venting.

Co-Linear installation fully inserted into existing fireplace - Conversion at unit



Co-Linear installation partially inserted into existing fireplace - Conversion at unit



Valor® H3 1000J

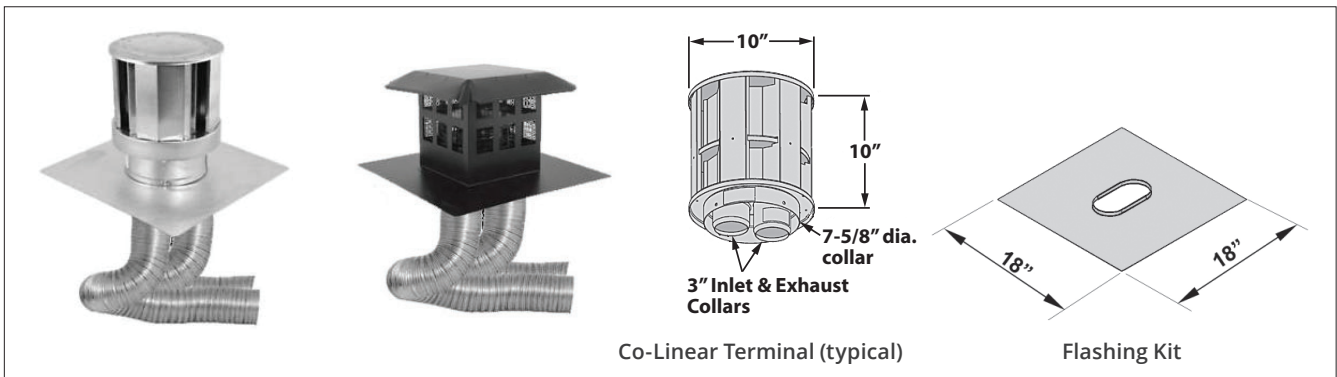
October 2019
3/4

Co-linear Venting

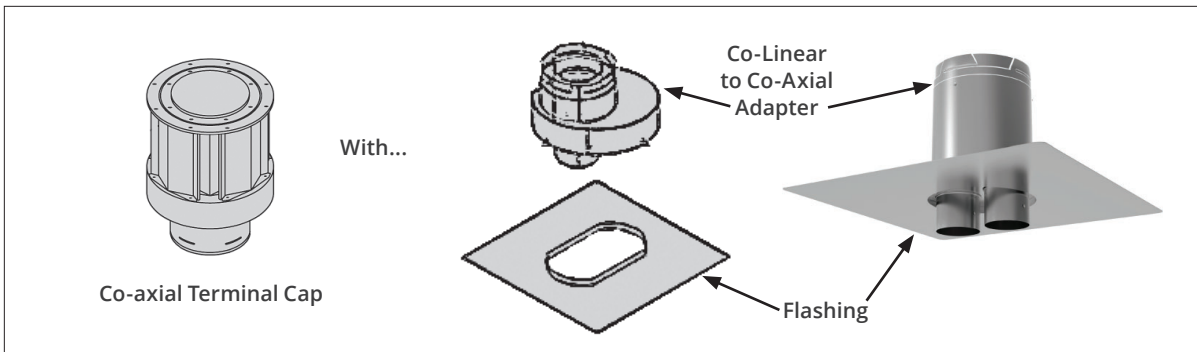
Examples of Co-axial to Co-linear Adapters



Examples of Co-linear Terminal Configurations



Alternate Co-linear to Co-axial Conversion at Terminal



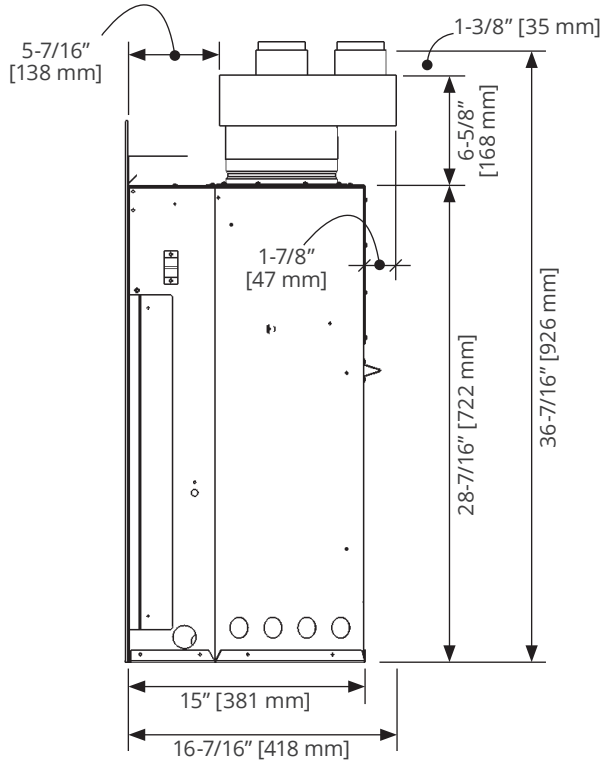
valor[®] H3 1000J

October 2019
4/4

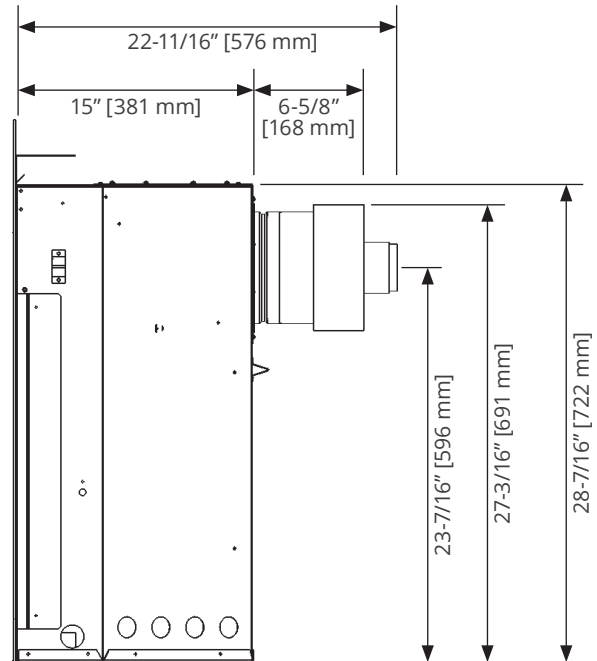
Co-linear Venting

Appliance Dimensions with Typical Adapter (Adapter can mount in any orientation)

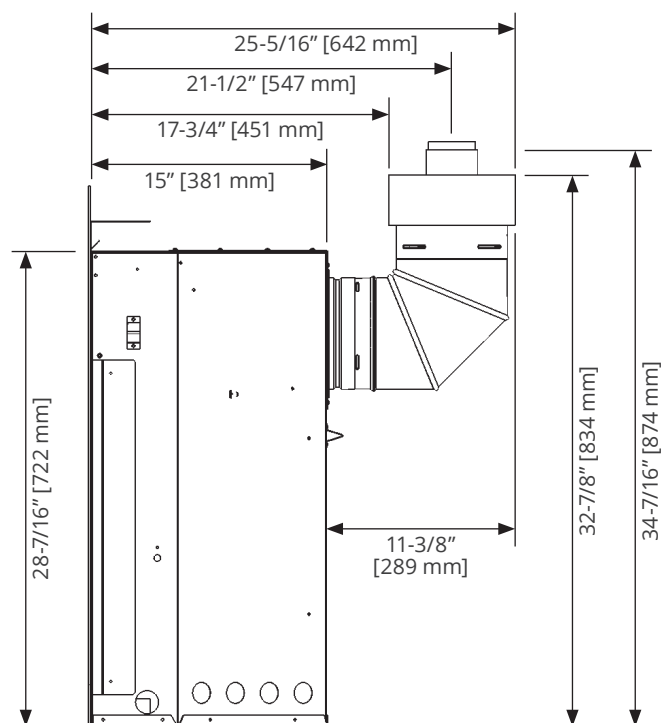
Co-linear Conversion - Top Outlet



Co-linear Conversion - Rear Outlet



Co-linear Conversion - Rear Outlet with Elbow



Note: Dimensions may vary depending on make and model of elbow used.