



retrofire

Patents Pending

Model RF24DN/DP Direct Vent Fireplace Insert Installation and Owner's Manual

WARNING



**HOT GLASS WILL
CAUSE BURNS.**

**DO NOT TOUCH GLASS
UNTIL COOLED.**

**NEVER ALLOW CHILDREN
TO TOUCH GLASS.**



**INSTALLER: Leave this manual
with the appliance.
CONSUMER: Retain this manual
for future reference.**

WARNING: If the information in these instructions is not followed exactly, a fire or explosion may result causing property damage, personal injury or loss of life.

Do not store or use gasoline or other flammable vapors and liquids in the vicinity of this or any other appliance.

WHAT TO DO IF YOU SMELL GAS

- Do not try to light the appliance.
- Do not touch any electrical switch; do not use any phone in your building.
- Immediately call your gas supplier from a neighbor's phone. Follow the gas supplier's instructions.
- If you cannot reach your gas supplier, call the fire department.

Installation and service must be performed by a qualified installer, service agency or the gas supplier.

Please read this manual BEFORE installing and operating this appliance.

This appliance may be installed in an after-market permanently located, manufactured (mobile) home where not prohibited by local codes.

This appliance is only for use with the type of gas indicated on the rating plate. This appliance is not convertible for use with other gases, unless a certified kit is used.

This appliance is a domestic room-heating appliance. It must not be used for any other purposes such as drying clothes, etc.

This appliance is suitable for installation in a bedroom or bed sitting room.

Massachusetts: The piping and final gas connection must be performed by a licensed plumber or gas fitter in the State of Massachusetts.

Manufactured by
MILES INDUSTRIES LTD., British Columbia, Canada
www.valorfireplaces.com

Thank You ...

For purchasing a Valor Retrofire. Your new radiant gas heater is a technical appliance that must be installed by a qualified dealer. Each Retrofire is fully tested during the production process for your safety and comfort.


Your unit has been professionally installed by:

Dealer Name _____

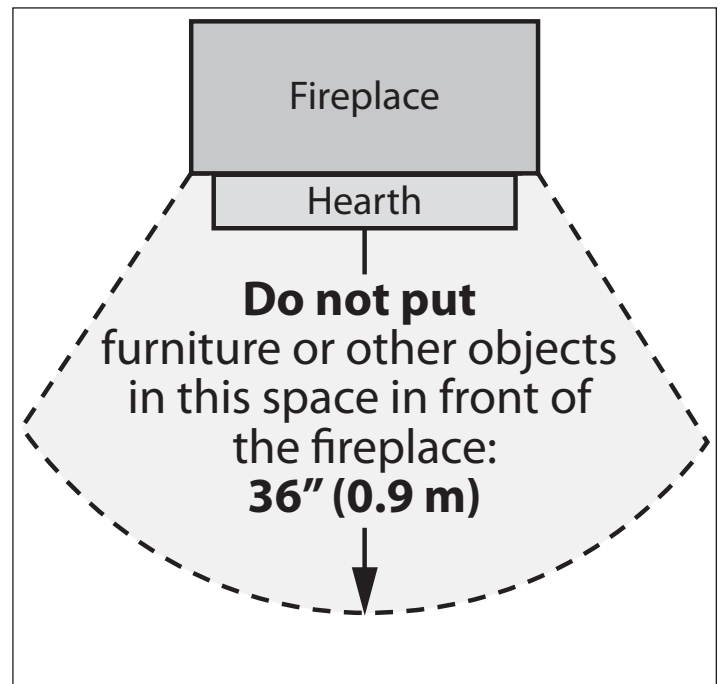
Phone Number _____

**Should you encounter an operational problem, call your dealer immediately.
Do not try to repair the unit as you may cause an injury or damage the fireplace.**

The information contained in this installation manual is believed to be correct at the time of printing. Miles Industries Ltd. reserves the right to change or modify any information or specifications without notice. Miles Industries Ltd. grants no warranty, implied or stated, for the installation or maintenance of your heater, and assumes no responsibility for any consequential damage(s).



We recommend that our gas hearth products be installed and serviced by professionals who are certified in the United States by NFI (National Fireplace Institute®).



Designed and Manufactured by / for
Miles Industries Ltd.
190-2255 Dollarton Highway, North Vancouver, BC, CANADA V7H 3B1
Tel. 604-984-3496 Fax 604-984-0246
www.valorfireplaces.com
© Copyright Miles Industries Ltd., 2010

Table of Contents

Safety and Warning Information.....	4
◇ Specifications	5
◇ Dimensions	6
Vent Configurations.....	7
Vent Termination.....	8
Existing Fireplace Preparation	10
Supply Gas Installation	11
Vent Liner Rough-in.....	12
Appliance Preparation.....	12
Firebox Installation.....	13
Ceramic Fuel Bed Installation	15
Window Refitting and Checking.....	17
◇ Remote Control Installation.....	17
Operation Check and Aeration Adjustment	18
Cast Iron Fret Installation	18
◇ Owner’s Information.....	19
Remote Control Operation.....	20
Options	22
Approved Venting Components	22
Lighting Instructions	23
Warranty	24
◇ Parts.....	25

◇ = Updated content

Safety and Warning Information

READ and **UNDERSTAND** all instructions carefully before starting the installation. **FAILURE TO FOLLOW** these installation instructions may result in possible fire hazard and will void the warranty.

Prior to the first firing of the fireplace, **READ** the Owner's Information section of this manual.

DO NOT USE this appliance if any part has been under water. Immediately, **CALL** a qualified service technician to inspect the unit and to replace any part of the control system and any gas control that has been under water.

THIS UNIT IS NOT FOR USE WITH SOLID FUEL.

Installation and repair should be **PERFORMED** by a qualified service person. The appliance and venting system should be **INSPECTED** before initial use and at least annually by a professional service person. More frequent cleaning may be required due to excessive lint from carpeting, bedding, etc. It is **IMPERATIVE** that the unit's control compartment, burner, and circulating air passageways **BE KEPT CLEAN** to provide for adequate combustion and ventilation air.

Always **KEEP** the appliance clear and free from combustible materials, gasoline, and other flammable vapors and liquids.

NEVER OBSTRUCT the flow of combustion and ventilation air. Keep the front of the appliance **CLEAR** of all obstacles and materials for servicing and proper operation.

Due to the high temperature, the appliance should be **LOCATED** out of traffic areas and away from furniture and draperies. Clothing or flammable material **SHOULD NOT BE PLACED** on or near the appliance.

Children and adults should be **ALERTED** to the hazards of high surface temperature and should **STAY AWAY** to avoid burns or clothing ignition.

YOUNG CHILDREN should be **CAREFULLY SUPERVISED** when they are in the same room as the appliance. Toddlers, young children and others may be susceptible to **ACCIDENTAL CONTACT BURNS**. A physical barrier is recommended if there are at risk individuals in the house. To restrict access to a fireplace or stove, **INSTALL AN ADJUSTABLE SAFETY GATE** to keep toddlers, young children and other at risk individuals out of the room and away from hot surfaces.

This unit **MUST** be used with a vent system as described in this installation manual. **NO OTHER** vent system or components **MAY BE USED**.

This gas fireplace and vent assembly **MUST** be vented directly to the outside and **MUST NEVER** be attached to a chimney serving a separate solid fuel burning appliance. Each gas appliance **MUST USE** a separate vent system. Common vent systems are **PROHIBITED**.

INSPECT the external vent cap on a regular basis to make sure that no debris, plants, trees, shrubs are interfering with the air flow.

The glass door assembly **MUST** be in place and sealed before the unit can be placed into safe operation.

DO NOT OPERATE this appliance with the glass door removed, cracked, or broken. Replacement of the glass door should be performed by a licensed or qualified service person. **DO NOT** strike or slam the glass door.

The glass door assembly **SHALL ONLY** be replaced as a complete unit, as supplied by the fireplace manufacturer. **NO SUBSTITUTE** material may be used.

DO NOT USE abrasive cleaners on the glass door assembly. **DO NOT ATTEMPT** to clean the glass door when it is hot.

TURN OFF the gas before servicing this appliance. It is recommended that a qualified service technician perform an appliance check-up at the beginning of each heating season.

Any safety screen or guard removed for servicing **MUST BE REPLACED** before operating this appliance.

DO NOT place furniture or any other combustible household objects within 36" of the fireplace front.

BE CAREFUL not to put any decorating objects sensitive to heat to close above or around the fireplace as it gets very hot when operating.

DO NOT use this heater as a temporary source of heat during construction.

This appliance is a **DOMESTIC ROOM-HEATING APPLIANCE**. It must not be used for any other purposes such as drying clothes, etc.

State of California. Proposition 65 Warning. Fuels used in gas, wood-burning or oil fired appliances, and the products of combustion of such fuels, contain chemicals known to the State of California to cause cancer, birth defects and other reproductive harm. California Health & Safety Code Sec. 25249.6.

Safety and Warning Information

Operating Your Fireplace for the First Time

When operating your new fireplace for the first time, some vapors may be released due to the burning of curing compounds used in the manufacture of the appliance. They may cause a slight odor and could cause the flames to be the full height of the firebox, or even slightly higher, for the first few hours of operation.

It is also possible that these vapors could set off any smoke detection alarms in the immediate vicinity. These vapors are quite normal on new appliances. We recommend opening a window to vent the room. After a few hours use, the vapors will have disappeared and the flames will be at their normal height.

Specifications

This appliance is intended for installation **into existing masonry or factory-built, solid-fuel burning fireplaces only.**

Approvals and Codes

This appliance is certified to ANSI Z21.88-2009 / CSA 2.33-2009 American National Standard / CSA Standard for *Vented Gas Fireplace Heaters* for use in Canada and the USA and to CGA 2.17-91 *High Altitude Standard in Canada*. This appliance is for direct vent installation terminating at the roof only.

Model RF24DVN is for use with Natural Gas only.

Model RF24DVP is for use with LPG only.

Conversion between fuels may only be done using the approved conversion kits listed in the section *Options*.

This appliance complies with CSA P4.1-09 *Testing method for measuring annual fireplace efficiencies*.

The installation must conform to local codes or, in the absence of local codes with the *National Fuel Gas Code, ANSI Z223.1* or the *Canadian Installation Code CAN/CGA-B149*. Only qualified licensed or trained personnel should install this appliance.

This appliance, when installed, must be electrically grounded in accordance with local codes, or in the absence of local codes, with the *National Electrical Code, ANSI/NFPA 70* or the *Canadian Electrical Code, CSA C22.1*.

Ratings

Model	NG	LPG
Gas	Natural	Propane
Altitude (Ft.)*	0-4,500 feet*	
Input Maximum (Btu/h)	24,000	24,000
Input Minimum (Btu/h)	10,500	10,500
Manifold Pressure (in w.c.)	3.95	9.5
Minimum Supply Pressure (in w.c.)	5.0	11.0
Maximum Supply Pressure (in w.c.)	10.5	14.0
Main Burner Injector Marking	82-580	92-260
Pilot Injector Marking	51	30

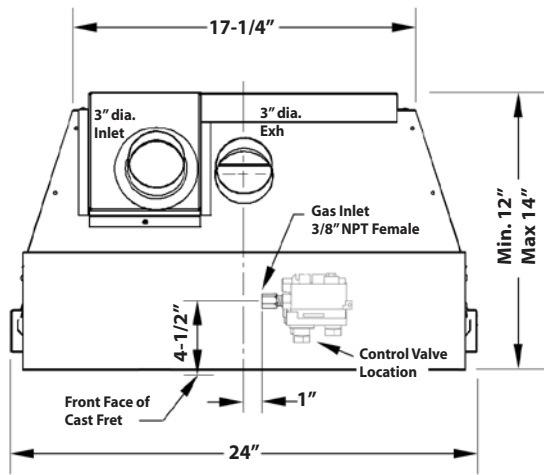
*High Altitude Installations

Input ratings are shown in BTU per hour and are certified without deration for elevations up to 4,500 feet (1,370 m) above sea level.

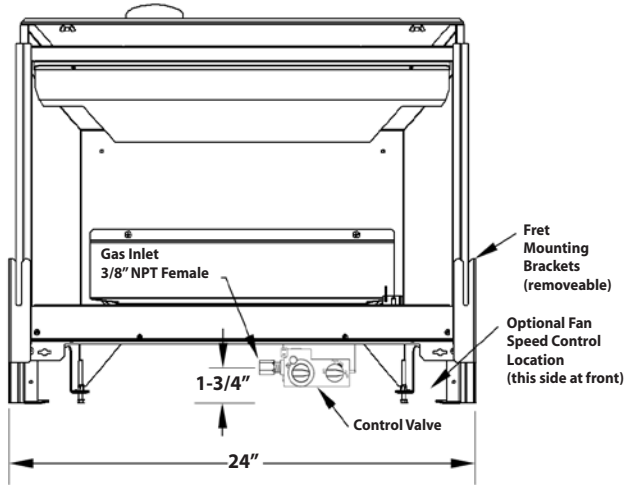
For elevations above 4,500 feet (1,370 m) in USA, installations must be in accordance with the current ANSI Z223.1 and/or local codes having jurisdiction. In Canada, please consult provincial and/or local authorities having jurisdiction for installations at elevations above 4,500 feet (1,370 m).

Dimensions

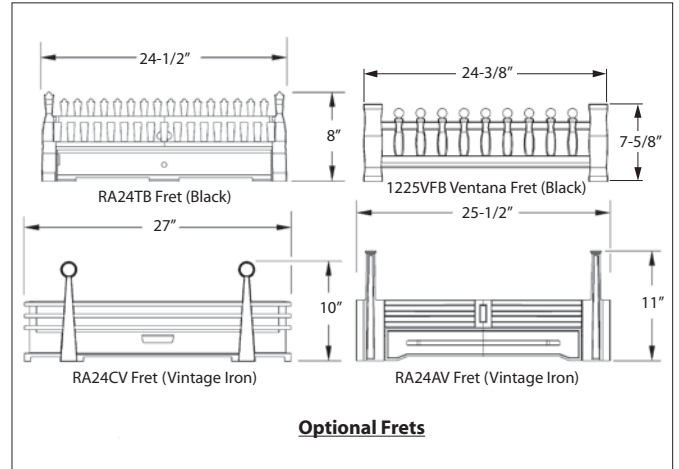
Dimensions



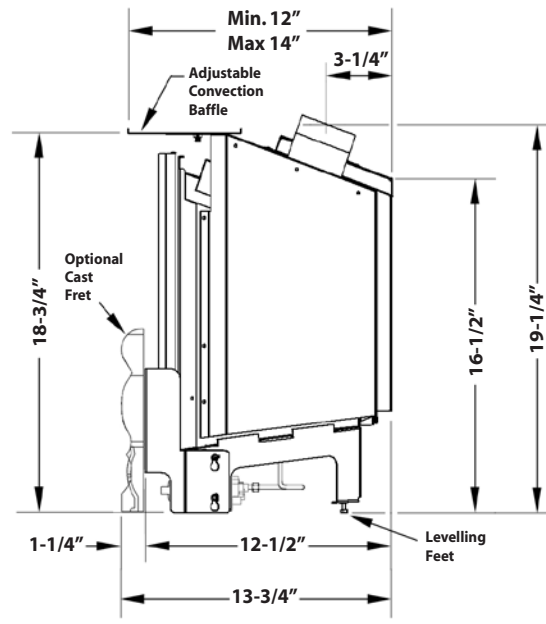
Top View



Front View



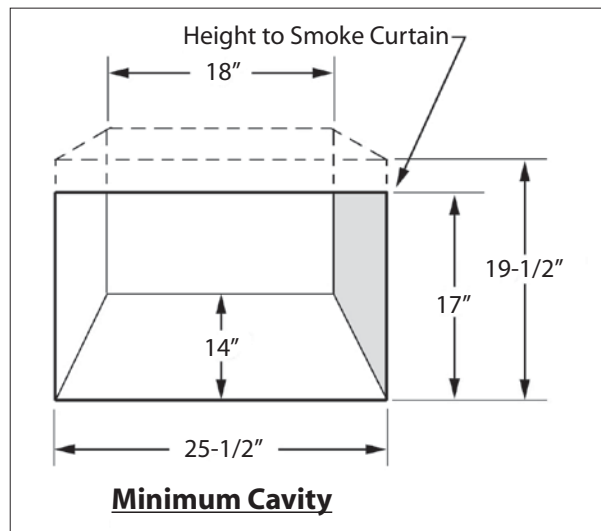
Optional Frets



Side View

Minimum Cavity Dimensions

The diagram shows minimum dimensions required to install the RF24. Cavities having a combination of all the minimum dimensions shown, although possible, may prove to be difficult installations.



Minimum Cavity

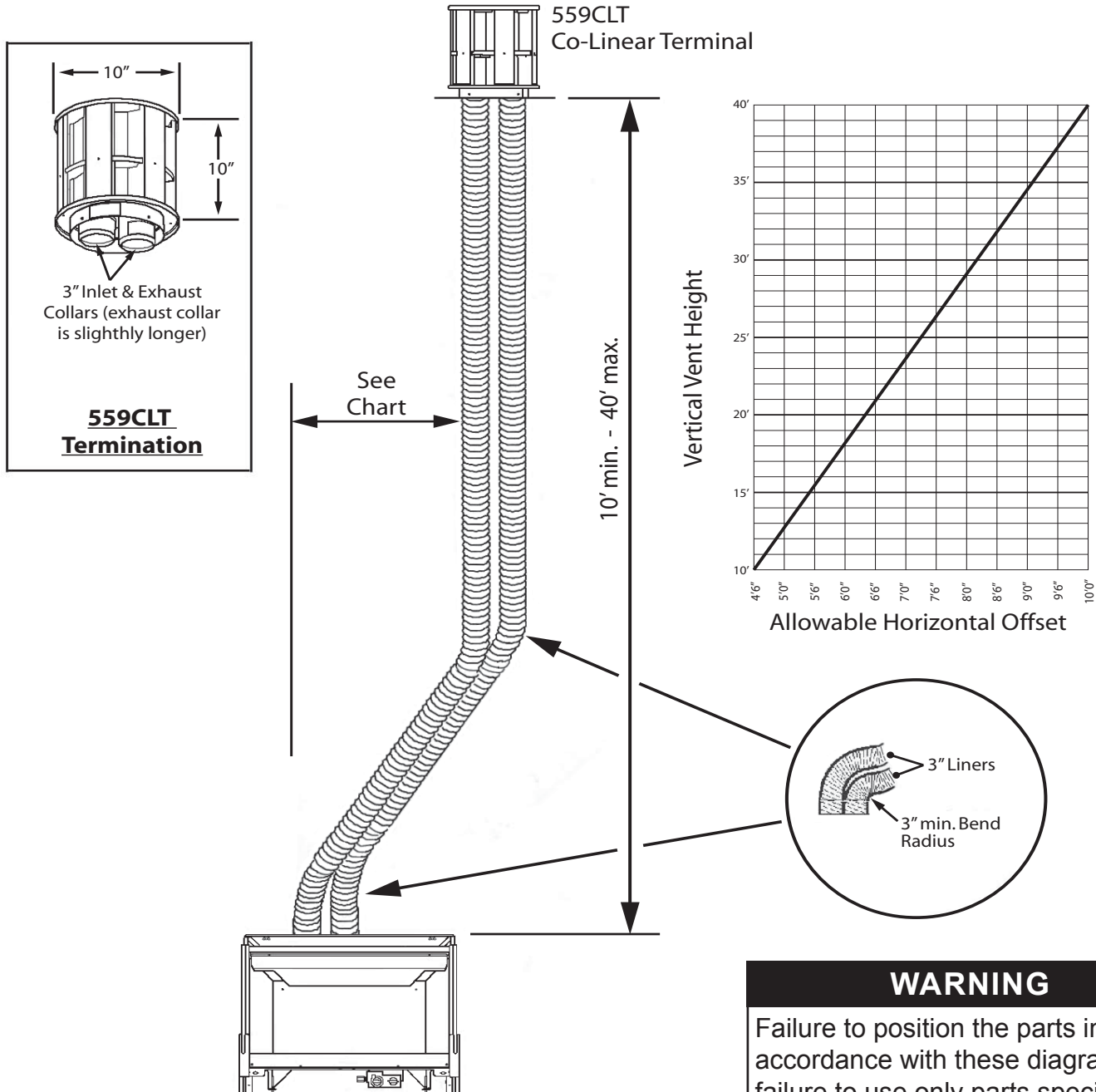
Vent Configurations

Allowable Vent Configurations

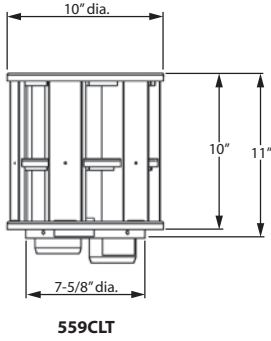
The RF24 is certified for use with approved 3" diameter flexible venting installed into an approved existing solid fuel burning masonry or factory built chimney system. The venting system must terminate vertically at the roof using an approved termination cap. Both inlet and exhaust liners must be run continuously from appliance to roof termination.

Where possible, avoid joints in flex pipe. If joints are required, use only connectors approved by the manufacturer of the flex pipe. Field fabricated joints are not allowed.

Any generic 3" diameter flexible venting **approved for venting gas appliances** is acceptable. See list of the approved venting components on page 22 of this manual.



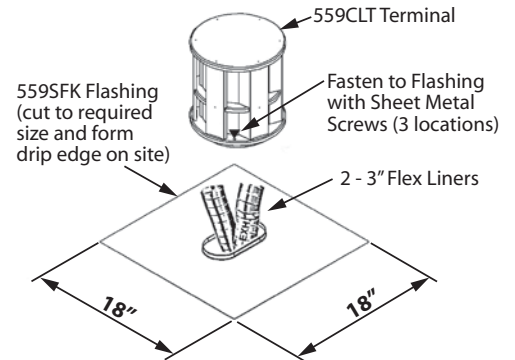
Vent Termination



The RF24 is approved for **Vertical Co-Linear Termination Only**. Two 3" diameter liners are required from top to bottom. The vent liners must be connected to the proper collars (intake and exhaust) or the unit will not operate properly. The method of flashing will depend on whether the liners are installed into a rectangular masonry or round factory-built solid-fuel burning chimney. **It is important to seal the gap at the top of the chimney in either case to avoid convective air loss up the chimney.** The integrity of the air-cooled function of factory-built chimney systems must be maintained when installing terminations. **Termination of the chimney may need to be completed after the RF24 firebox is installed and the slack vent liner pulled up—see Section *Firebox Installation*.**

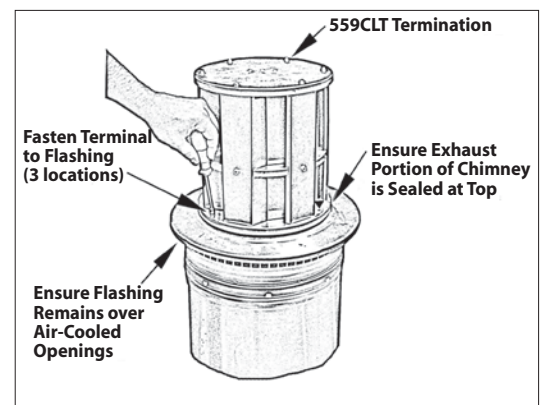
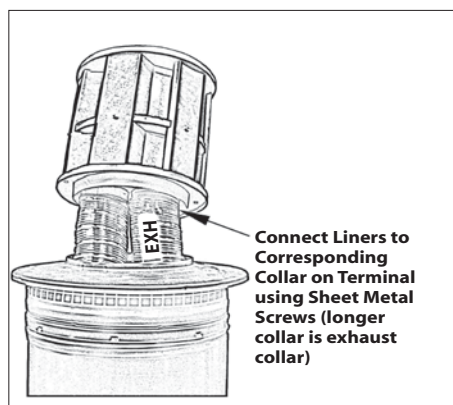
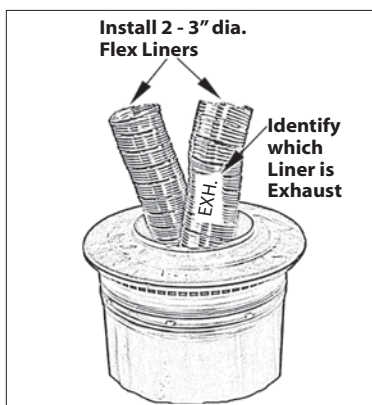
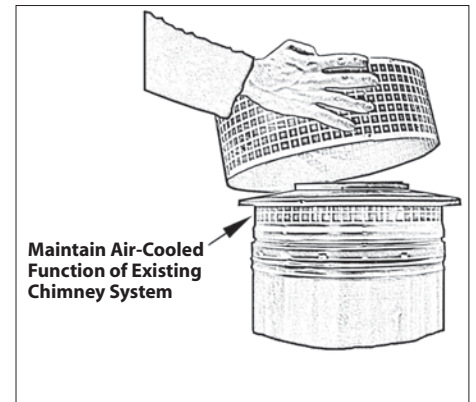
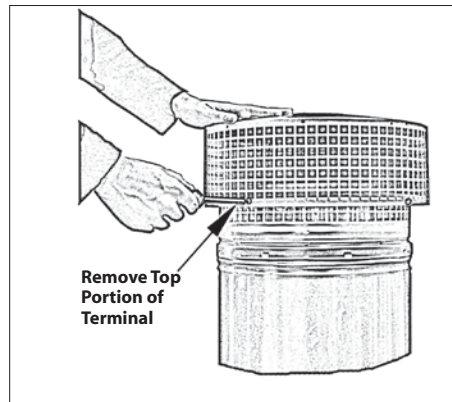
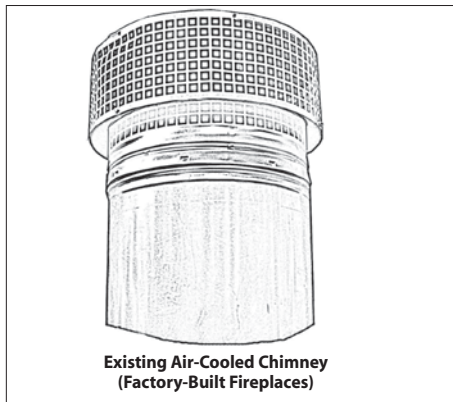
Existing Square Chimneys

559CLT Co-Linear Terminal and **559SFK** Square Flashing Kit are recommended—see list of approved venting accessories on page 22. Cut flashing kit to size. Allow extra around perimeter for drip edge to be formed on site. Seal flashing to top of chimney using sealant (not supplied). Fasten terminal to flashing using sheet metal screws as shown.



Existing Round Factory-Built Chimneys

The 559CLT terminal is designed to fit existing 7" or 8" diameter factory-built round chimneys without requiring additional flashing. Ensure the installation of the terminal seals off the top of the chimney space to avoid convective air loss. The diagrams below show a typical terminal installation for an 8" diameter air-cooled chimney system.

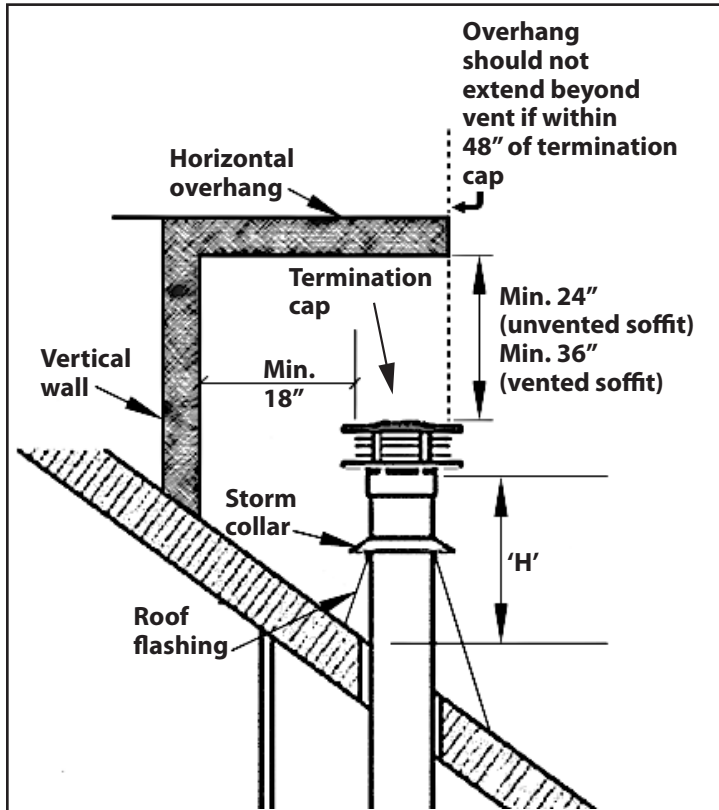


Vent Termination

Vent Terminal Location

The venting system for this appliance is considered to be a **Special Venting System**. The rule in the Installation Code CAN/CGA-B149 requiring a minimum vent height of 2 feet above any portion of a building within 10 feet does not, therefore, apply.

Clearances for Vent Terminal



Roof Pitch	Minimum 'H' (feet)
Flat to 7/12	1'
over 7/12 to 8/12	1.5'
over 8/12 to 9/12	2'
over 9/12 to 10/12	2.5'
over 10/12 to 11/12	3.25'
over 11/12 to 12/12	4'
over 12/12 to 14/12	5'

Existing Fireplace Preparation

A few points must be considered before inserting the RF24 into an existing fireplace cavity. Generally, no modifications are allowed to the existing fireplace that will compromise the integrity of the existing fireplace. Components that are bolted or screwed on such as dampers or baffles may be removed to accommodate the installation of the RF24 engine. **Cutting away any sheet metal parts of the existing fireplace to accommodate the installation of the RF24 is prohibited.** Check with local authorities if in doubt.

Clean Fireplace and Chimney

Have the chimney swept and the fireplace cavity including ash dumps and clean-outs cleaned before installing the RF24 heater and vent liners. Any creosote or soot residue remaining in the fireplace cavity, chimney, or clean-out may cause odors or stains once the RF24 insert is installed. Consult with chimney sweep for information on how best to clean.

Existing Dampers

Factory-built, zero-clearance fireplaces will require the damper to be removed in order to install the vent liners. These dampers are usually bolted into place. Dampers in masonry fireplaces must be fixed open and may remain in place.

Ash Retaining Curbs

Some fireplaces (particularly factory-built) have a raised curb at the front edge to retain ashes. Check the dimensions carefully to ensure the RF24 engine will fit behind any raised curb (some curbs may be removed separately from the refractory base). The fret retainers allow for some vertical adjustment of the cast iron fret should the fret need to sit on top of the curb, otherwise the fret will need to be eliminated or adequate room provided behind the curb.

Gas Line Routing

Plan the routing of the gas line before proceeding. Utilize the existing hole for the gas line. If the factory-built fireplace has no access hole, carefully drill an access hole of 1.5 inch (38 mm) or less through the lower sides or bottom of the firebox. The access hole must be plugged with non-combustible insulation after the gas supply line has been installed. See General Dimension drawing for detailed location of gas inlet. Also, take into consideration whether or not a fan or shut-off valve will interfere when planning routing of the gas line.

Existing Glass Doors and Wire Screens

Existing glass doors must be permanently removed prior to installing the RF24 insert. Existing wire fire screens may remain in place or new ones may be added. The RF24 has been tested and approved to operate with wire fire screens in the closed or open positions.

Combustible Mantels

Combustible mantel clearances must conform to those required for the original solid-fuel fireplace into which the RF24 is being installed.

Paint Existing Refractory Liners

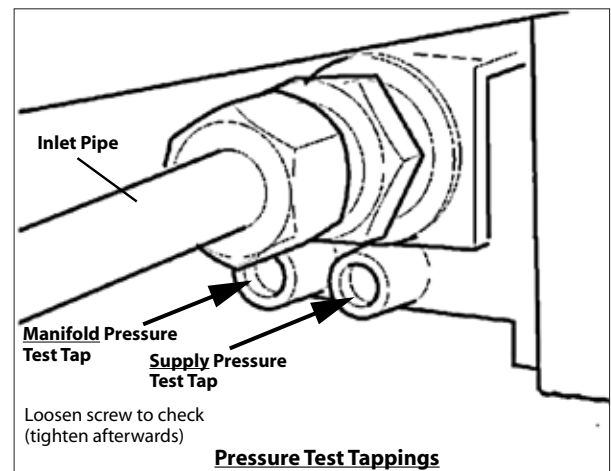
It may be desirable, for visual reasons, to paint the existing refractory liners in black to blend in with the RF24 insert once installed.

Attach Warning Label to Existing Fireplace (label supplied loose with RF24 heater)

Attach the "This fireplace has been converted..." label to the existing fireplace using screws or other mechanical means and store any removed parts in back of the existing fireplace for future use.

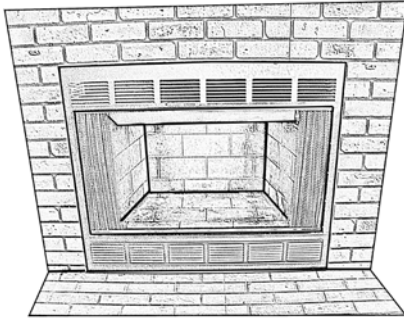
Supply Gas

- It's preferable to rough-in the gas line at this point before proceeding with the firebox installation.
- The gas supply inlet connection is a 3/8" NPT female connector. For detailed location of this connector, see drawing in section *Dimensions*. If a circulating fan or isolating valve is to be installed, adjust the routing of the gas line to suit.
- Use only new black iron or steel pipes or copper tubing if acceptable—check local codes. Note that in USA, copper tubing must be internally tinned for protection against sulfur compounds.
- Unions in gas lines should be of ground joint type.
- The gas supply line must be sized and installed to provide a supply of gas sufficient to meet the maximum demand of the appliance without undue loss of pressure.
- Sealant used must be resistant to the action of all gas constituents including LP gas. Sealant should be applied lightly to male threads to ensure excess sealant does not enter gas lines.
- The supply line should include a manual shut-off valve and union to allow the appliance to be disconnected for servicing.
- Pressure test the supply line for leaks.
- The appliance and its individual shut-off valve must be disconnected from the gas supply piping system during any pressure testing of that system at test pressures in excess of ½ psig (3.5 kPa).
- The appliance must be isolated from the gas supply piping system by closing its individual manual shut-off valve during any pressure testing of the gas supply piping system at test pressures equal to or less than ½ psig (3.5 kPa).
- Failure to either disconnect or isolate the appliance during pressure testing may result in regulator or valve damage. Consult your dealer in this case.
- The minimum supply pressure is given in the section *Specifications* of this manual.
- All piping and connections must be tested for leaks after installation or servicing. All leaks must be corrected immediately.
- When testing for leaks:
 - Make sure that the appliance is turned off.
 - Open the manual shut-off valve.
 - Test for leaks by applying a liquid detergent or soap solution to all joints. Bubbles forming indicate a gas leak.**Never use an open flame to check for leaks.**
 - Correct any leak detected immediately.
- The pressure test tapping locations are shown in figure above. A built-in non-adjustable regulator controls the burner manifold pressure. The correct pressure range is shown in the table in section *Specifications* of this manual. The pressure check should be made with the burner alight and at its highest setting. See *Lighting Instructions* section for full operating details.

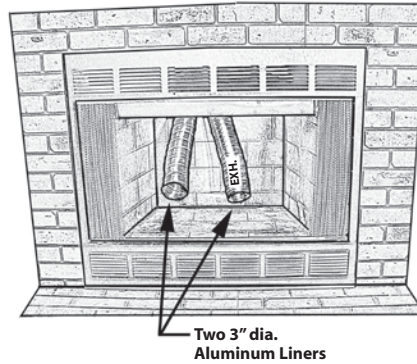


Vent Liner Rough-in

Rough-in the two 3" diameter vent liners into existing chimney system being careful not to tear or damage the liners in the process. It may be easier to install both liners at the same time rather than one at a time. Leave plenty of liner at the bottom end if the Heater will be connected while on the hearth (see diagram). When connecting the liner in this manner **it is best to leave the top termination until later** so the slack liner can be lifted after the insert is in place (see separate section for top termination). **Designate and mark the top and bottom of one liner as "EXHAUST" to avoid confusion later.**



Existing Fireplace

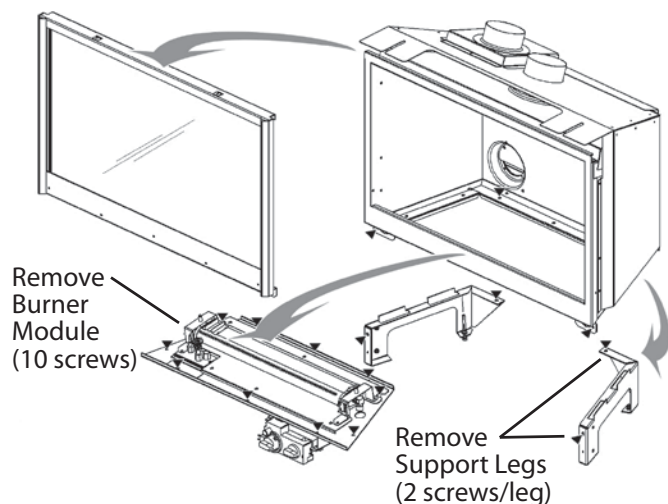
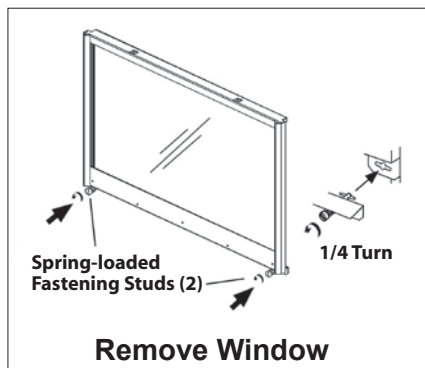


Rough-In Liners

Appliance Preparation

The size of the existing fireplace cavity will affect the method of installation. Smaller fireplaces, particularly factory-built zero-clearance fireplaces will require the RF24 firebox to be disassembled then reassembled inside the fireplace. Plan your particular installation accordingly.

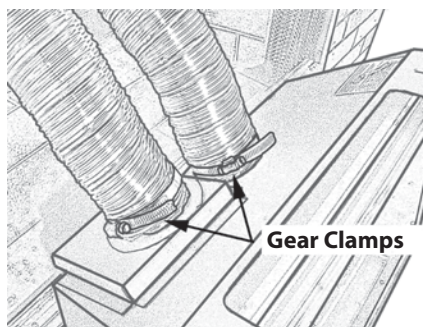
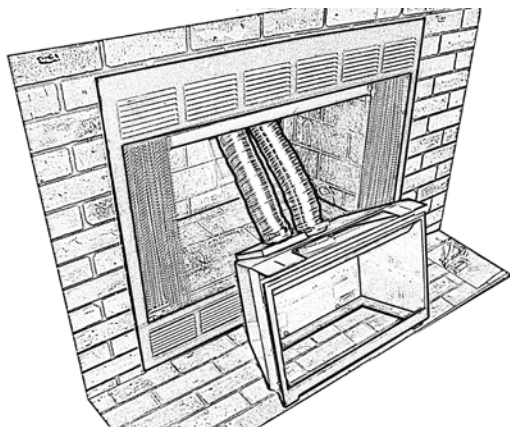
- Unpack appliance.
- Remove window.
- Remove log pack from firebox.
- Strip firebox down by removing:
 - Burner Module (10 screws),
 - Support Legs (2 screws per leg) (required when inserting into small fireplaces only)



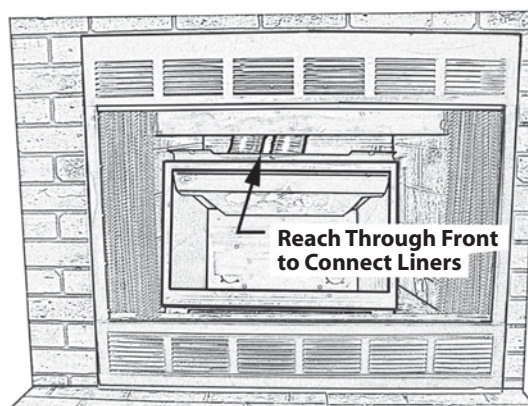
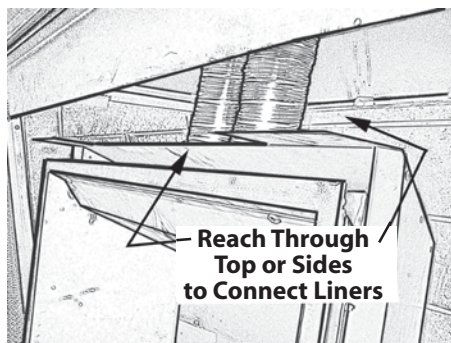
Firebox Installation

Connection of liners to firebox

Trim liners if necessary and connect to the firebox either while the firebox is on the hearth or with the firebox in the cavity. Use gear clamps provided to connect the liners to the firebox. If the liners are connected with the firebox on the hearth, it will be necessary to pull the slack liner up from the top of the chimney after the firebox is installed.



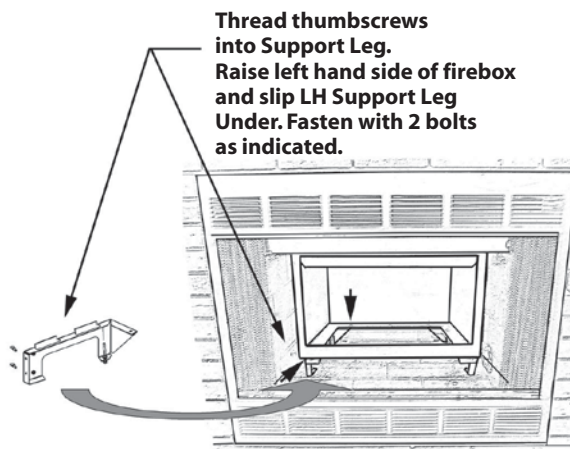
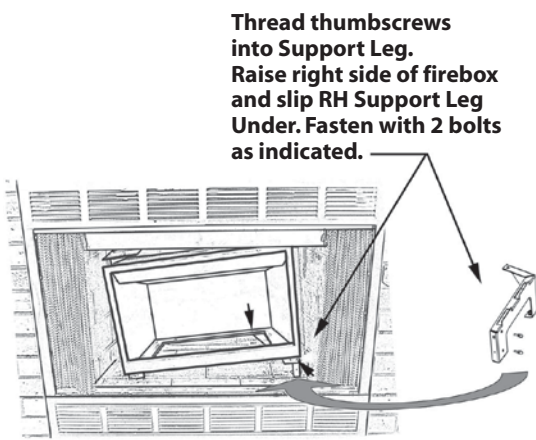
Option 1 - Connect liners with Firebox on Hearth



Option 2 - Connect Liners in Fireplace

Support Legs Reinstallation (if removed)

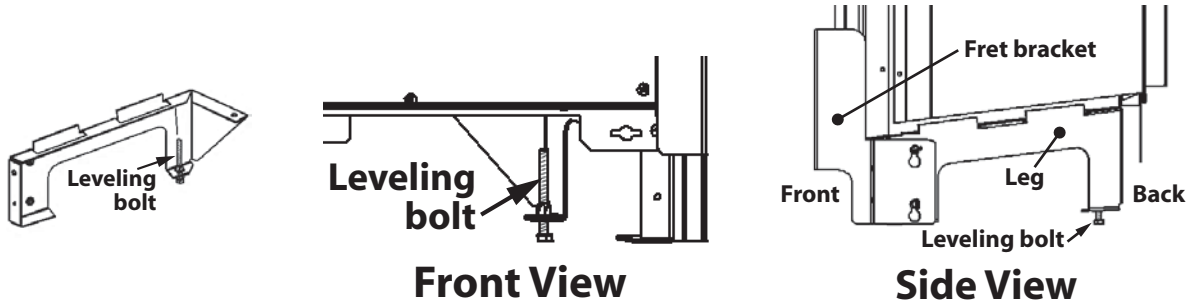
With the firebox recessed behind the smoke curtain of the existing fireplace, raise the firebox and place the individual support legs under the firebox. Placing a temporary shim under the firebox, such as a 2" x 4", may help while positioning the support legs. Tabs are provided on the support legs to help position them. Fasten the support legs at the points indicated by the arrows using the bolts provided (2 per side).



Firebox Installation

Leveling the firebox in the hearth

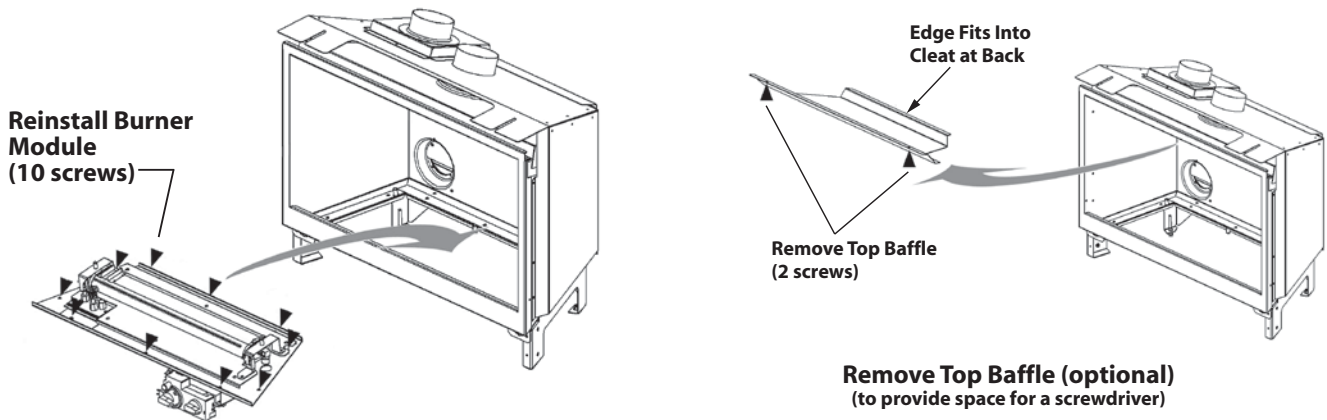
The backside of each support leg has a leveling bolt. If necessary, adjust the level of the firebox in the hearth.



Burner Module Reinstallation

Note: If the circulating fan is to be installed it should be done at this point before installing the burner module. See instructions packaged with the fan for details of the fan installation.

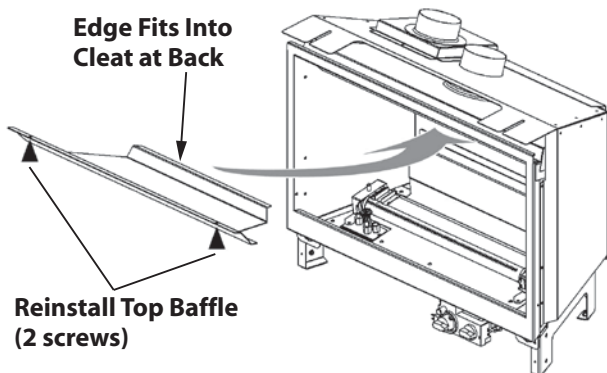
Reinstall the burner module using the 10 screws removed previously. Note: The upper baffle may be removed to gain more room for the screwdriver to install the rear screws.



Gas Line Connection and Fire Unit Testing

Connect the gas line to the burner module. Check for leaks, purge the line, and test-fire the unit before installing the window or proceeding with the remainder of the install—see section *Lighting Instructions*.

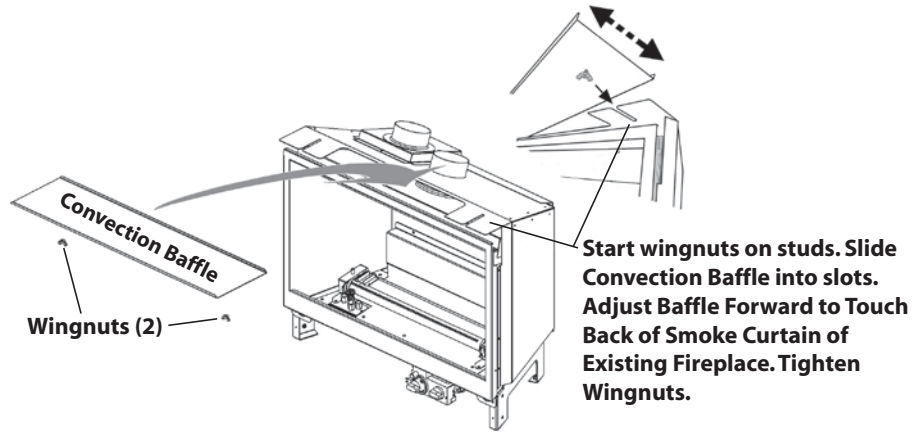
Top Baffle Reinstallation (if removed)



Firebox Installation

Top Convection Baffle Installation

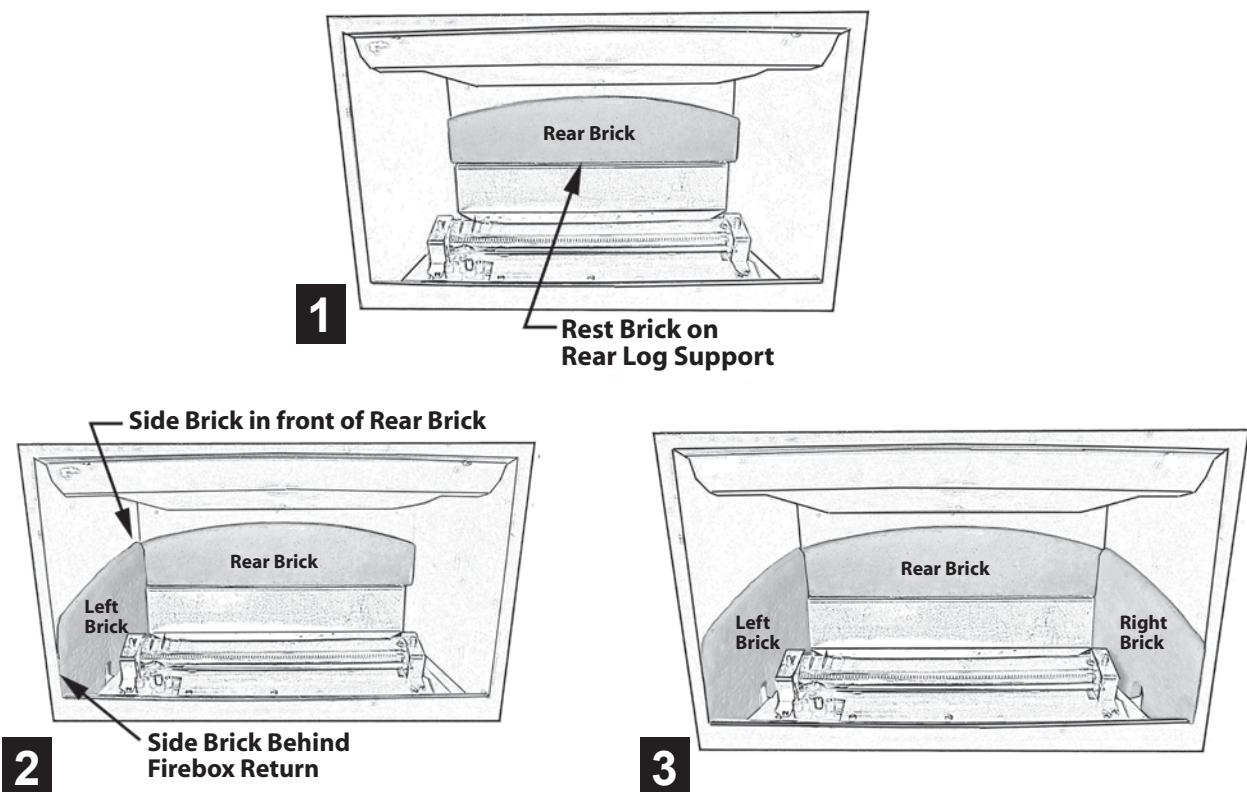
Position the firebox as far back as possible within the existing fireplace to allow ample space at front for the fret and to allow convection air to flow under the smoke curtain of the existing fireplace. Position the top convection baffle with the threaded studs pointing downwards into the slots at the top of the firebox. Slide the convection baffle as far forward as possible, angled down if possible, to force the air under the smoke curtain, and tighten the wing nuts.



Ceramic Fuel Bed Installation

Ceramic Brick Liner Installation

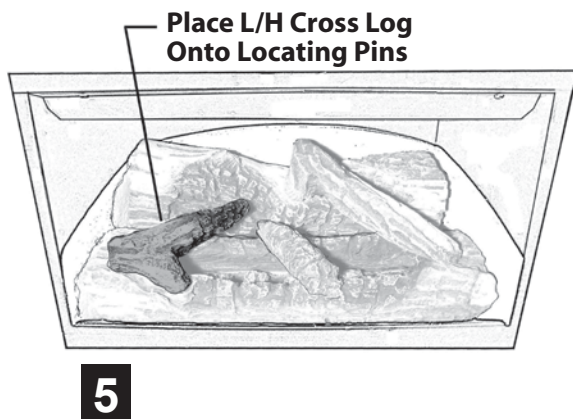
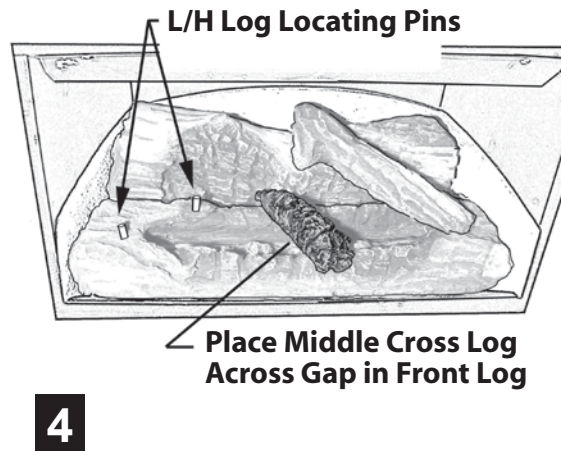
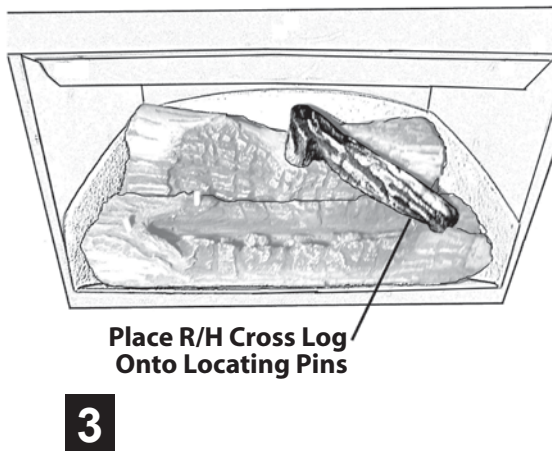
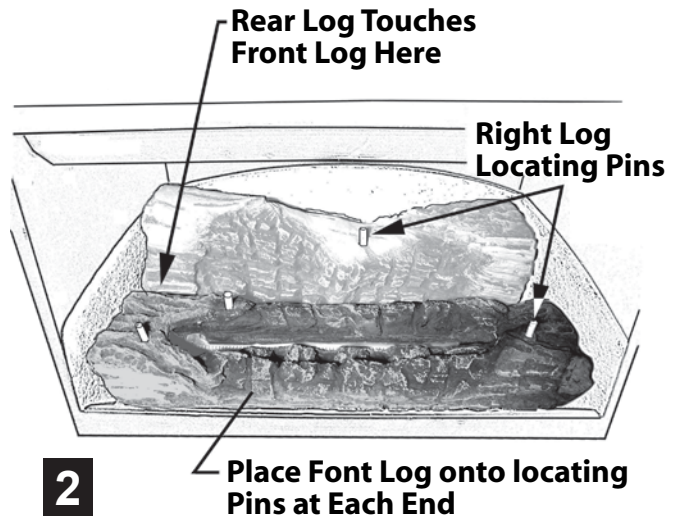
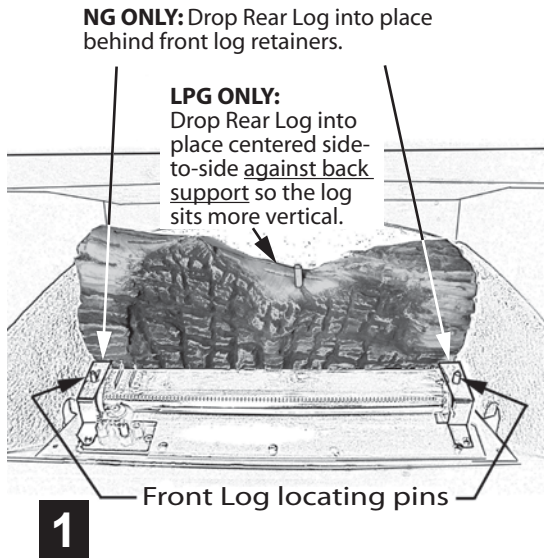
Install the ceramic brick liner taking care not to damage them as the material is fragile. The top rounded edges of the side panels should face inwards and the front edge bevelled. Place the side brick panels flat against the side of the firebox up high and slide downward into place behind the front return edge on the firebox.



Ceramic Fuel Bed Installation

Ceramic Log Set Installation

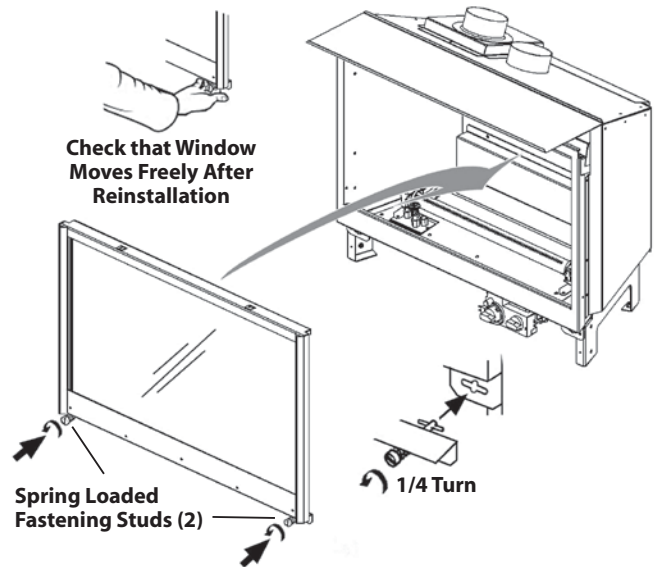
Carefully remove the ceramic logs from the packaging taking care not to damage them. Install the logs as described below. **Please note that the Rear Log will have a different position depending of the gas type. The position of the logs is critical to insure the good performance of the appliance.**



Window Refitting and Checking

Hook the window over the top edge of the firebox, and fasten the bottom two spring loaded bolts by pushing in and turning 90 degrees. Check that the window moves freely against the spring by pulling out at the bottom. If broken, the window may only be replaced as a complete unit as supplied by the manufacturer.

Note: To remove the window, the cast iron fret and fret retainers will need to be removed first—see section *Cast Iron Fret Installation*.



Remote Control Installation

CAUTION

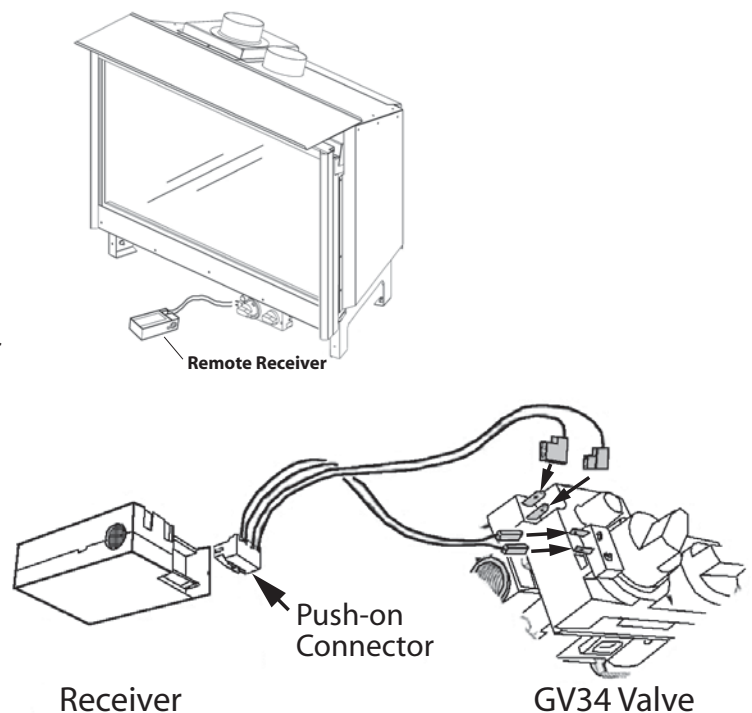
DO NOT PUT BATTERIES IN THE REMOTE CONTROL RECEIVER until the wires are connected to the burner control unit as short-circuit could result in the destruction of the electrical components.

1. Connect the wiring harness to the receiver box, by pushing the wire connector on to the receiver circuit board. The plug will only go on one way so please ensure that the wires are pointing up and slot in the board is in line with the tab on the wiring harness plug.
2. Connect wires as shown. Please note that the “L” connectors are different sizes, the smaller one fits to the lower connection and the larger one the top connection on the top left hand side of the valve. The other two wire connectors can be fitted to either terminal located to the left of the flame control button.
3. Remove the remote control receiver lid.
4. Fit four AA 1.5 V alkaline batteries.
5. Place the remote control receiver on the base of the fireplace beside the valve.
6. Fit the 9 V alkaline battery to the handset transmitter.

Remote control operating instructions are on pages 20–21 of this manual.

CAUTION

DO NOT USE a screwdriver or other metallic object to remove the batteries from the receiver or the handset! This could cause a short circuit to the receiver.



Operation Check and Aeration Adjustment

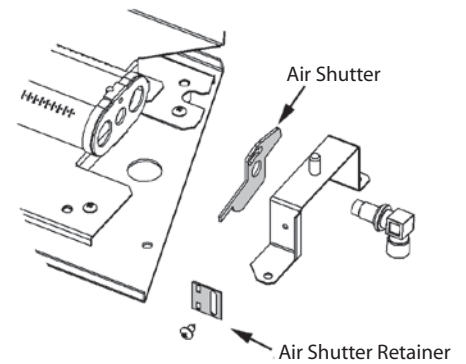
Turn the fireplace up and down using the remote control to confirm that the full range of inputs is achieved.

Light the fire and allow to warm up for 10–15 minutes to evaluate the flame picture. The burner is equipped with an adjustable air shutter to control primary aeration. See figures below. The shutter is factory-set at an aeration gap, which will give optimum performance for the vast majority of installations. In a few unusual installations, flame picture may be improved by adjusting the aeration. The need for adjustment should be determined only by operating the appliance with the ceramic fuel effects and window installed.

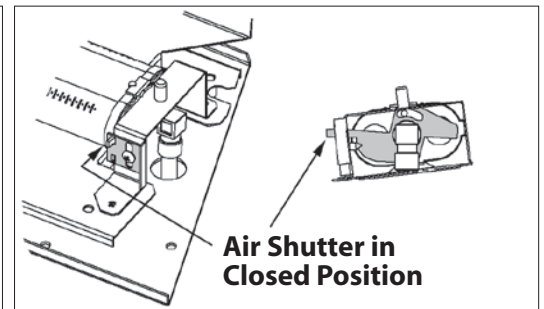
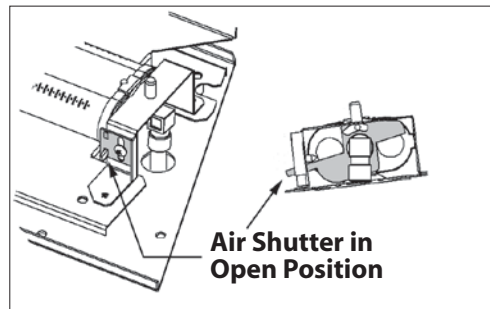
Increasing aeration will cause the flame to appear more transparent and blue making the ceramic fuel effects glow more.

Decreasing aeration will cause the flames to appear more yellow or orange making the fuel effects glow less.

Too little aeration may result in black carbon forming and dropping into the firebox.



Air Shutter Components

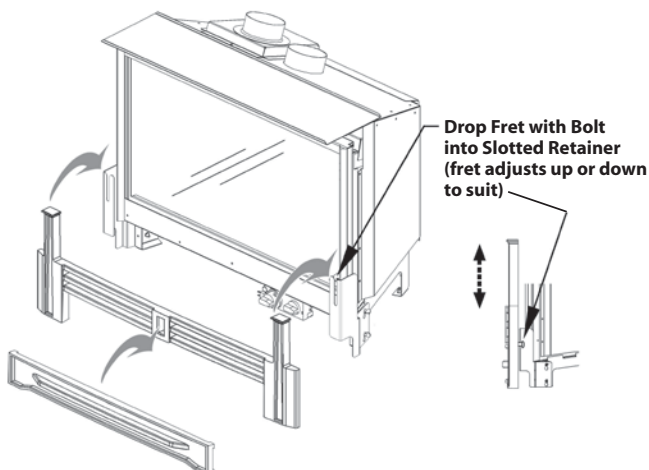
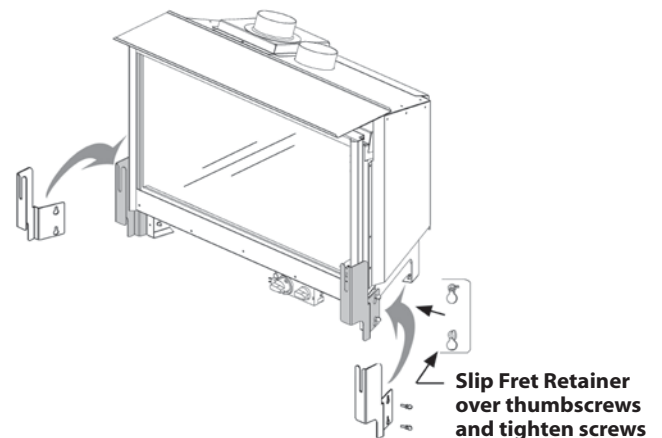


Cast Iron Fret Installation

Note: The fret retainer brackets are designed to maintain the required space in front of the window to allow the window to move and relieve during a hard start. **It is very important to ensure this area in front of the window is kept clear at all times.**

Fret Retainer Brackets Installation

Screw 2 thumbscrews into sides of each support leg if not done previously when support legs were installed. Fit the slotted holes in the fret retainers over the thumbscrews, push fret retainers downwards and tighten screws.



Cast Iron Fret Installation

Adjust screw heads on back of fret to the thickness of the retainer bracket and drop the fret into place while guiding the screw heads into the slots in the bracket. Clip the ash pan cover onto the fret.

Owner's Information

CAUTION

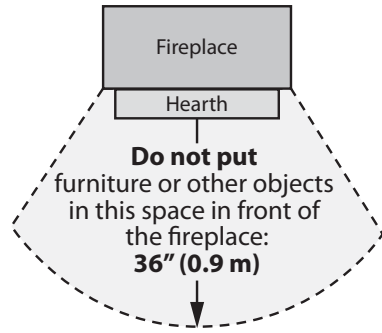
Your fireplace becomes very hot when operating. Avoid placing decorating objects sensitive to heat within 36 inches (0.9 m) around it.

Performance of LPG appliances may be affected by the quality of commercial gas supplied in your area.

Warranty Card at the back of this manual.



Please read the **Safety and Warning Information** section at the beginning of this manual.



Operating Your Fire

For your safety, this appliance is fitted with a flame supervision device which will shut-off the gas supply if, for any reason, the pilot flame goes out. This device incorporates a fixed probe, which senses the heat from the pilot flame. If the probe is cool, the device will prevent any gas flow unless the burner control knob is kept pushed in at the PILOT position. See full lighting instructions on page 23 of this manual.

Cleaning

WARNING

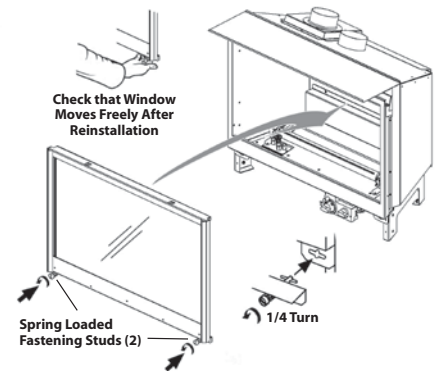
DO NOT TOUCH THE GLASS WHILE IT IS HOT!
Let the fireplace cool first before cleaning it.

It will be necessary to clean the glass periodically. During startup, condensation, which is normal, forms on the inside of the glass and causes dust, lint etc. to cling to the glass surface. Initially paint, while curing, may deposit a slight film on the glass. We therefore recommend that, during the first few weeks of use, the glass be cleaned two or three times with non-abrasive common household cleaners and warm water. Ammonia based cleaners should not be used. Subsequently, the glass should be cleaned two or three times a season depending on the circumstances. Do not clean the glass while it is hot. Always securely replace the window before lighting. **If broken, the glass pane may only be replaced as a complete window unit as supplied by the manufacturer.**

It is necessary to remove the cast iron fret and brackets before removing the window—see section *Cast Iron Fret Installation*.

The window can be removed for cleaning by rotating the two fastening studs at the bottom corners 90 degrees to release, and swinging the bottom of the window unit outwards to unhook the top edge.

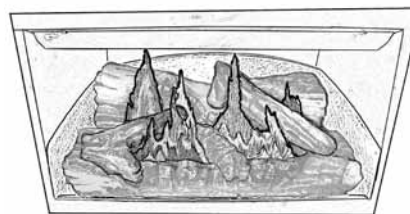
After refitting the window, apply light hand pressure against the window frame sides to bed-in the window seal.



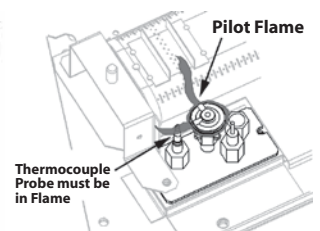
Dust, etc. can be brushed from the ceramic fuel effects and firebox walls after removing the front unit and opening the window. Dust etc. can also be removed from the burner using a soft brush after removing the ceramic fuel effects. **When cleaning, make sure that no particles are brushed into the slots in the burner.**

Checks

A periodic check of the pilot and burner flames should be made. Check after the fire has been on for at least 30 minutes. The pilot flame must cover the tip of the thermocouple probe. The main burner flame pattern will vary from appliance to appliance depending on the type of installation and climatic conditions—see images below.



Correct Flame Picture



The appliance area must always be kept clear and free from combustible materials, gasoline and other flammable vapors and liquids.

Inspect the vent terminal outdoors regularly to make sure that, snow, leaves, bushes, trees, etc, do not obstruct it.

Examine the vent system and terminal regularly. We recommend annually.

Owner's Information

Batteries Replacement

CAUTION

DO NOT USE a screwdriver or other metallic object to remove the batteries from the receiver or the handset! This could cause a short circuit to the receiver.

All appliances use four 1.5 V AA alkaline batteries for remote control receiver and the handset uses a 9 V alkaline battery.

Batteries are accessible by removing the lid of the remote control receiver. Batteries should last one to two seasons, depending on usage. Removing batteries in the off season will extend battery life. Should the batteries loose power, the control may be operated by manually turning the control knob at the valve.

General Servicing

If your appliance needs to be serviced, contact your supplier quoting the model number. It will be helpful if the appliance serial number can also be quoted. This is on the rating plate, which is attached to the unit. The repair parts are shown in the repair parts list. Please always quote the part number and description when requesting spare parts.

Remote Control Operation

Your fireplace remote control helps you get the comfort, convenience and aesthetics you want from your gas fireplace. The remote controls your fireplace in different ways.

IMPORTANT: *BEFORE YOU BEGIN*, please note that on this system, the settings of time, temperature and automatic ON/OFF **can only be programmed when the function display is flashing**. Be patient when programming as it can take a few seconds to set.

Setting the time

The first thing to do is to set the time.

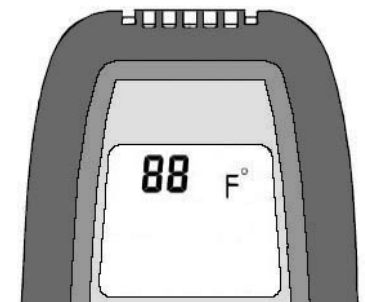
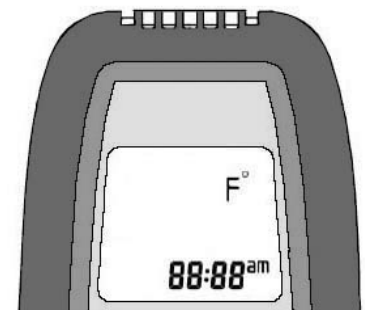
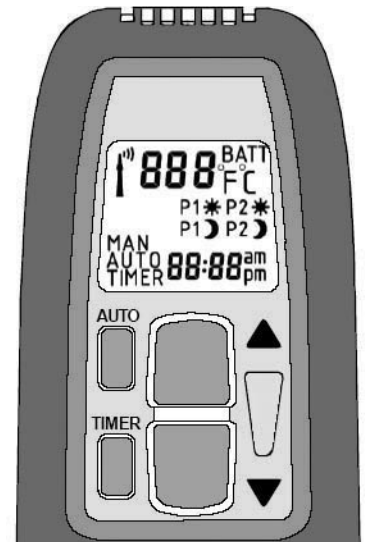
1. With your thumb, hold down **both** the **AUTO** and **TIMER** buttons until **F** flashes. Let go.
2. Note the digital clock on the bottom right hand corner. The **▲** button sets the hour; the **▼** button sets the minutes. Set the time.
Note: You must start setting the time while the **F** is flashing. If it stops flashing, go back to 1.
3. The display shows °C/24-hour or °F/12-hour. To change the temperature/hour display, press on the **AUTO** button while the display flashes.
4. Let go and wait until the flashing stops. The remote shows the time you set. It also shows the current temperature.

Setting the temperature

Use this setting when you come in and want to enjoy a specific temperature.

1. Push the **AUTO** button until a number and **F** flash. Let go.
2. While it is still flashing, push the **▲** and **▼** buttons to the temperature you want. Let go.

Your fireplace will reach that temperature and the remote will check the temperature every five minutes, adjusting the amount of fuel needed to give you a steady, even heat.



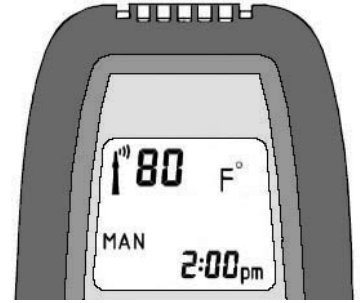
Remote Control Operation

Setting the flame

Use this setting when you want a particular flame level. For instance, you want to watch flames burn at their highest level and you don't mind if the room is too hot.

1. To raise the flame, press and hold the ▲ button until the flame gets to the desired level. Let go.
2. To lower the flame, press and hold the ▼ button until the flame gets to the desired level. Let go.

The **flame level** will remain just as you set it.

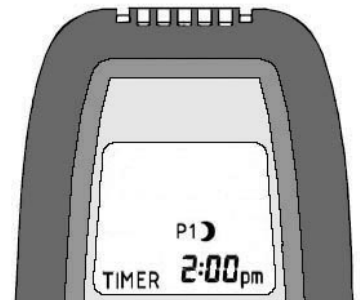
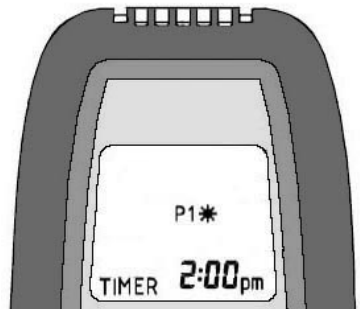


Programming time and temperature

You can set your fireplace to come on before you wake up and turn off after you leave and then, turn on again just before you come home and turn off after going to bed.

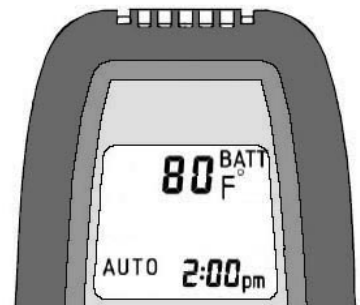
You can leave it like this for the heating season.

1. Decide what temperature you want your fireplace to be at. Also, decide what time you want your fireplace to turn on and off. Finally, decide what time you want it to come back on and off in the afternoon or evening. For the first few times you set the timer, it's handy to write these times down.
2. Set the temperature (just as you did in the section *Setting the temperature*.)
3. Press the **TIMER** button and hold it until **P1** ☀ appears and flashes. Let go. While flashing, push the buttons ▲ (hour) and ▼ (minutes) to set the time at which you want your fireplace to turn on in the morning.
4. Press the **TIMER** button and hold it until **P1** ☾ appears and flashes. Let go. While flashing, push the buttons ▲ (hour) and ▼ (minutes) to set the time at which you want your fireplace to turn off when you leave.
5. Press the **TIMER** button and hold it until **P2** ☀ appears and flashes. Let go. While flashing, push the buttons ▲ (hour) and ▼ (minutes) to set the time at which you want your fireplace will turn back on in the afternoon.
6. Press the **TIMER** button and hold it until **P2** ☾ appears and flashes. Let go. While flashing, push the buttons ▲ (hour) and ▼ (minutes) to set the time at which you want your fireplace to turn off in the evening.
7. That is all you have to do. Your fireplace will give you steady, even heat at the temperatures and times you set.



Note: If you want to set your fireplace for only one time on and off, set **P2** ☀ and **P2** ☾ for the same times as **P1** ☾. The remote will record the **P1** ☾ off time for both **P2** times.

To temporarily override the timer setting, just press **AUTO** or ▲ and ▼ to go back to manual settings. Press **TIMER** to go back to your settings.



Battery Replacement

When your remote control displays **BATT**, you need to replace the battery with a new 9 V alkaline battery—6LR61/MN1604.

CAUTION

DO NOT USE a screwdriver or other metallic object to remove the batteries from the receiver or the handset! This could cause a short circuit to the receiver.

Options

Fuel

RF24DVN—Natural Gas Installations

RF24DVP—Propane Gas Installations

Decorative Cast Iron Frets

RA24CV—Contemporary, Vintage Iron Finish

RA24AV—Avant-Garde, Vintage Iron Finish

RA24TB—Traditional, Black Finish

1225VFB—Ventana Fret, Black

Venting

Pipe—generic 3” diameter flexible aluminum liner approved for gas venting—see list below.

Termination—Miles Industries’ **559CLT** Co-Linear

Termination and **559SFK** Square Flashing Kit are

recommended for terminating existing masonry chimney applications—see list below for other approved venting accessories.

Circulating Fan

555CFK—Circulating Fan Kit with 6’-0” c/w grounded cord set.

Conversion Kits



RA24NK—to convert from LPG to Natural Gas

RA24PK—to convert from Natural Gas to LPG

Hearth Gate (optional)

Hearth gates such as Kidco’s are available at retail stores carrying safety products for children.

Approved Venting Components

APPROVED DIRECT VENT SUPPLIERS FOR VALOR MODELS 739 & RF24DV								
  Venting Parts Description		Venting Parts Code / availability by Manufacturer						
		SIMPSON DURA-VENT	SELKIRK	ICC EXCEL DIRECT	SECURE VENT	RLH INDUSTRIES	MILES INDUSTRIES	
Termination Caps	Vertical	Standard Co-axial	46DVA-VC	4DT-VC	TM-4VT	—	HSDV4658-1313	—
		High Wind Co-axial	46DVA-VCH	—	—	SV4CGV	—	—
		Extended Co-axial	46DVA-VCE	—	—	—	—	—
		Co-linear	—	—	—	3PDVCV	HS-C33U-99 HS-C33F-1313	559CLT
Vent Adapters / Couplers	Universal Adapter 3” Flex Coupler	2150	—	TM-CFAA3	—	—	—	
	Co-linear Flex Connector	46DVA-ADF	—	—	—	—	—	
	Co-axial-to-Co-linear Adapter	46DVA-GCL	—	TM-4CAA	—	—	556CLA	
	Co-linear-to-Co-axial Adapter	46DVA-GK	—	TM-4CTA	—	—	—	
Aluminum Flexible Liner	3” diameter	2280 Series	3” ACFL	NOTE: 2-ply liner approved to CAN/ULC S635 suitable for venting gas appliances. As manufactured by Z-Flex.				
Flashings	Roof Flashing 0/12-6/12	46DVA-F6	4DT-AF6	TF-4FA	SV4FA	—	—	
	Roof Flashing 7/12-12/12	46DVA-F12	4DT-AF12	TF-4FB	SV4B	—	—	
	Flat Roof Flashing	46DVA-FF	—	TF-4F	SV4F	—	559FSK	
	Masonry Flashing	—	—	TF-4MF	—	—	—	

Notes: 1) Follow instructions supplied with each manufacturer’s components. 2) Termination caps manufactured by RLH Industries are from Homestyle Chimney Collection and can be ordered in one of the following finishes: a) aluminum; b) black powder coated; c) solid copper.

Lighting Instructions

FOR YOUR SAFETY READ BEFORE LIGHTING



WARNING: If you do not follow these instructions exactly, a fire or explosion may result causing property damage, personal injury or loss of life.

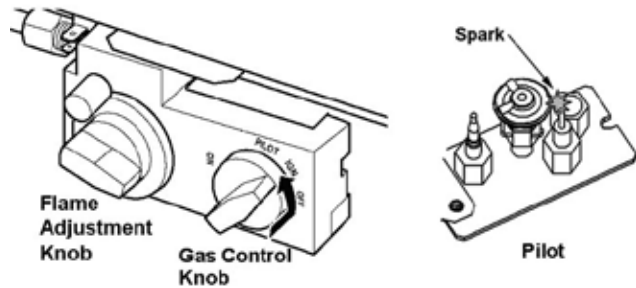
- A. This appliance has a pilot, which must be lighted by hand. When lighting the pilot, follow these instructions exactly. To save energy, turn the pilot off when not using the appliance.
- B. **BEFORE LIGHTING** smell all around the appliance area for gas. Be sure to smell next to the floor because some gas is heavier than air and will settle on the floor.

WHAT TO DO IF YOU SMELL GAS



- Do not try to light any appliance.
 - Do not touch any electric switch; do not use any phone in your building.
 - Immediately call your gas supplier from a neighbor's phone. Follow the gas supplier's instructions.
 - If you cannot reach your gas supplier, call the fire department.
- C. Use only your hand to push in or turn the control knobs. Never use tools. If the controls will not push in or turn by hand, don't try to repair them, call a qualified service technician. Force or attempted repair may result in a fire or explosion.
- D. Do not use this appliance if any part has been under water. Immediately call a qualified service technician to inspect the appliance and to replace any part of the control system and any gas control, which has been under water.

LIGHTING INSTRUCTIONS

1. **STOP!** Read the safety information above.
2. Set the flame adjustment knob as far clockwise  as possible*.
3. Turn the gas control knob clockwise  to OFF.
NOTE: The knob cannot be turned from PILOT to OFF unless it is pushed in partially. Do not force.
4. Wait five (5) minutes to clear out any gas, then smell for gas, including near the floor. If you smell gas, **STOP!** Follow "B" in the safety information above. If you don't smell gas, go to the next step.
5. Find the pilot. It is at the left side of the firebox viewed through slotted hole in front log.
6. Push in and turn the gas control knob counterclockwise until resistance is felt just before the "IGN" position.
7. Keep pushed in for a few seconds to allow gas to flow then, keeping knob depressed, turn to "PILOT" to light pilot. Hold knob in for a further 5 seconds then release. The knob should pop back out. Pilot should remain lit. If pilot goes out repeat steps 3 through 7.
 - If knob does not pop out when released, stop and immediately call your service technician or gas supplier.
 - If pilot lights but will not stay lit after several tries, turn the gas control knob to "OFF" and call your service technician or gas supplier.
8. When pilot is lit, partially depress the knob and turn to "ON" position (Burner alight).
 - Do not leave knob set between "PILOT" and "ON".
9. Set the flame height to desired setting*.



TO TURN OFF GAS TO APPLIANCE

1. Set the flame adjustment knob as far clockwise  as possible*
2. Push in gas control knob slightly and turn clockwise  to "OFF". Do not force.

* The flame height can be increased or decreased by depressing the remote control hand set button.

Warranty

If you have a problem with this unit, please contact your dealer or supplier immediately. Under no circumstances should you attempt to service the unit in any way by yourself. The warranties in paragraphs 1 and 2 are provided only to the first purchaser/user of this unit, are not transferable and are subject to the conditions and limitations in paragraphs 3, 4 and 5. Please review the conditions and limitations carefully and strictly follow their requirements.



1. Extended Warranty Coverage

For a period of up to ten (10) years, Miles Industries Ltd., (the "Company") or its appointed distributor will at its option pay the initial purchaser for the repair of, or will exchange the following parts or components which are found to be defective in material or workmanship under normal conditions of use and service:

Part or Component	Defect Covered	Maximum Warranty Period
Exterior steel casing	Corrosion	10 years
Glass	Loss of structural integrity	10 years
Cast iron parts	Corrosion	10 years
Firebox and heat exchanger	Corrosion (but not discoloration) causing loss of structural integrity	10 years

2. Two-Year Parts Warranty

In addition, for two (2) years from the date of purchase, the Company, at its option, can repair or exchange all parts and components not listed above but that are found to have a *bona fide* defect in material or workmanship under normal conditions of use.

3. Conditions and Limitations

- a) The warranty registration card must be completed by the initial owner and returned to the Company within 90 days of purchase.
- b) Installation and maintenance must be performed by an authorized and trained dealer in accordance with the Company's installation instructions.
- c) This warranty is void where installation of the unit does not conform to all applicable codes including national and local gas appliance installation codes and building and fire codes.
- d) The owner must comply with all operating instructions.
- e) The Company is not responsible for the labor costs to remove defective parts or re-install repaired or replacement parts.
- f) The first purchaser or user of the unit will be responsible for any shipping charges for replacement parts as well as travel time incurred by the dealer to perform the warranty work.
- g) This warranty applies to non-commercial use and service and is void if it is apparent that there is abuse, misuse, alteration, improper installation, accident or lack of maintenance to the unit.
- h) This warranty does not cover damage to the unit through:
 - i) Improper installation, operational or environmental conditions.
 - ii) Inadequate ventilation in the area or competition for air from other household equipment or appliances.
 - iii) Damage due to chemicals, dampness, condensation, or sulphur in the fuel supply lines which exceeds industry standards.
- i) This warranty does not cover glass, log breakage or damage to the unit while in transit.
- j) The Company does not allow anyone to extend, alter or modify this warranty and assumes no responsibility for direct, indirect or consequential damages caused by the unit. State or provincial laws where the first purchaser or user resides may provide specific rights to extend this warranty and, if so, the Company's sole obligation under this warranty is to provide labor and/or materials in accordance with those laws.

4. Discharge of Liability

After two (2) years from the date of purchase, the Company may, at its option, fully discharge all obligations under this warranty by paying to the first purchaser/user the wholesale price of any defective parts.

5. No Other Warranty

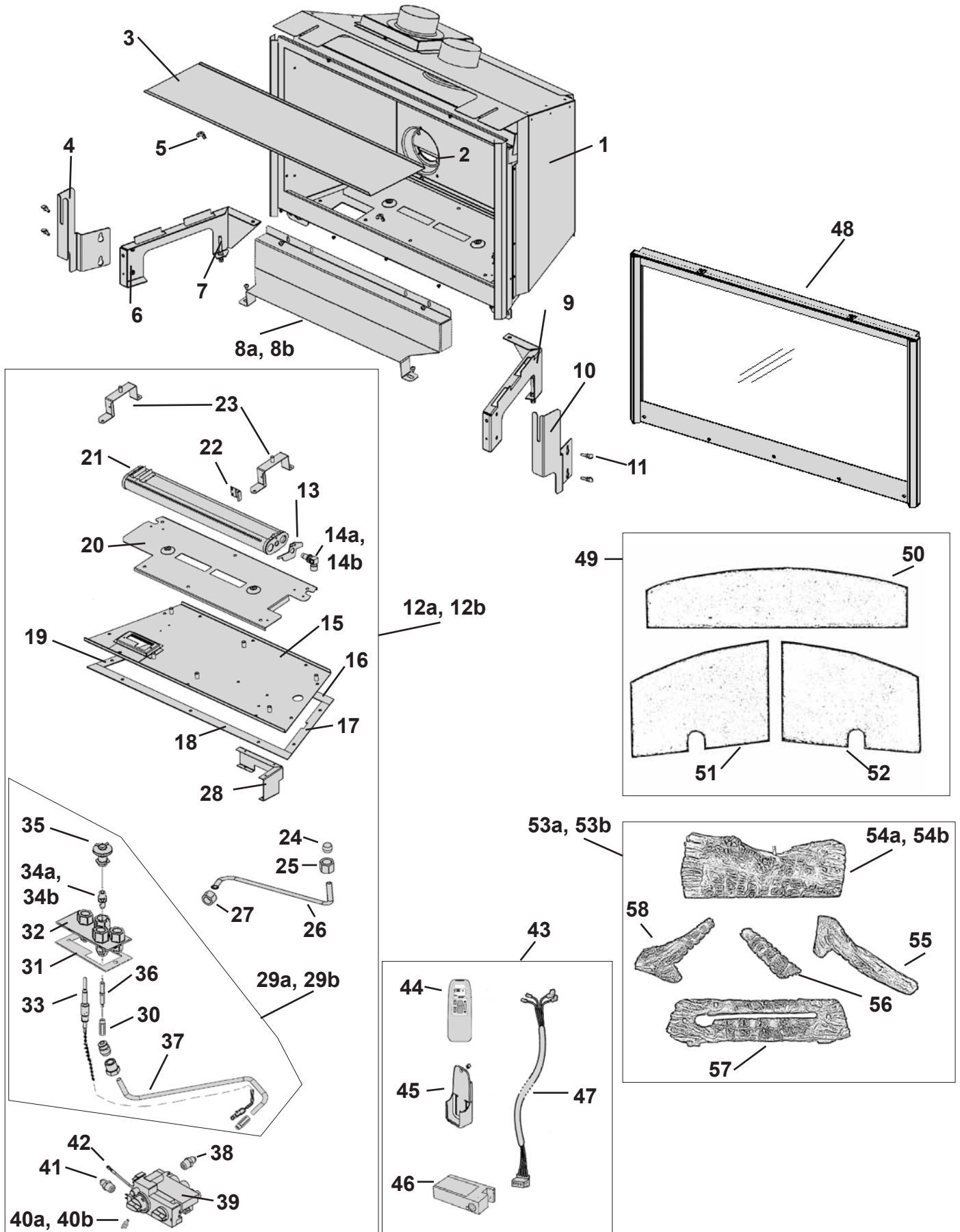
All obligations to repair this unit are defined in this warranty. Some states or provinces may specifically mandate additional warranties on the part of manufacturers, but in the absence of such specific legislation, there is no other warranty or obligation expressed or implied.

Parts

KEY	DESCRIPTION	PART NUMBER
1	Firebox Assembly	400634AH
2	Restrictor (2)	400767
3	Convection Baffle	4000744
4	Fret Support LH	4000693
5	Wing Nut (2)	4000741
6	Leg LH	4000662
7	Leveling Bolt (2)	4000242
8a	Log Support NG	4000621
8b	Log Support LPG	4001456
9	Leg RH	4000663
10	Fret Support RH	4000694
11	Thumbscrew # 10-32x1/2" (4)	4000753
12a	Burner Tray Assy DV, NG	4000635
12b	Burner Tray Assy DV, LPG	4000653
13	Airshutter	4000657
14a	Injector Elbow NG 82-580	720A580
14b	Injector Elbow LP 92-260	9730007
15	Valve Tray, DV	4000714
16	Gasket Rear	4000642
17	Gasket LH Side	4000643
18	Gasket Front	4000641
19	Gasket RH Side	4000644
20	Burner Support	4000579
21	Burner	4000599
22	Shutter Slider	4000759
23	Front Log Bracket	4000739
24	Olive 8mm	519779
25	Olive Nut	523389
26	Pipe Valve to main Burner (incl. olive & nuts)	4000600
27	Tube Nut	523389
28	Valve Mount	4000141
29a	190 Series Pilot Assy NG	4000727
29b	190 Series Pilot Assy LPG	4000728
30	Electrode Nut	720A200
31	Pilot Gasket	4000715
32	Pilot Bracket 190 Series	4000729
	Threaded Plug Pilot Bracket	4000726
33	Thermocouple	4000061
34a	NG Pilot Injector #51	4000735
34b	LPG Pilot Injector #30	4000736

KEY	DESCRIPTION	PART NUMBER
35	2-Flame Pilot Hood	4000730
36	Electrode	720A543
37	Pilot Tube	4000732
38	Straight Connector	544079
39	Maxitrol Valve GV34	4000056
	Valve Cover	4000801
	Servo Motor	4000802
40a	Minimum Rate Screw #160, NG	4000810
40b	Minimum Rate Screw # 105, LPG	4000824
41	Inlet Connector	4000746
42	Ignition Wire	N/A
43	Remote Control Kit	4000754
44	Transmitter	N/A
45	Receiver	N/A
46	Wall Bracket	N/A
47	Wiring Harness	N/A
48	Window Assy	4000604
49	Brick Set, Retrofire	4000648
50	Brick Panel, Rear	4000666
51	Brick Panel, LH	4000668
52	Brick Panel, RH	4000667
53a	Log Set, Retrofire NG	4000603
53b	Log Set Retrofire LPG	4000603P
54a	Rear Log NG	4000688
54b	Rear Log LPG	4000688P
55	RH Log	4000691
56	Centre Log	4000689
57	Front Log	4000692
58	LH Log	4000690

Parts



Thank You ...

For purchasing a Valor by Miles Industries. Your new radiant gas heater is a technical appliance that must be installed by a qualified dealer.

Please circle where appropriate - ask your installer if in doubt: Information provided will be used for customer records only.



Model: RF24D NG (natural gas) LPG (propane)				Serial No:			
Fret code/description (e.g. RA24TB Traditional Black Fret):							
Purchase date (mm-dd-yyyy):							
Home Owner Name:							
Address:							
City:			Province/State:			Postal Code/Zip:	
Phone: ()			Email Address:				
Store Type:		Fire shop	Hardware	Contractor	Other		
Purchase Decision:		Male	Female	Both			
Age:	Under 30	30-39	40-49	50-59	60+		
Heard of this product through:							
	Friend	Brochure	Advertising	Mailing	Store	Internet	Other
Installation Type:							
	New home	Renovation	Other				
Reason for Purchase:							
Performance	Flame Appeal	Design	Control	Previous owner	Recommendation	Price	Other
Dealer Name:							
Address:							
City:			Province/State:			Postal Code/Zip:	
Phone: ()							

Cut out page, fill information, and mail to Miles Industries Ltd.

Online Warranty registration at www.valorfireplaces.com



Tape Shut



Fold here



Postage
needed

Miles Industries Ltd.
190 - 2255 Dollarton Highway
North Vancouver, BC V7H 3B1
Canada

Online Warranty registration at www.valorfireplaces.com

Were you given all documentation and manuals for your product? YES NO



Thank you for choosing a Valor Product