

INSTALLATION & OPERATION MANUAL

valor[®] HEATSPLIT



1270RBK—Remote Blower Kit

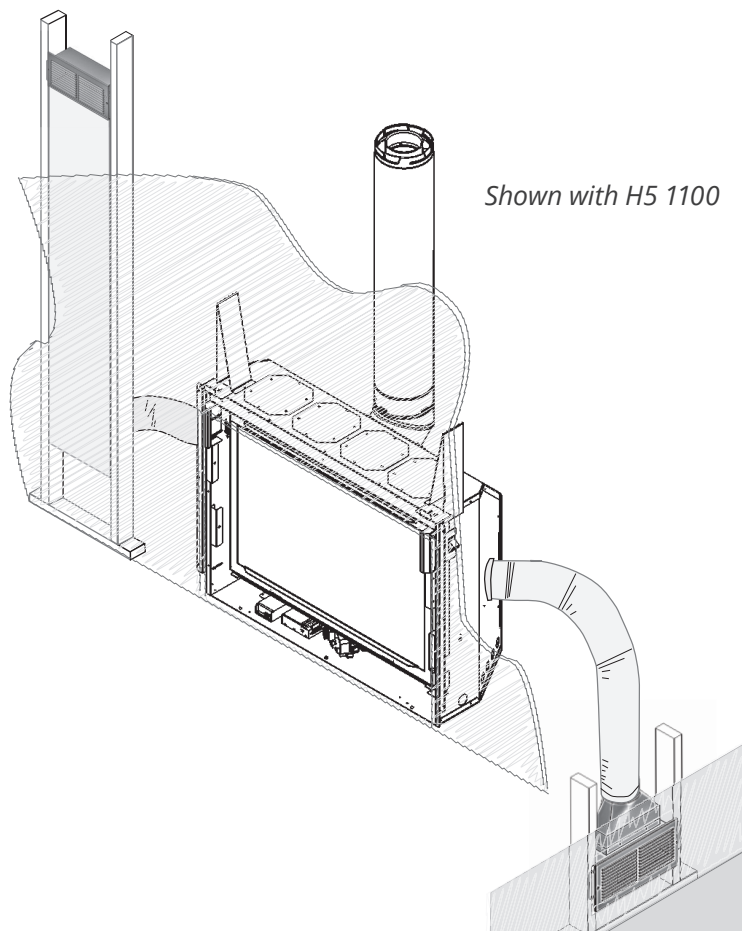
To be used only with Valor fireplaces—see compatibility table below

INSTALLER: Leave this manual with the appliance.
CONSUMER: Retain this manual for future reference.

Compatibility

HEATSPLIT can be connected to: →	Fireplace outer case		HeatShift 48" Plenum LDK1 max 1 kit		HeatShift 38" Plenum LDK4 max 1 kit	
Fireplaces Models ↓						
H5 All	✓	Maximum 2 kits	✓	Maximum 1 kit	✓	Maximum 1 kit
H6 1400I, J and K	✓	Maximum 2 kits	✓	Maximum 1 kit	✓	Maximum 1 kit
H6 1400M	✗	N/A	✓	Maximum 1 kit	✓	Maximum 1 kit
Linear L1 1500, L2 1700, L3 1800	✓	Maximum 2 kits	✓	Maximum 1 kit	✓	Maximum 1 kit
Linear L1 1600 See-thru	✓	Maximum 1 kit	✓	Maximum 1 kit	✓	Maximum 1 kit
Tall Linear LT1 2500, LT2 2700	✗	N/A	✓	Maximum 1 kit	✓	Maximum 1 kit
LX2 All	✗	N/A	✓	Maximum 1 kit	✓	Maximum 1 kit
LX1, 2100PK	✗	N/A	✗	N/A	✓	Maximum 1 kit

Concept



Application

The 1270RBK Remote Blower Kit allows to redistribute the convective heat generated by the fireplace to other areas of the home. Installation of this kit must be performed by a qualified technician.

- Maximum two kits may be used when installing directly onto a single fireplace.
- Maximum one kit may be used when installing directly onto LDK1 or LDK4 HeatShift Kit.
When using a 1270RBK connected directly onto a LDK1 or LDK4 HeatShift Kit **we do not recommend** having further 1270RBK kits connected directly to the heater.
- Blower assembly must be installed on interior walls or ceiling **only**. Installation in the floor is not recommended.
- Blower wheel **must** be installed in the **horizontal plane**. Do not install with blower axis mounted **vertically**.

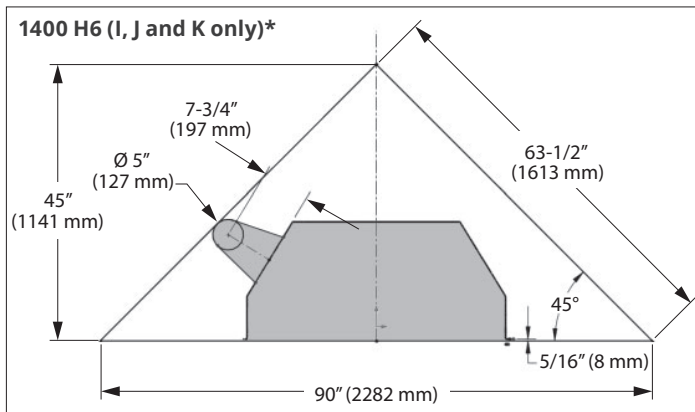
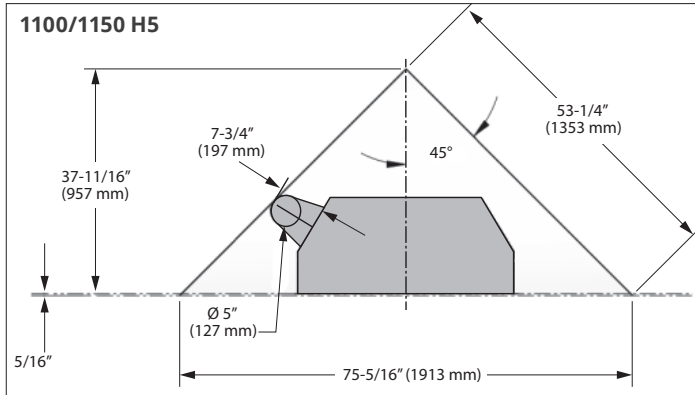
- Amount of heat delivered depends on many factors such as:
 - Length, type, and location of pipe; (avoid running pipe through unheated areas—insulate pipe if doing so).
 - Number of elbows;
 - Elevation of blower relative to heater.
Note: Using the remote blower will affect the heat output at the fireplace.

Dimensions and Clearances

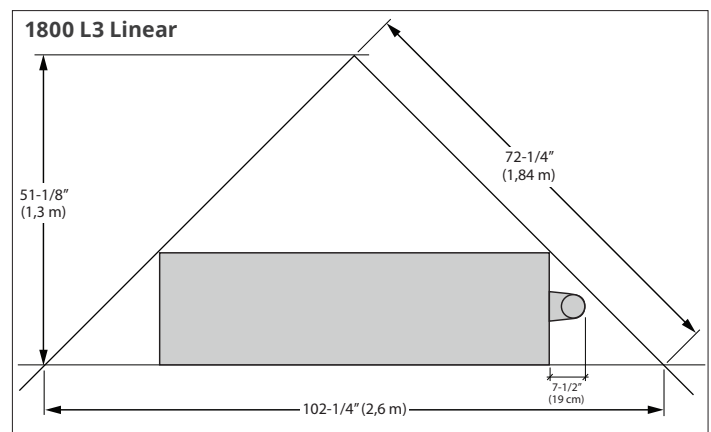
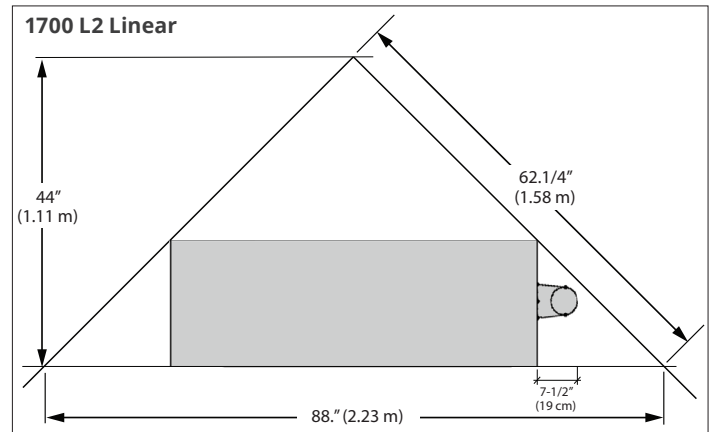
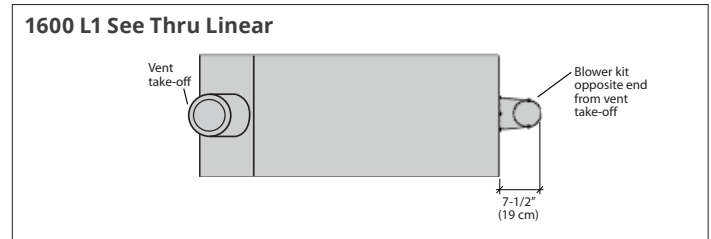
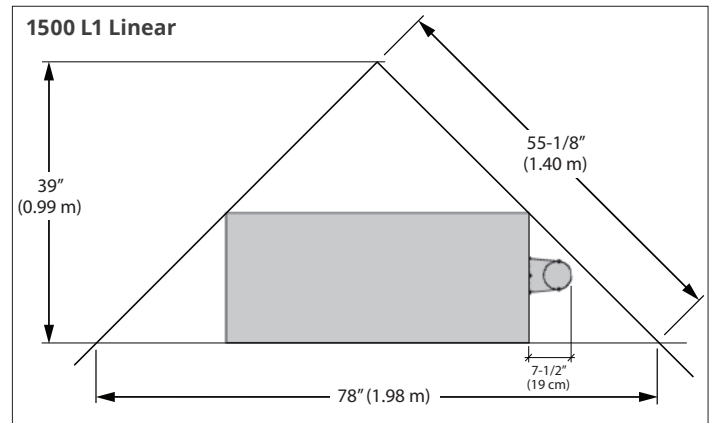
Clearance between air duct and combustible material:
1/4 inch for the first 2 feet and then, zero clearance beyond that.

Minimum distance between the floor or ceiling and the air grille on the wall: 4 inches.

When installing on a unit in a corner, consider additional space for the duct.



***Not compatible with 1400M except when using HeatShift LDK1 or LDK4 Plenum**



Electrical Wiring

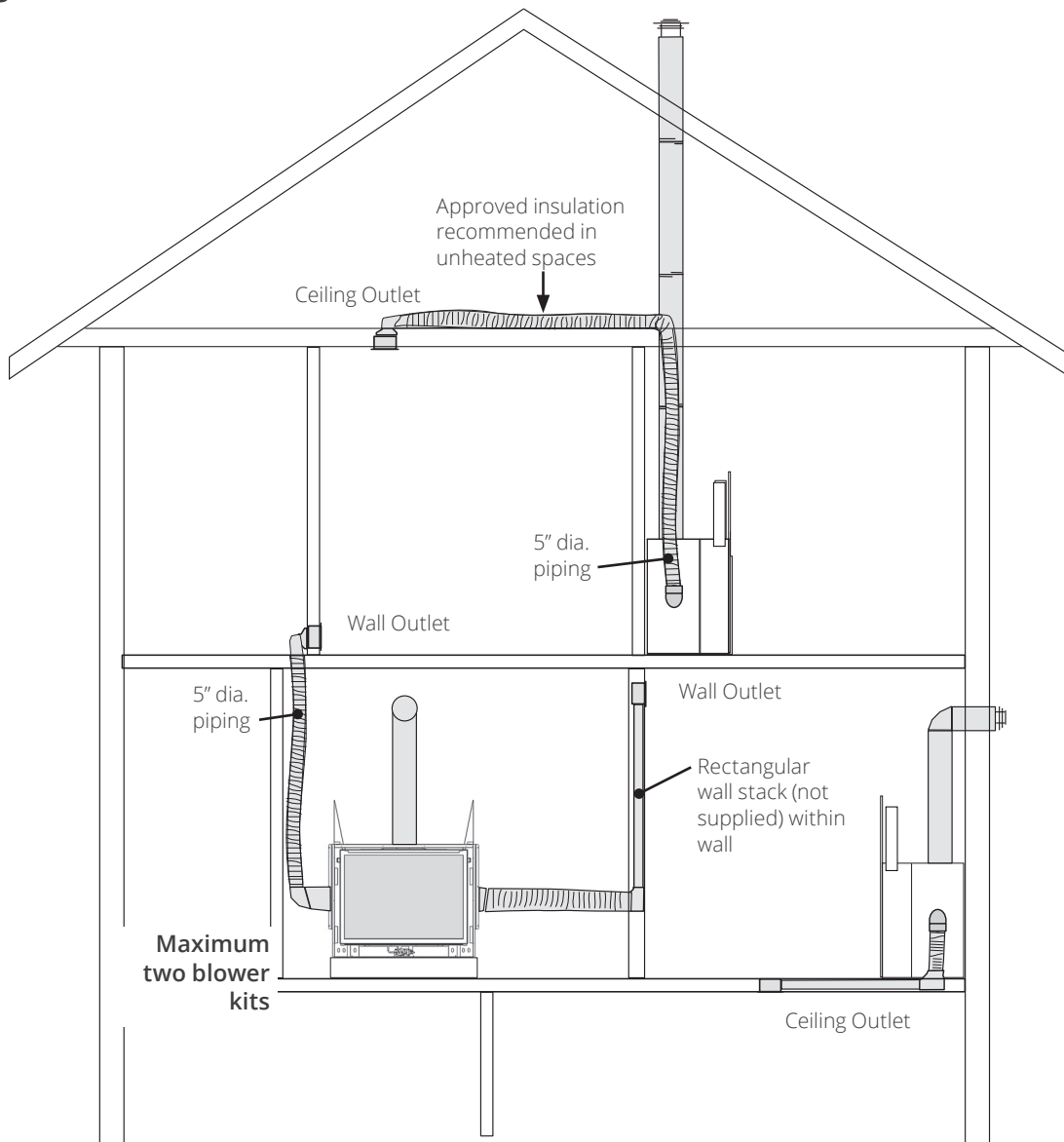
The electrical installation must be performed by a qualified installer and must be electrically wired and grounded in accordance with local codes, or, in the absence of local codes, with the *National Electrical Code*, ANSI/NFPA 70 or the *Canadian Electrical Code*, CSA C22.1. The blower is rated 120 V, 60 Hz. less than 1 Amp.

Suggested Control Arrangements

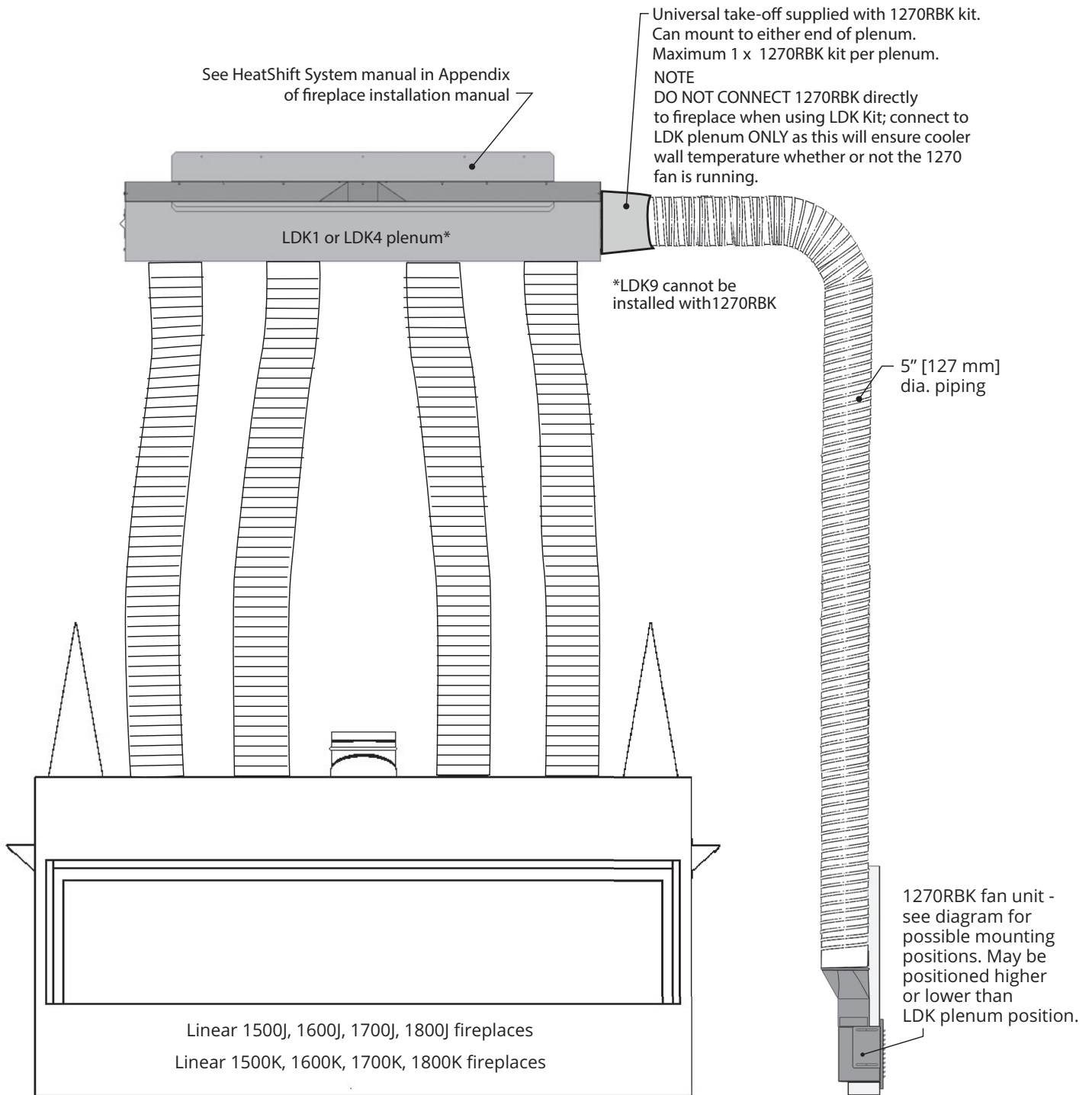
The blower is supplied without controls to allow the homeowner to customize the control and coordinate switch type/color/style using standard available electrical components.

The blower may be controlled using a simple on/off switch or variable speed control. A variable speed control is recommended to control air volume and noise. Variable speed controls must be rated to control motors such as those used with ceiling fans. Three-way controls such as an on/off switch near the fireplace and a speed control near the remote blower may be desirable. Consult your electrical installer before installation.

Positioning of 1270RBK



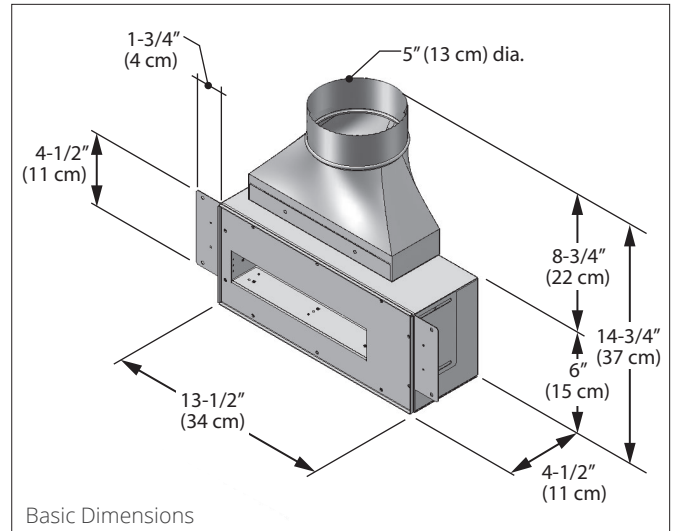
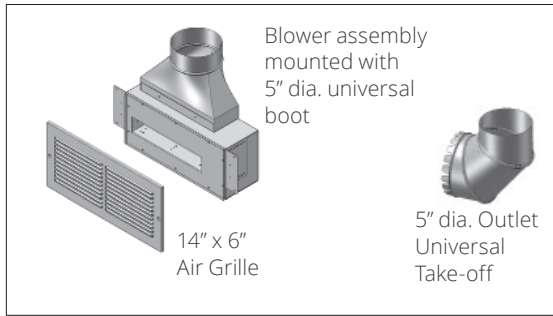
HeatShift™ + HEATSPLIT



Can also be installed on the plenum with

- H5 1100J, 1150J, 1100M,
- H6 1400J, 1400K, 1400M,
- LX1 (LDK1 plenum only),
- LX2 fireplaces

Kit Contents



Additional Material Required

- Round 5" (12.7 cm) diameter rigid or flexible UL-181 Class I air duct
- Duct tape UL181A-P or equivalent
- Sheet metal screws to match number of joints
- Variable speed control, switch, electrical wire, electrical boxes, wall plate as required
- Optional 3-1/4" x 10" x 5" dia. Right-angle Boot (for adapting to wall stack)
- Optional 3-1/4" x 10" rectangular Wall Stack and S and drive cleats when required

Possible Configurations

The kit is 13-1/2" wide and is made to fit between studs in a standard wall. It can be installed in the following configurations:

NOTE: The air grille depth can contain up to 1/2" of blower assembly projecting beyond face of finished wall.

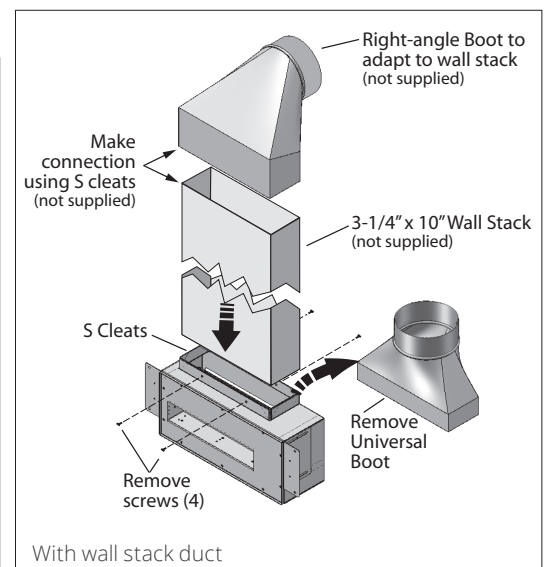
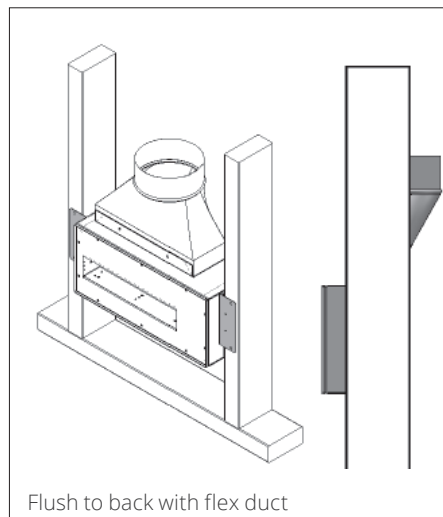
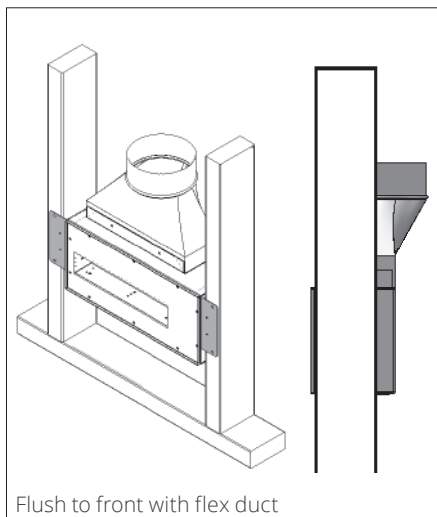
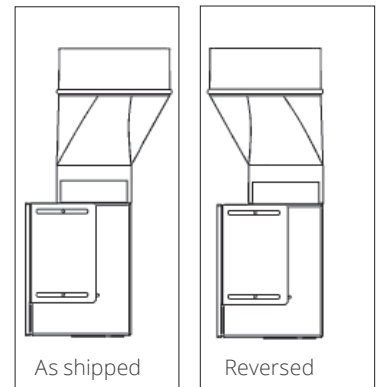
With a round duct

1. Flush to the front of 3-1/2" studs, in which case the blower housing and pipe will project on backside of wall;
2. Flush to the back of 5-1/2" stud wall; universal boot will need to be reversed and re-installed so the 5" dia. pipe is flush to back of assembly.

With a wall stack duct

Use a wall stack duct when it is desirable to conceal the duct within a wall.

NOTE: The 1/2" projection of blower assembly beyond face of finished wall can be concealed within air grille depth.



Installation

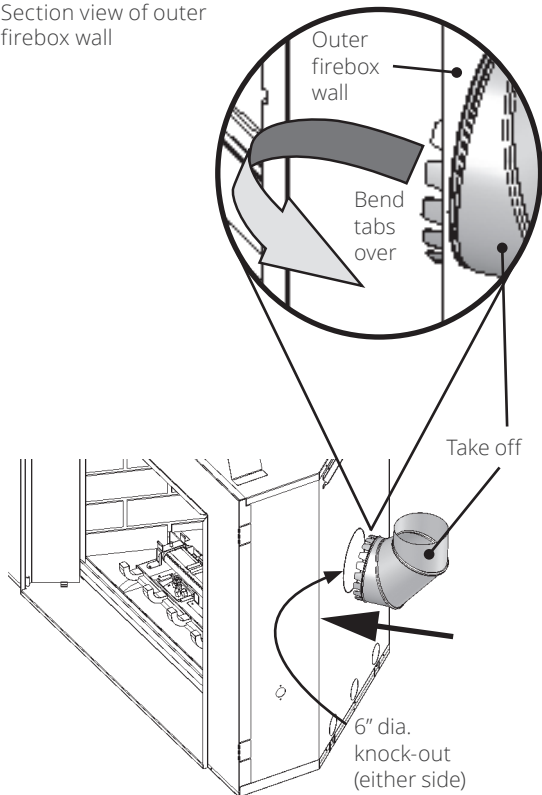
Duct—directly to fireplace

The firebox has a 6" diameter hole on each side.

1. Remove cover (4 screws) to reveal the 6" diameter hole.
2. Fit the take-off by inserting its tabs into the firebox.
3. Bend the take-off tabs with your fingers by inserting your hand in the take-off from the outside. This will secure the take-off to the firebox.

NOTE: The take-off sections can be swiveled to accommodate the direction of the duct.

Section view of outer firebox wall

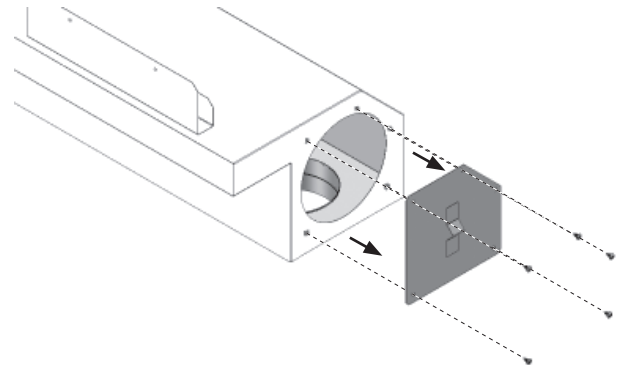


4. Fit the duct to the take-off and secure using sheet metal screws.
5. Run the duct in the walls/ceiling to the location of the blower outlet. If installing with a stack, connect the duct to right angle boot. Fasten with sheet metal screws. Connect the stack to the right angle boot using S cleats. Seal all joints with duct tape UL181A-P or equivalent.

Duct—directly to LDK HeatShift Duct Kit plenum

The LDK1 and LDK4 plenums have a 6" diameter hole on each side.

1. Remove the end cover (5 screws) to reveal the 6" diameter hole.



2. Fit the take-off by inserting its tabs into the plenum.
3. Bend the take-off tabs with your fingers by inserting your hand in the take-off from the outside. This will secure the take-off to the plenum.
NOTE: The take-off sections can be swiveled to accommodate the direction of the duct.
4. Fit the duct to the take-off and secure using sheet metal screws.
5. Run the duct in the walls/ceiling to the location of the blower outlet. If installing with a stack, connect the duct to right angle boot. Fasten with sheet metal screws. Connect the stack to the right angle boot using S cleats. Seal all joints with duct tape UL181A-P or equivalent.

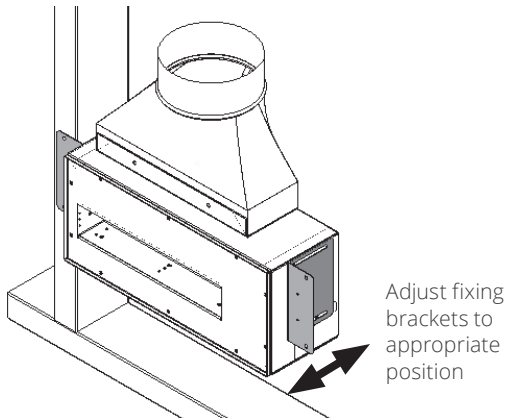
Blower

The blower can be installed on the wall, minimum 4 inches from the floor or ceiling. It can also be installed on the ceiling.

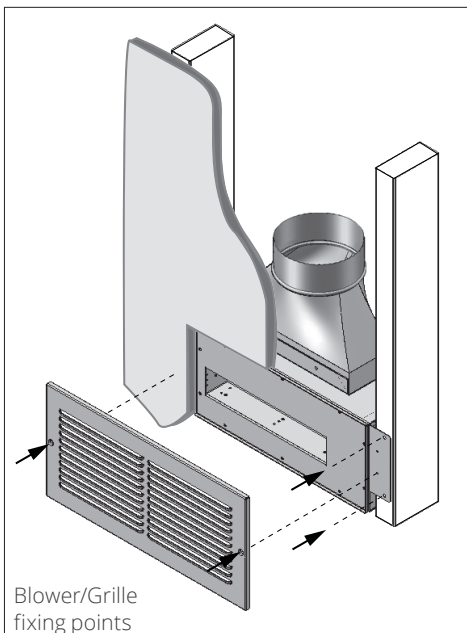
1. Adjust the blower fixing brackets by loosening the screws and sliding the brackets to the appropriate position. Tighten the screws to secure the brackets.

Caution

Installation on the floor is not recommended due to possible accumulation of dust or small objects falling through the grill into the blower and damaging it.

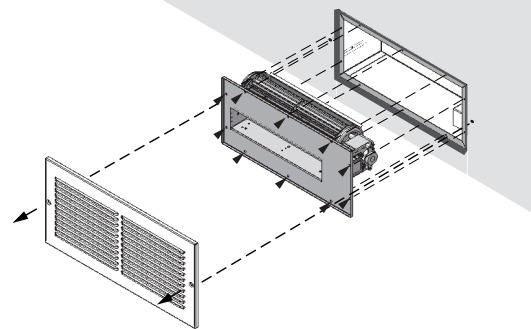


2. Fit the blower to the wall studs securing it through the brackets with wood screws. The universal boot may either go upward or downward. It comes oriented towards the back of the blower. This can be changed if desired. The universal boot may also be removed for connection directly to a wall stack.
NOTE: The blower MUST be in a horizontal axis position.



3. TO BE PERFORMED BY A PROFESSIONAL ELECTRICIAN.

- a) Hard-wire the blower to the electrical system.
 - b) Connect the blower to the speed controller and test the blower operation.
4. Connect the universal boot to the duct or replace with wall stack and secure with sheet metal screws.



5. Finish the wall around the blower assembly box.
6. Fit the air grille to the frame through the brackets with two screws provided.

Operation

1. Turn the fireplace on and let it warm up.
2. Activate the blower and select the desired fan speed (see suggested wiring schematic on page 9).

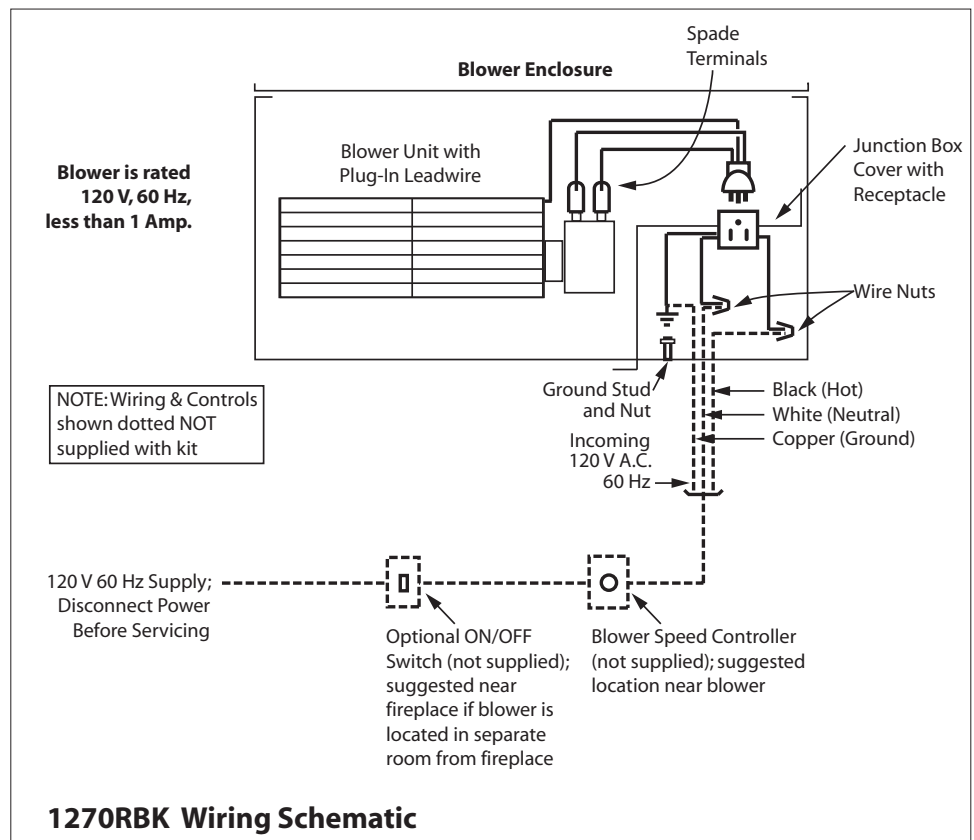
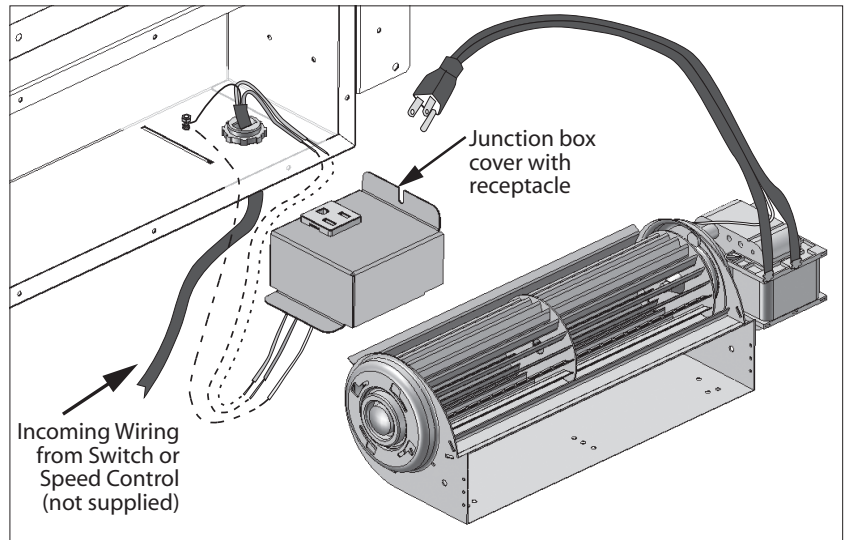
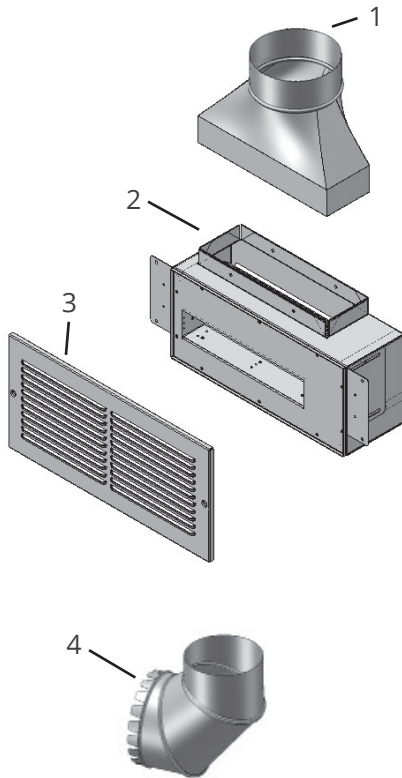
Maintenance

The Remote Blower Kit must occasionally be cleaned to maintain its performance. To clean:

1. Turn off the blower.
2. Remove the air grille and vacuum it.
3. Remove the 10 screws retaining the front plate and blower to the housing.
4. Pull the plate and blower attached out of the housing taking care not to damage the electrical connection. Unplug the blower from the receptacle.
5. Vacuum the blower and the housing to remove the dust and lint.
6. Plug the blower back into the receptacle. Refit the blower with front plate back into the housing.
7. Fix the front plate to housing with the 10 screws removed in 2.
8. Refit the air grille.

Spares List

Code	Description	Part Number
1	Universal Boot	4001568
2	Blower Assembly	4001569
3	14" x 6" Air Grille	4001567
4	5" Universal Take Off	4001566



Because our policy is one of constant development and improvement, details may vary slightly from those given in this publication.

Designed and Manufactured by / for
Miles Industries Ltd.

190 - 2255 Dollarton Highway, North Vancouver, B.C., CANADA V7H 3B1

Tel. 604-984-3496 Fax 604-984-0246

www.valorfireplaces.com